

Professional AUTO MAINTENANCE EQUIPMENT

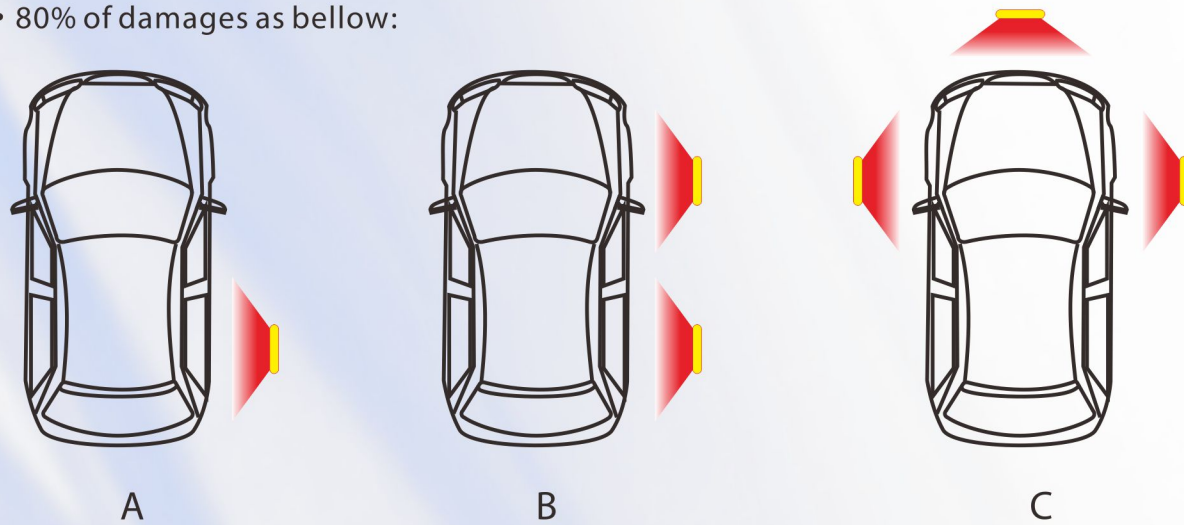
Automobile Paint Curing Equipment

Paint Curing Equipment

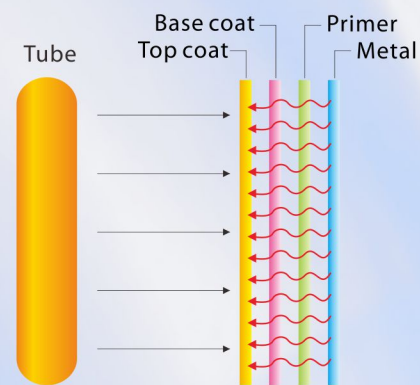
Knowledge

Realised most of the repairs in body shops are small and medium-size damages, mainly on front, back and lateral panels. Traditionally the spray booth is used to dry those small surfaces of the body, generating high cost and long time problems.

• 80% of damages as bellow:



Unlike the spray booths, powerful short wave infra-red light of high emitting efficiency, penetrating directly into the inner paint layer, it accelerates the molecular chemical reaction so that the solvents is agitated and rapidly expelled from the paint coats. Double component paint needs only 15 minutes to dry completely. Polyester putty just needs 5 minutes to dry. The result is a paint coating with a high polish. Strong adhesion coatings greatly reduce wrinkles and fluidity.



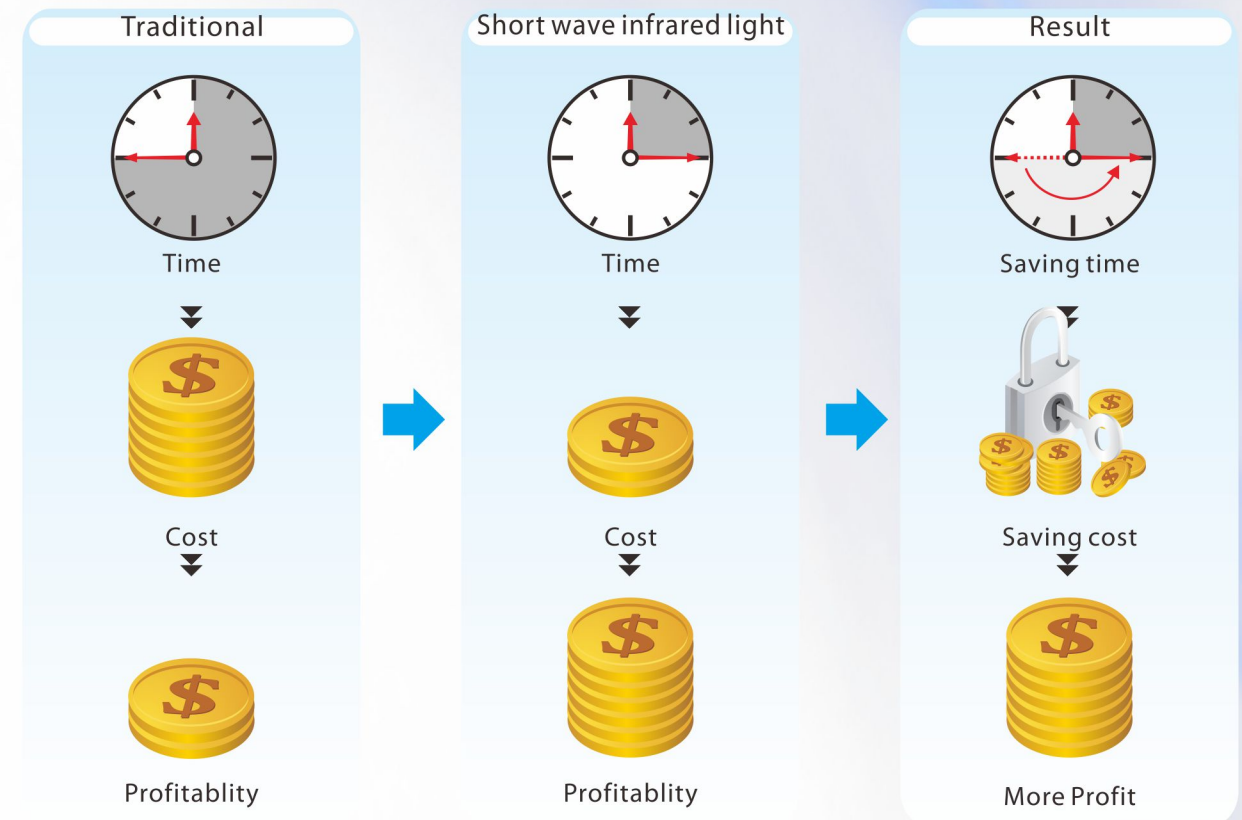
Approximate Times Contrast

	Short Wave	Spray Booth	Without Treatment
Putty	8-10 min	10-20 min	30-60 min
Primer	8-12 min	30-45 min	240 min
Colour Build	8-10 min	30-45 min	240 min
H.s. Colour	8-10 min	30-35 min	210 min
Varnish	8-12 min	30-45 min	240 min

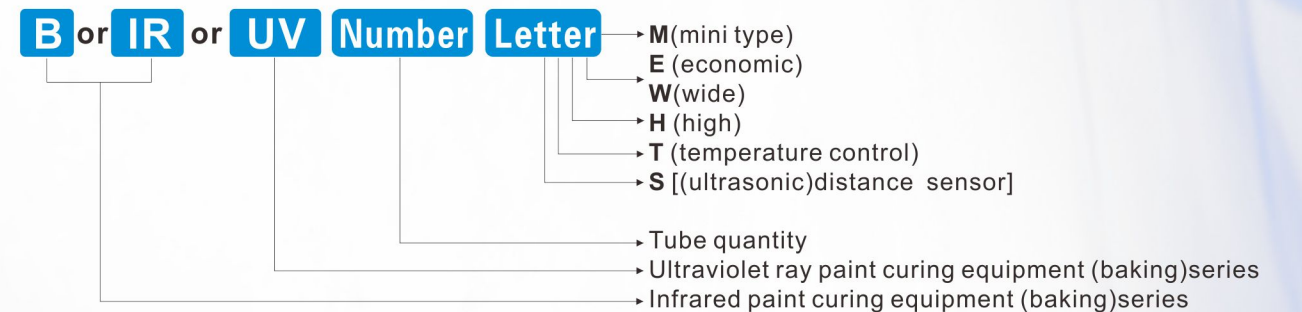
The drying principle for the short wave infrared light

Paint Curing Equipment

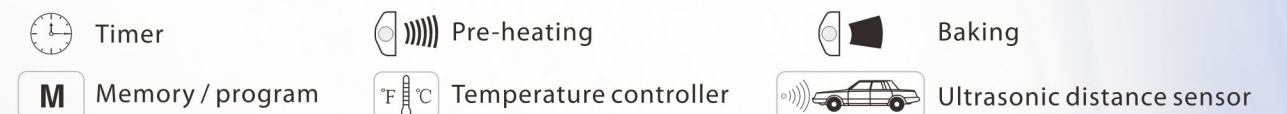
Contrast of traditional and short wave infrared light



The meaning of the numbers and letters on the models

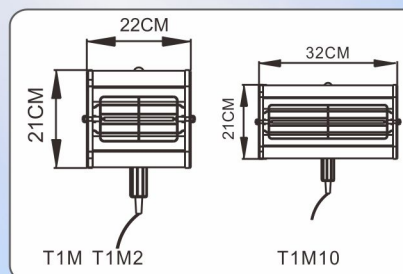


The specification for the Signs



Paint Curing Equipment

- Powerful direct penetration into the inner paint layer; Complete drying of two component paints within 15 minutes and polyester putty within 5 minutes.
- Portable design; convenient to curing feather edges, small spot or drying in hard to reach areas. Switch is next to the handle for convenient start and shut down.
- It is also used to soften trim mouldings when replacing wind screens or removing strips.
- Short wave infrared emitter modules: high light emitting efficiency.
- Switch: CE/UL certified, high quality and stable performance.
- Long life emitter: life span up to 6000 hours.
- Good power cord wiring design.
- Even radiation.
- Time controller.



Drying in hard reach area or small area



Removing strip



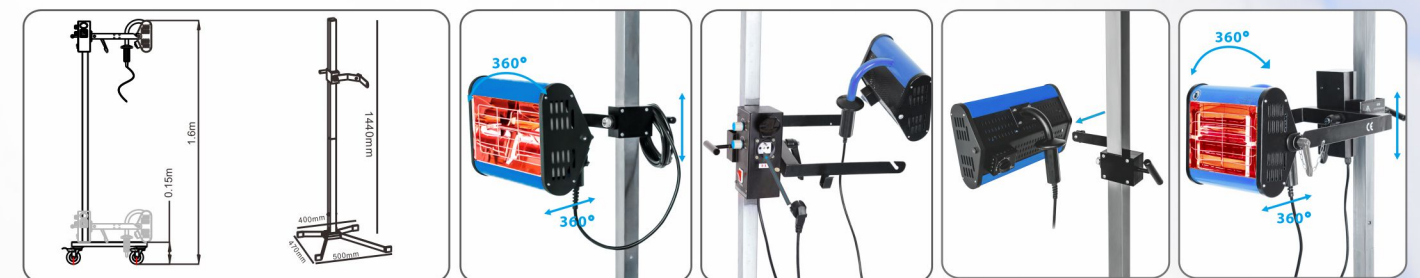
Replacing windscreen



Soften trim moulding

Paint Curing Equipment

- Hold and tight T1M T1M2 T1M10 light easily, and fix any angle you need.
- The timer with pre-heat and full baking function.
- It can supply power for T1M T1M2 T1M10 light.

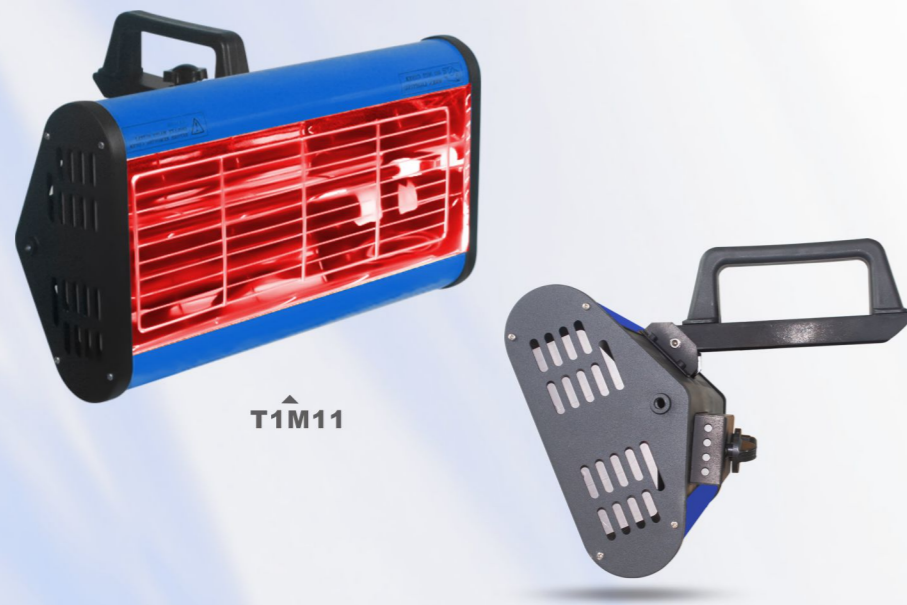


TECHNICAL DATA

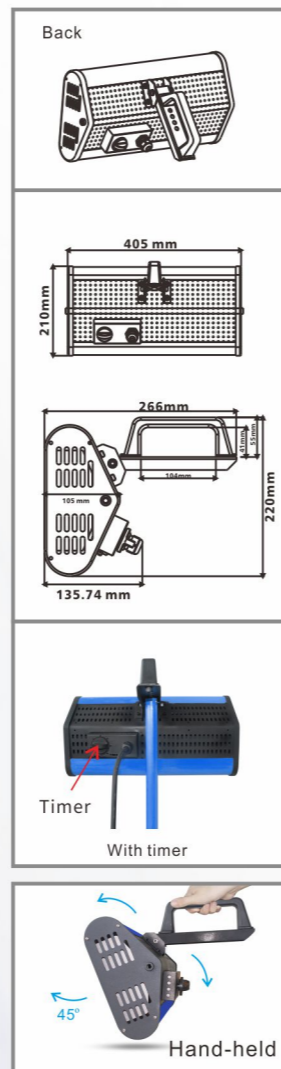
Model	Input voltage (50/60Hz)	Emitter power (W)	Max power (kVA)	Timing range (min)	Baking area (m ²)	Temperature (°C)	Dimensions (m)	Weight (kg)
T1M	110V /230V	1 x 500	0.5	-	0.3 x 0.4	40-100	0.22 x 0.2 x 0.28	2.8
T1M2	110V /230V	1 x 500	0.5	-	0.3 x 0.4	40-100	0.22 x 0.2 x 0.28	2.7
T1M10	110V /230V	1 x 1000	1	-	0.5 x 0.4	40-100	0.32 x 0.21 x 0.3	3.4

Paint Curing Equipment

- Powerful direct penetration into the inner paint layer; Complete drying of two component paints within 15 minutes and polyester putty within 5 minutes.
- Portable design; convenient to curing feather edges, small spot or drying in hard to reach areas.
- It is also used to soften trim mouldings when replacing wind screens or removing strips.
- B1M11 can be adjusted high and turn directions after holding in the stand.
- Short wave infrared emitter module: high light emitting efficiency.
- Long life emitter: life span up to 6000 hours.
- Even radiation.
- With timer.



T1M11



TECHNICAL DATA

Model	Input voltage (50/60Hz)	Emitter power (W)	Max power (kVA)	Timing range (min)	Baking area (m ²)	Temperature (°C)	Dimensions (m)	Weight (kg)
T1M11	110V /230V	1 x 1050	1	-	0.5 x 0.6	40-100	0.32 x 0.21 x 0.30	3.14

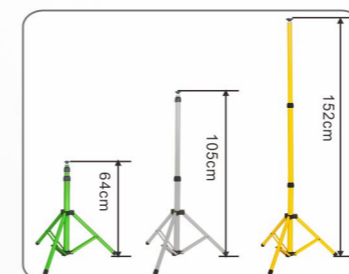
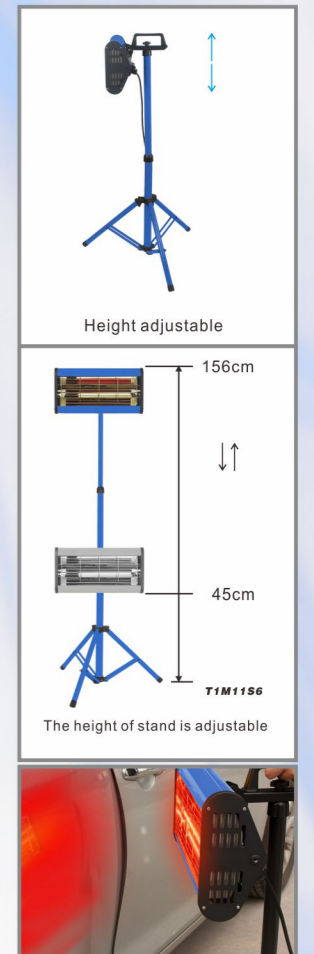
Paint Curing Equipment

- S6 is a supplementary stand for B1M11

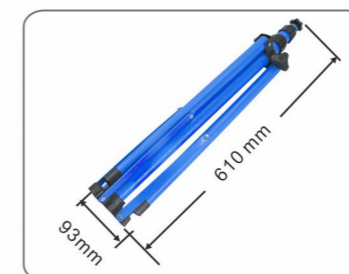


T1M11+S6

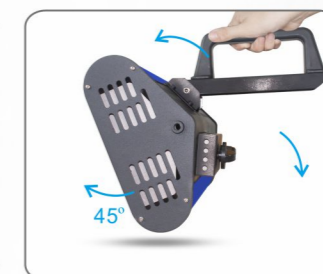
S6



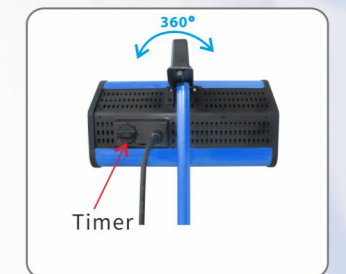
Various colors for choice



Stand can be gathered up



Hand-held



With timer

TECHNICAL DATA

Model	Input voltage (50/60Hz)	Emitter power (W)	Max power (kVA)	Timing range (min)	Baking area (m ²)	Temperature (°C)	Dimensions (m)	Weight (kg)
T1M11S6	110V /230V	1.05	1	-	0.5 x 0.6	40-100	0.6 x 0.26 x 0.27	5.63
S6	-	-	-	-	-	-	0.6 x 0.11 x 0.11	2.1

Paint Curing Equipment

- Powerful direct penetration into the inner paint layer; Complete drying of two component paints within 15 minutes and polyester putty within 5 minutes.
- Key electronic components made in USA/Japan or with CE/UL certification.
- Pre-heat and full baking function to achieve gradual temperature increase.
- Short wave infrared emitter modules: high light emitting efficiency.
- Switch: CE/UL certified, high quality and stable performance.
- Long life emitter: life span up to 6000 hours.
- Even radiation.



T1

CE certificate issued by TÜV Germany	With pre-heating
Stainless post	3"caster with brake
180°	
360°	
<p>66CM 55CM 21CM 154CM 4CM 52CM</p>	
<p>Control panel</p> <p>Pre-heating timer knob Full baking timer knob Power switch</p>	

Paint Curing Equipment

- Powerful direct penetration into the inner paint layer; Complete drying of two component paints within 15 minutes and polyester putty within 5 minutes.
- Key electronic components made in USA/Japan or with CE/UL certification.
- Pre-heat and full baking function to achieve gradual temperature increase.
- Short wave infrared emitter modules: high light emitting efficiency.
- Switch: CE/UL certified, high quality and stable performance.
- Long life emitter: life span up to 6000 hours.
- Even radiation.



T1E

Stainless post	3"caster with brake
180°	
360°	
<p>Control panel</p> <p>TIMER MIN 30</p>	
<p>T1E</p> <p>66CM 55CM 21CM 154CM 4CM 52CM</p>	

TECHNICAL DATA

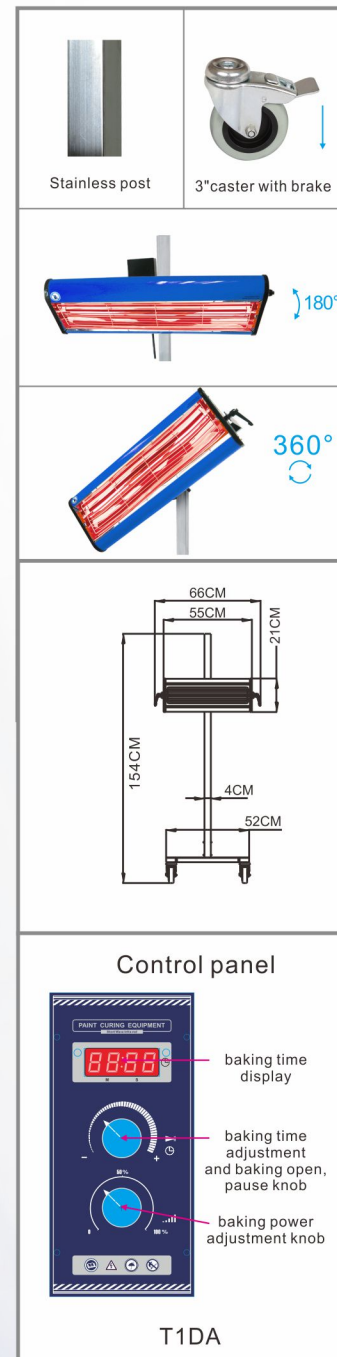
Model	Input voltage (50/60Hz)	Emitter power (W)	Max power (kVA)	Timing range (min)	Baking area (m ²)	Temperature (°C)	Dimensions (m)	Weight (kg)
T1	110V / 230V	1 x 1050	1.05	2x35	0.4 x 0.8	40-100	0.52 x 0.66 x 1.54	14
T1E	110V / 230V	1 x 1050	1.05	30	0.4 x 0.8	40-100	0.52 x 0.66 x 1.54	13.3

Paint Curing Equipment

- Powerful direct penetration into the inner paint layer; Complete drying of two component paints within 15 minutes and polyester putty within 5 minutes.
- Long life emitter: life span up to 6000 hours.
- Even radiation.



T1DA

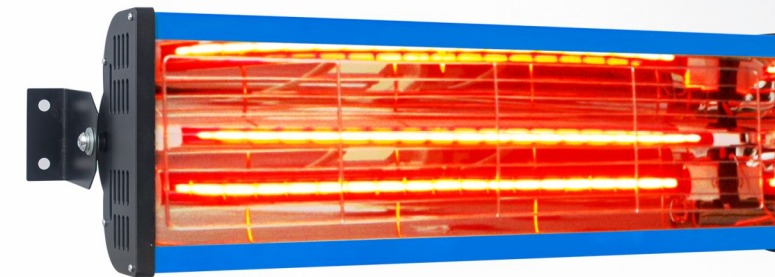


TECHNICAL DATA

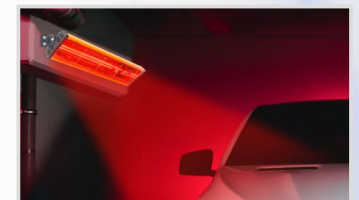
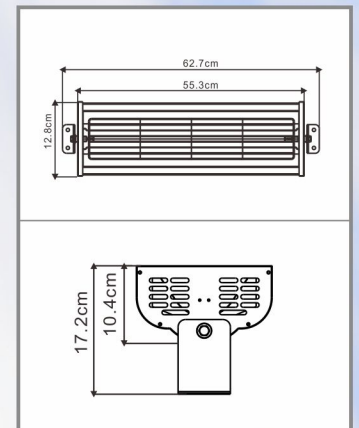
Model	Input voltage (50/60Hz)	Emitter power (W)	Max power (kVA)	Timing range (min)	Baking area (m ²)	Temperature (°C)	Dimensions (m)	Weight (kg)
T1DA	110V /230V	1 x 1050	1.05	60	0.4 x 0.8	40-100	0.52 x 0.66 x 1.54	14

Paint Curing Equipment

- Powerful direct penetration into the inner paint layer; Complete drying of two component paints within 15 minutes and polyester putty within 5 minutes.
- Long life emitter: life span up to 6000 hours.
- Even radiation.



T1N



TECHNICAL DATA

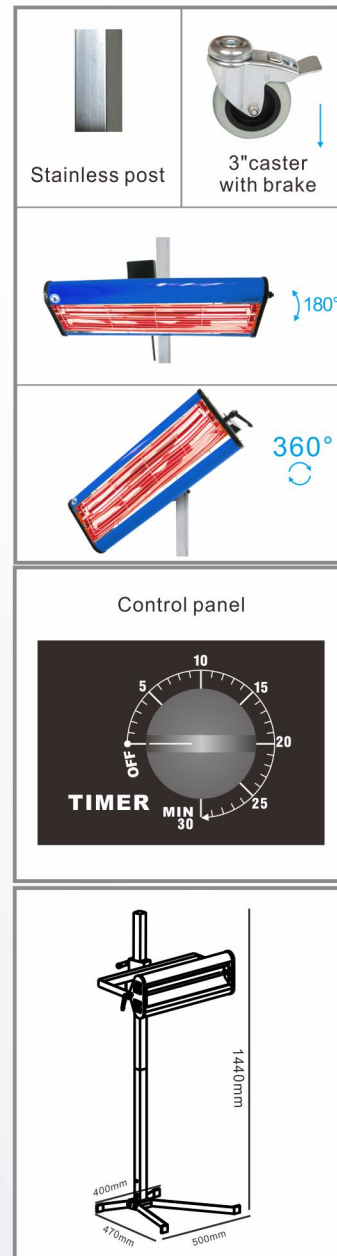
Model	Input voltage (50/60Hz)	Emitter power (W)	Max power (kVA)	Timing range (min)	Baking area (m ²)	Temperature (°C)	Dimensions (m)	Weight (kg)
T1N	110V /230V	1 x 1050	1.05	-	0.4 x 0.8	40-100	0.061 x 0.015 x 0.242	3.26

Paint Curing Equipment

- Powerful direct penetration into the inner paint layer; Complete drying of two component paints within 15 minutes and polyester putty within 5 minutes.
- Short wave infrared emitter modules: high light emitting efficiency.
- Switch: CE/UL certified, high quality and stable performance.
- Long life emitter: life span up to 6000 hours.



T1EX



TECHNICAL DATA

Model	Input voltage (50/60Hz)	Emitter power (W)	Max power (kVA)	Timing range (min)	Baking area (m ²)	Temperature (°C)	Dimensions (m)	Weight (kg)
T1EX	110V /230V	1 x 1050	1.05	30	0.4 x 0.8	40-100	0.55 x 0.47 x 1.44	8

T1EX



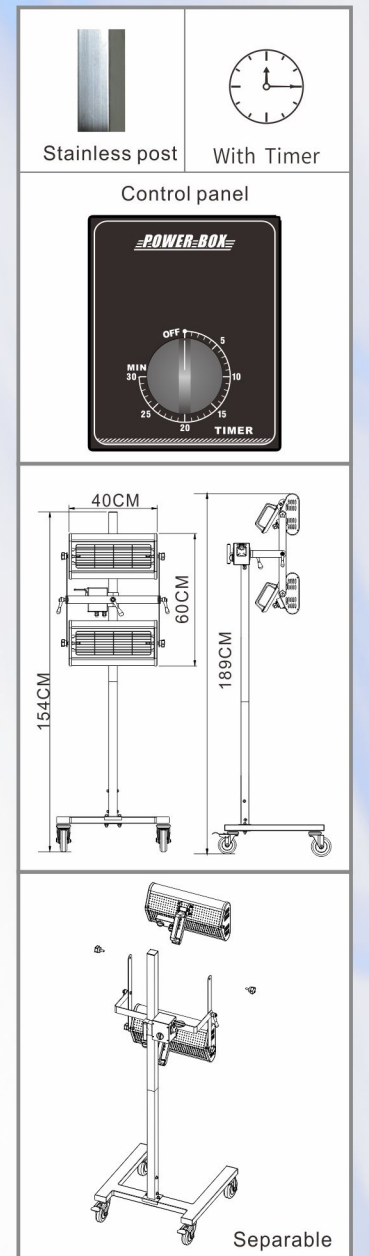
Function: timer, full baking

Paint Curing Equipment

- Powerful direct penetration into the inner paint layer; Complete drying of two component paints within 15 minutes and polyester putty within 5 minutes.
- Key electronic components made in USA/Japan or with CE/UL certification.
- Short wave infrared emitter modules with high light emitting efficiency.
- Switch: CE/UL certified, high quality and stable performance.
- Long life emitter: life span up to 6000 hours.
- Every cassette controlled is independent.
- Separable cassette for flexible baking.
- Good power cord wiring design.
- Even radiation.



T2EM



TECHNICAL DATA

Model	Input voltage (50/60Hz)	Emitter power (W)	Max power (kVA)	Timing range (min)	Baking area (m ²)	Temperature (°C)	Dimensions (m)	Weight (kg)
T2EM	110V /230V	2 x 1050	2.1	30	0.5 x 0.7	40-100	0.52 x 0.40 x 1.89	14

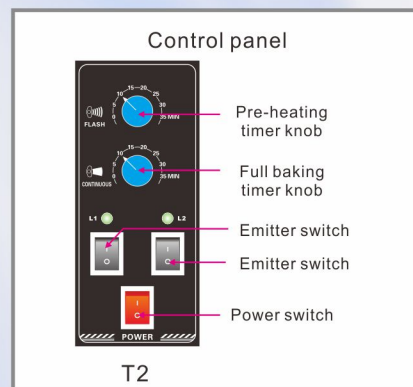
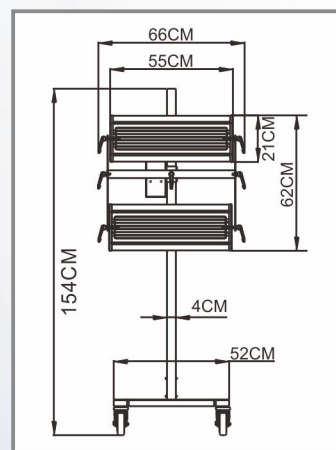
T2EM



Function: timer, full baking

Paint Curing Equipment

- Powerful direct penetration into the inner paint layer; Complete drying of two component paints within 15 minutes and polyester putty within 5 minutes.
- Ultrasonic distance sensor for easy adjustments of distance to reach perfect drying results (B2S).
- Key electronic components made in USA/Japan or with CE/UL certification.
- Pre-heat and full baking function to achieve gradual temperature increase.
- Short wave infrared emitter modules with high light emitting efficiency.
- Switch: CE/UL certified, high quality and stable performance.
- Long life emitter: life span up to 6000 hours.
- Every cassette controlled is independent.
- Even radiation.

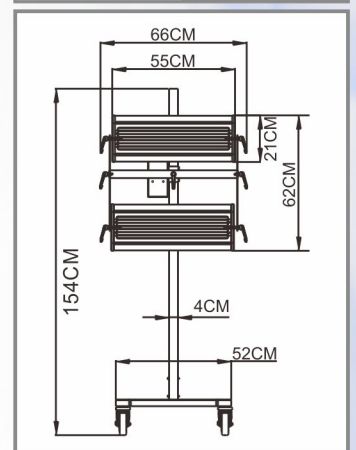
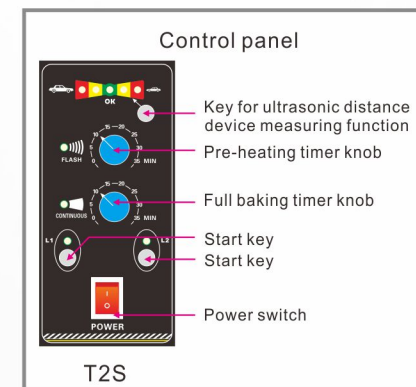
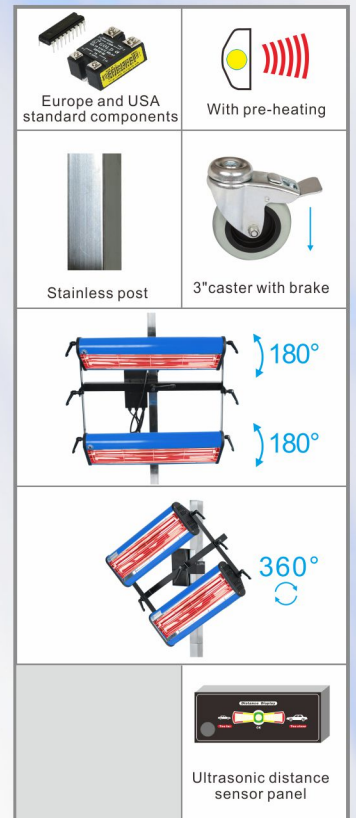


Paint Curing Equipment

- Powerful direct penetration into the inner paint layer; Complete drying of two component paints within 15 minutes and polyester putty within 5 minutes.
- Ultrasonic distance sensor for easy adjustments of distance to reach perfect drying results (B2S).
- Key electronic components made in USA/Japan or with CE/UL certification.
- Pre-heat and full baking function to achieve gradual temperature increase.
- Short wave infrared emitter modules with high light emitting efficiency.
- Switch: CE/UL certified, high quality and stable performance.
- Long life emitter: life span up to 6000 hours.
- Every cassette controlled is independent.
- Even radiation.



40CM



TECHNICAL DATA

Model	Input voltage (50/60Hz)	Emitter power (W)	Max power (kVA)	Timing range (min)	Baking area (m ²)	Temperature (°C)	Dimensions (m)	Weight (kg)
T2	110V/230V	2 x 1050	2.1	2 x 35	0.6 x 0.8	40-100	0.52 x 0.66 x 1.54	17.5
T2S	110V/230V	2 x 1050	2.1	2 x 35	0.6 x 0.8	40-100	0.52 x 0.66 x 1.54	17.5

T2		Functions: pre-heat and full baking
T2S		Functions, and equipped with ultrasonic distance Sensor

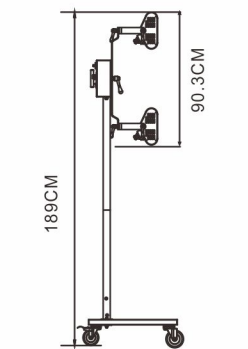
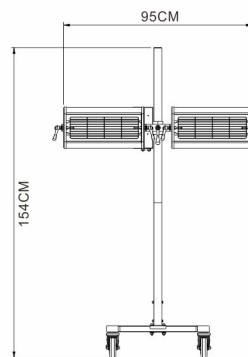
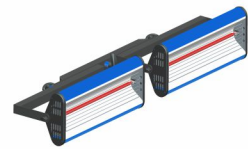
Paint Curing Equipment

- Powerful direct penetration into the inner paint layer; Complete drying of two component paints within 15 minutes and polyester putty within 5 minutes.
- Ultrasonic distance sensor for easy adjustments of distance to reach perfect drying results (B2S).
- Key electronic components made in USA/Japan or with CE/UL certification.
- Pre-heat and full baking function to achieve gradual temperature increase.
- Short wave infrared emitter modules with high light emitting efficiency.
- Switch: CE/UL certified, high quality and stable performance.
- Long life emitter: life span up to 6000 hours.
- Baking power (temperature) is adjustable.
- Every cassette controlled is independent.
- Even radiation.



T2W

Flexible emitters!

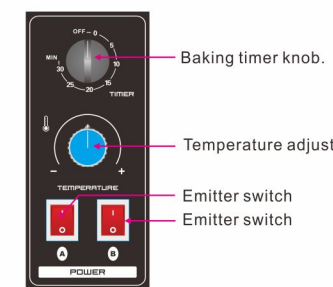


Paint Curing Equipment

- Powerful direct penetration into the inner paint layer; Complete drying of two component paints within 15 minutes and polyester putty within 5 minutes.
- Ultrasonic distance sensor for easy adjustments of distance to reach perfect drying results (B2S).
- Key electronic components made in USA/Japan or with CE/UL certification.
- Pre-heat and full baking function to achieve gradual temperature increase.
- Short wave infrared emitter modules with high light emitting efficiency.
- Switch: CE/UL certified, high quality and stable performance.
- Long life emitter: life span up to 6000 hours.
- Baking power (temperature) is adjustable.
- Every cassette controlled is independent.
- Even radiation.



Control panel

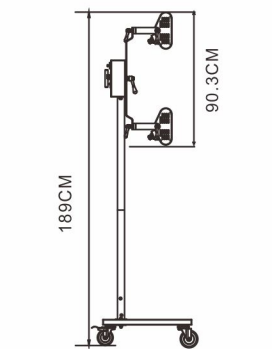
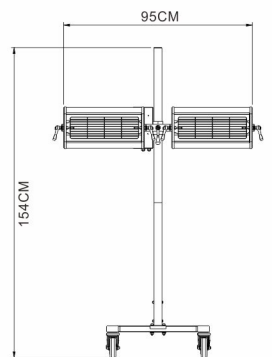
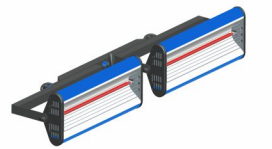


T2EAW



T2EAW

Flexible emitters!



TECHNICAL DATA

Model	Input voltage (50/60Hz)	Emitter power (W)	Max power (kVA)	Timing range (min)	Baking area (m ²)	Temperature (°C)	Dimensions (m)	Weight (kg)
T2W	110V/230V	2 x 1050	2.1	35	1.3 x 0.4 or 0.6 x 1	40-100	0.52 x 0.95 x 1.89	17.5
T2EAW	110V/230V	2 x 1050	2.1	30	1.3 x 0.4 or 0.6 x 1	40-100	0.52 x 0.95 x 1.89	16.3

T2W



Functions: pre-heat and full baking

T2EAW



Function: timer, full baking, power adjustable

Paint Curing Equipment

- Powerful direct penetration into the inner paint layer; Complete drying of two component paints within 15 minutes and polyester putty within 5 minutes.
- Key electronic components made in USA/Japan or with CE/UL certification.
- Short wave infrared emitter modules with high light emitting efficiency.
- Switch: CE/UL certified, high quality and stable performance.
- Long life emitter: life span up to 6000 hours.
- Even radiation.



TECHNICAL DATA

Model	Input voltage (50/60Hz)	Emitter power (W)	Max power (kVA)	Timing range (min)	Baking area (m ²)	Temperature (°C)	Dimensions (m)	Weight (kg)
T2EA	110V/230V	2 x 1050	2.1	30	0.8 x 0.8	40-100	0.52 x 0.66 x 1.54	17.5

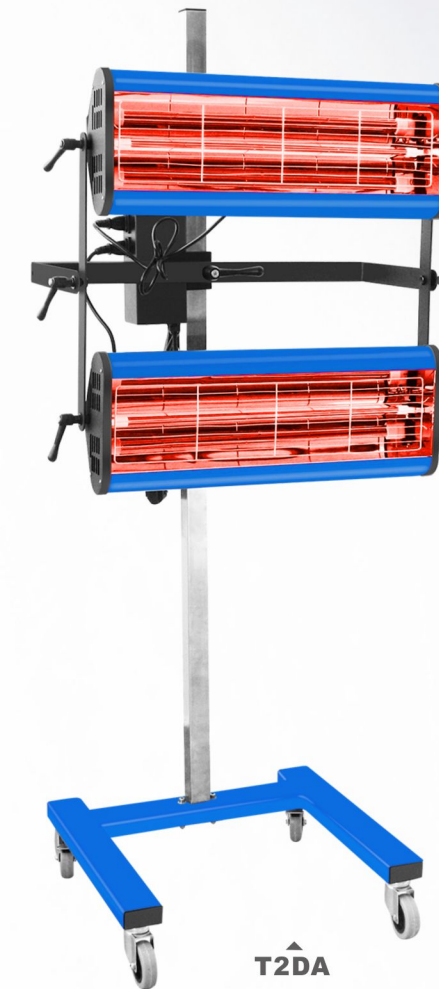
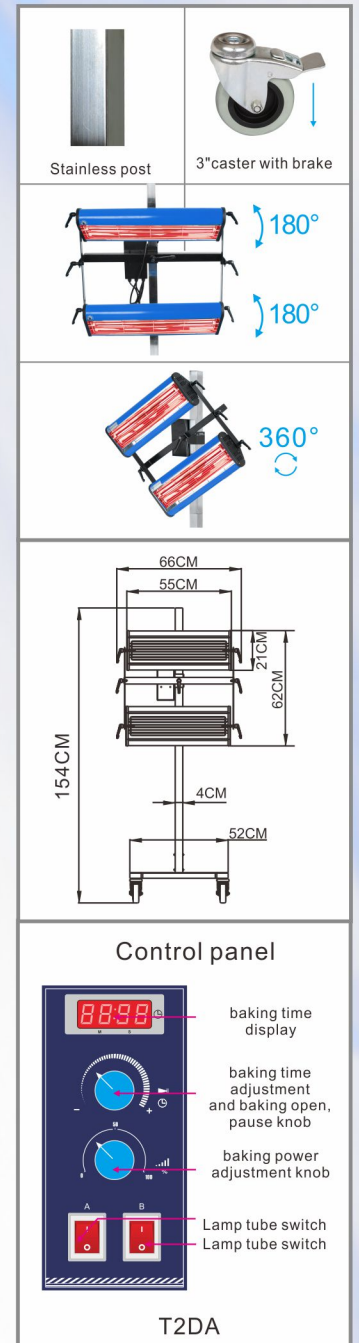
T2EA



Function: timer, full baking, power adjustable

Paint Curing Equipment

- Powerful direct penetration into the inner paint layer; Complete drying of two component paints within 15 minutes and polyester putty within 5 minutes.
- Key electronic components made in USA/Japan or with CE/UL certification.
- Short wave infrared emitter modules with high light emitting efficiency.
- Switch: CE/UL certified, high quality and stable performance.
- Long life emitter: life span up to 6000 hours.
- Even radiation.

Stainless post

3"caster with brake

180°

180°

360°

66CM

55CM

21CM

62CM

154CM

4CM

52CM

Control panel

baking time display

baking time adjustment and baking open, pause knob

baking power adjustment knob

Lamp tube switch

Lamp tube switch

T2DA

TECHNICAL DATA

Model	Input voltage (50/60Hz)	Emitter power (W)	Max power (kVA)	Timing range (min)	Baking area (m ²)	Temperature (°C)	Dimensions (m)	Weight (kg)
T2DA	110V/230V	2 x 1050	2.1	60	0.8 x 0.8	40-100	0.52 x 0.66 x 1.54	18

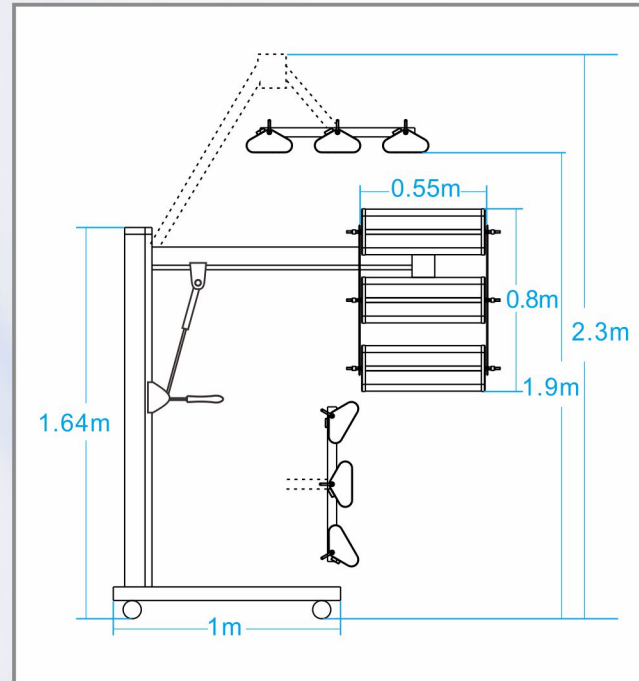
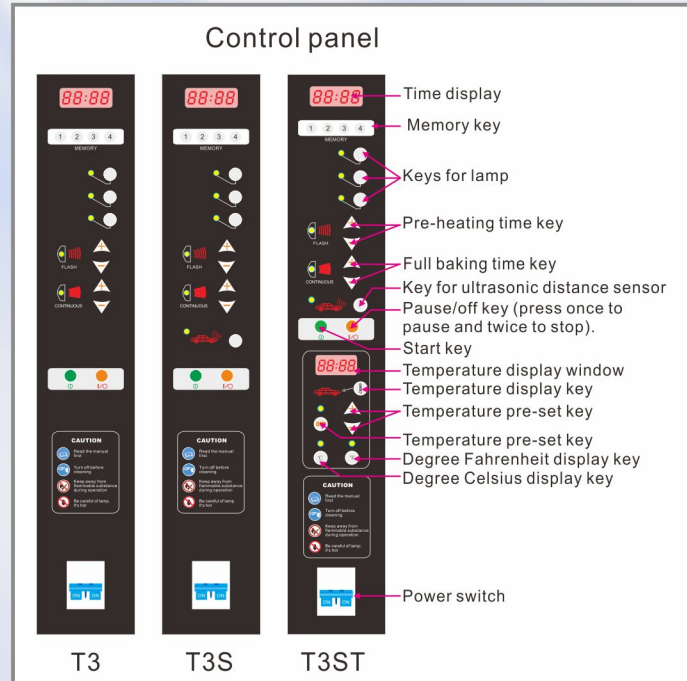
T2DA






Function: timer, full baking, power adjustable

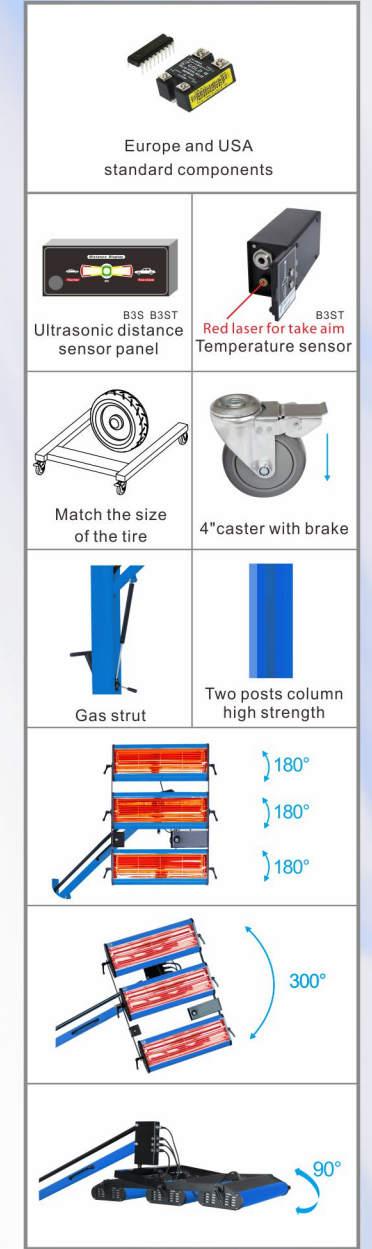
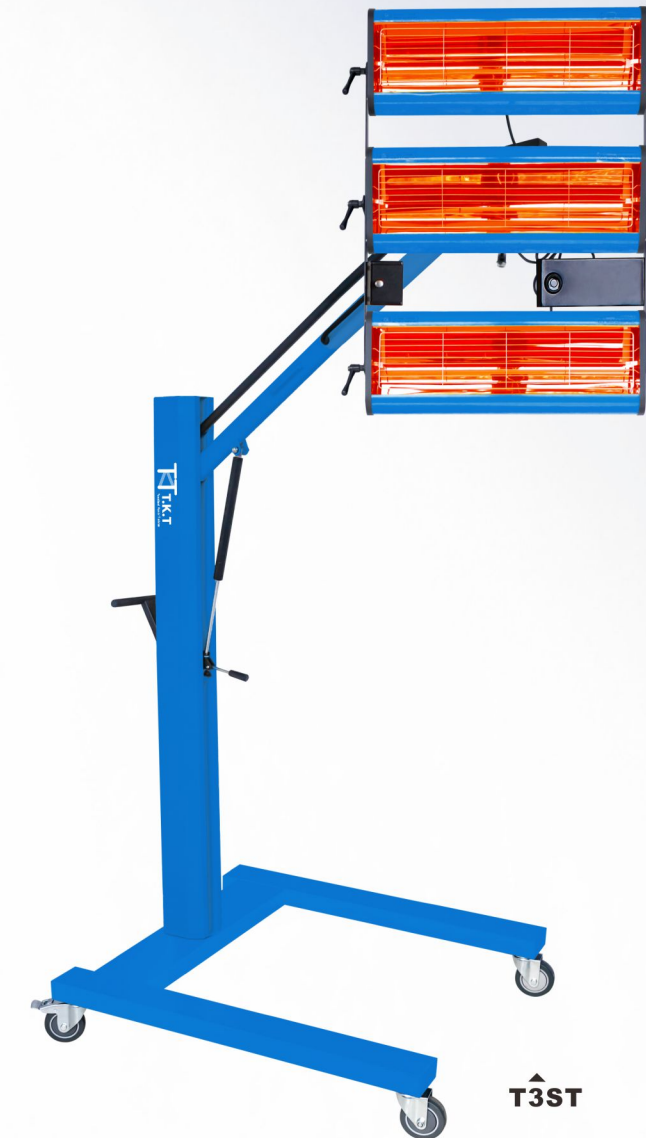
Paint Curing Equipment

- Ultrasonic distance sensor equipped with thermo-compensation, at -40°C~ +85°C with high precision; temperature sensor designed with red laser for aiming.
- Powerful penetration directly into the inner paint layer; completely drying two component paints within 15 minutes and polyester putty within 5 minutes.
- Lamp cassette assembly can be rotated and swivels to achieve best drying position. Easy height adjustment with gas strut.
- New control panel with ergonomic push buttons with life span 10 times compared to mechanical knobs.
- Ideal for polyurethane paint (double components paint), single component paint and water based paint.
- Individual adjustable emitter cassettes has a long life emitter with life span up to 6000 hours.
- Large and wide chassis can horizontally enter the bottom of the car through the tire.
- Key electronic components made in USA/Japan or with CE/UL certification.
- Pre-heat and full baking function to achieve gradual temperature increase.
- Memory function: users can set and store 4 frequently used programs.
- B3ST: Come with ultrasonic distance sensor & temperature control.
- Switch: CE/UL certified, high quality and stable performance.
- Digital displays showing remaining cure time.
- B3S: Come with ultrasonic distance sensor.
- Advance paint curing technology.
- High performance.
- Modern design.



T3		Functions: pre-heat and full baking
T3S		Functions, and equipped with ultrasonic distance sensor
T3ST		Functions, and equipped with ultrasonic distance sensor and temperature controller

Paint Curing Equipment

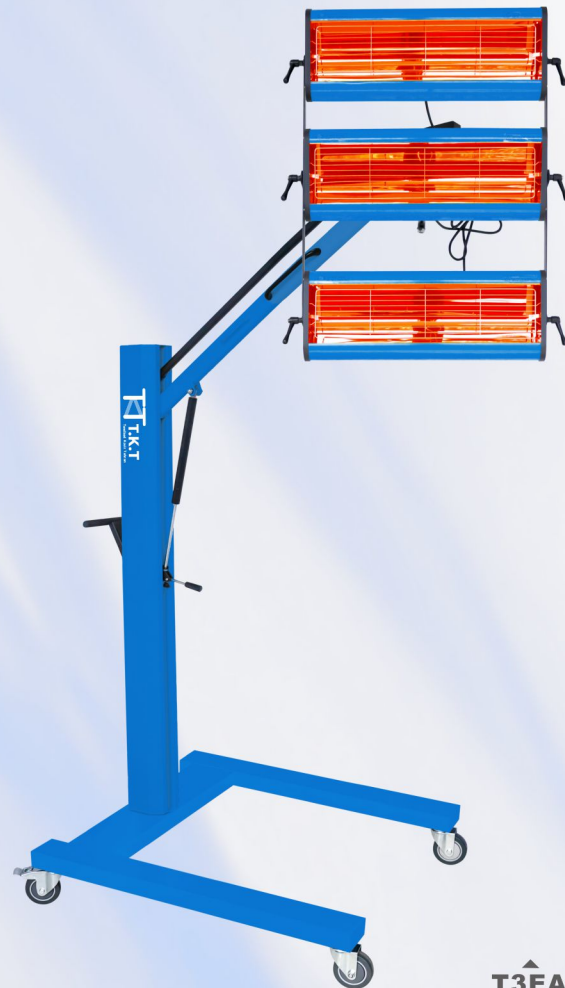


TECHNICAL DATA

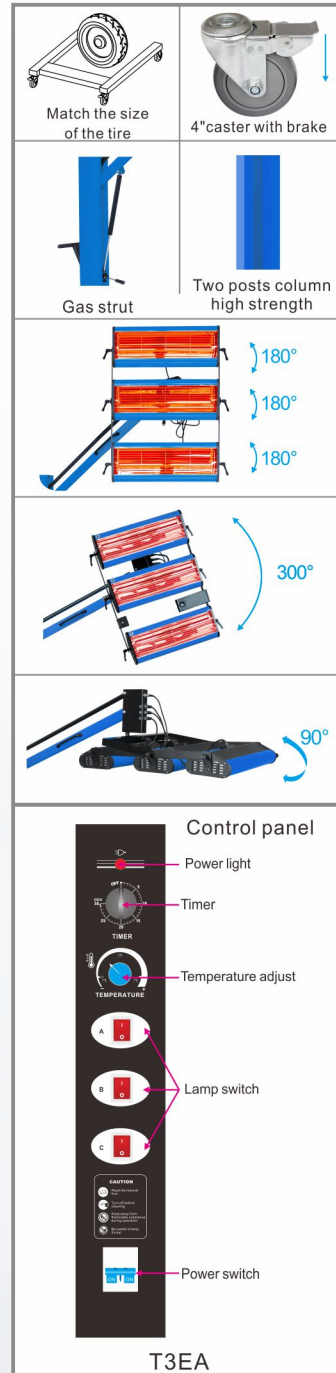
Model	Input voltage (50/60Hz)	Emitter power (W)	Max power (kVA)	Timing range (min)	Baking area (m ²)	Temperature (°C)	Dimensions (m)	Weight (kg)
T3	230V	3 x 1050	3.15	2 x 35	1 x 0.8	40-100	1 x 0.85 x 2.3	45
T3S	230V	3 x 1050	3.15	2 x 35	1 x 0.8	40-100	1 x 0.85 x 2.3	47
T3ST	230V	3 x 1050	3.15	2 x 35	1 x 0.8	40-100	1 x 0.85 x 2.3	48

Paint Curing Equipment

- Powerful direct penetration into the inner paint layer; Complete drying of two component paints within 15 minutes and polyester putty within 5 minutes.
- Key electronic components made in USA/Japan or with CE/UL certification.
- Short wave infrared emitter modules with high light emitting efficiency.
- Switch: CE/UL certified, high quality and stable performance.
- Long life emitter: life span up to 6000 hours.
- Even radiation.



T3EA



TECHNICAL DATA

Model	Input voltage (50/60Hz)	Emitter power (W)	Max power (kVA)	Timing range (min)	Baking area (m ²)	Temperature (°C)	Dimensions (m)	Weight (kg)
T3EA	230V	3 x 1050	3.15	30	1 x 0.8	40-100	1 x 0.85 x 2.3	45

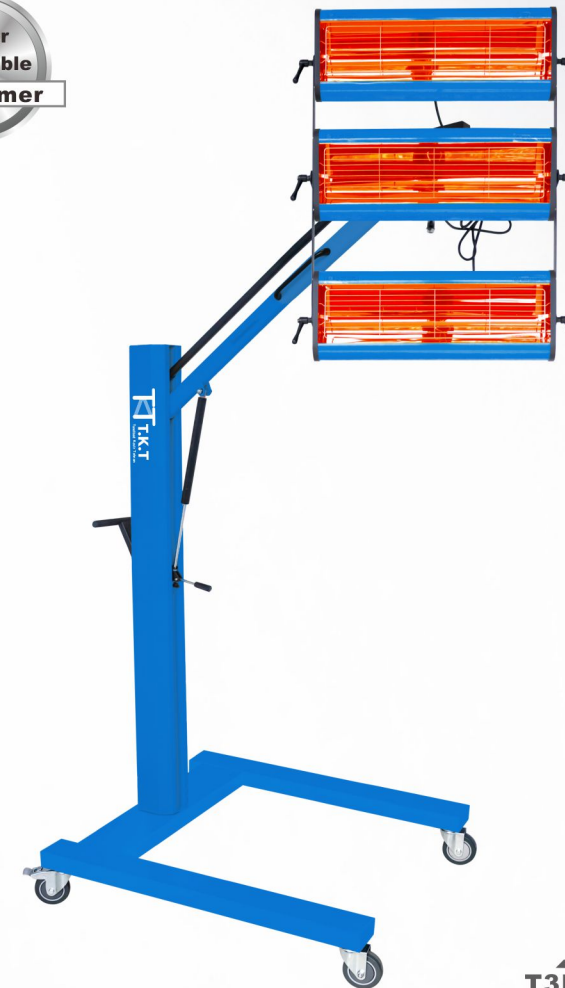
T3EA



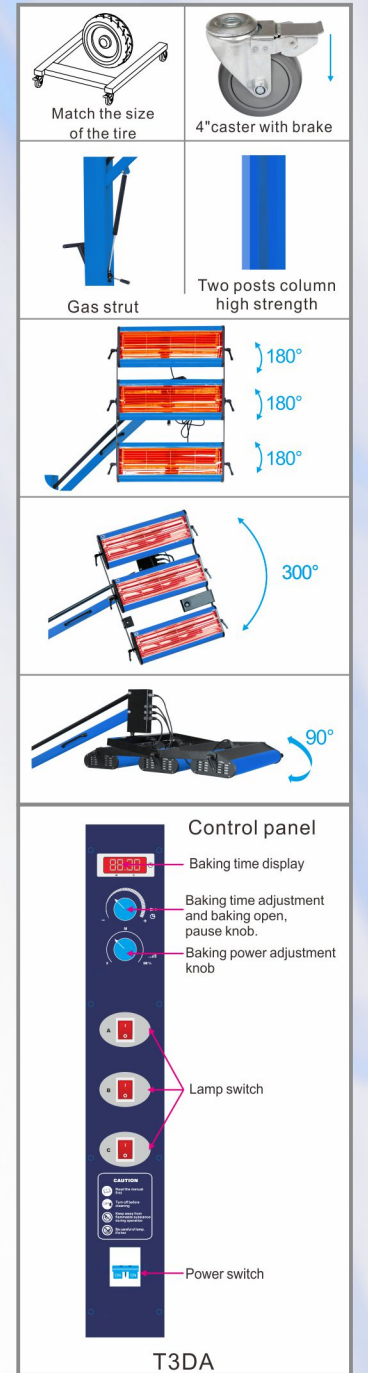
Function: timer, full baking

Paint Curing Equipment

- Powerful direct penetration into the inner paint layer; Complete drying of two component paints within 15 minutes and polyester putty within 5 minutes.
- Key electronic components made in USA/Japan or with CE/UL certification.
- Short wave infrared emitter modules with high light emitting efficiency.
- Switch: CE/UL certified, high quality and stable performance.
- Long life emitter: life span up to 6000 hours.
- Even radiation.



T3DA



TECHNICAL DATA

Model	Input voltage (50/60Hz)	Emitter power (W)	Max power (kVA)	Timing range (min)	Baking area (m ²)	Temperature (°C)	Dimensions (m)	Weight (kg)
T3DA	230V	3 x 1050	3.15	60	1 x 0.8	40-100	1 x 0.85 x 2.3	45

T3DA



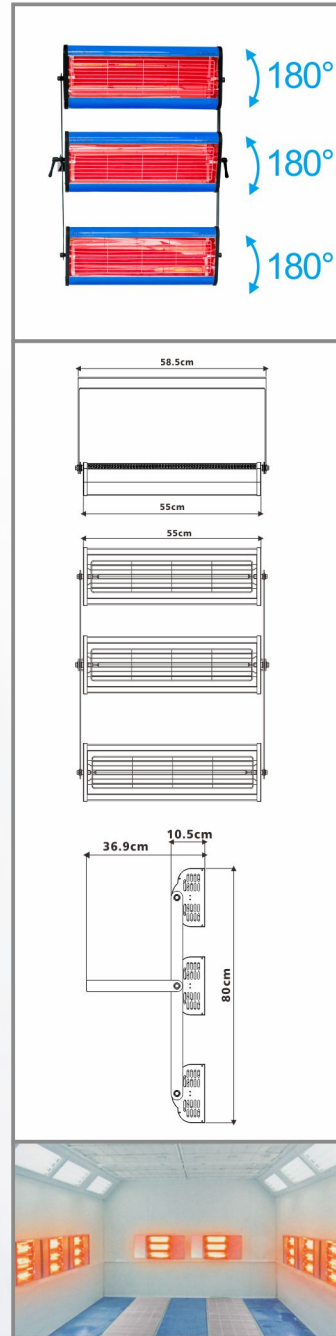
Function: timer, full baking, power adjustable

Paint Curing Equipment

- Powerful direct penetration into the inner paint layer; Complete drying of two component paints within 15 minutes and polyester putty within 5 minutes.
- Key electronic components made in USA/Japan or with CE/UL certification.
- Short wave infrared emitter modules with high light emitting efficiency.
- Switch: CE/UL certified, high quality and stable performance.
- Long life emitter: life span up to 6000 hours.
- Even radiation.



T3N



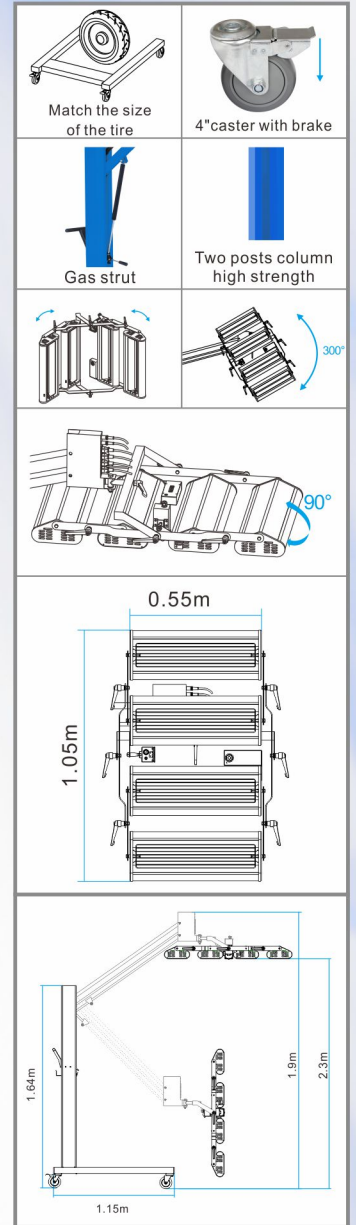
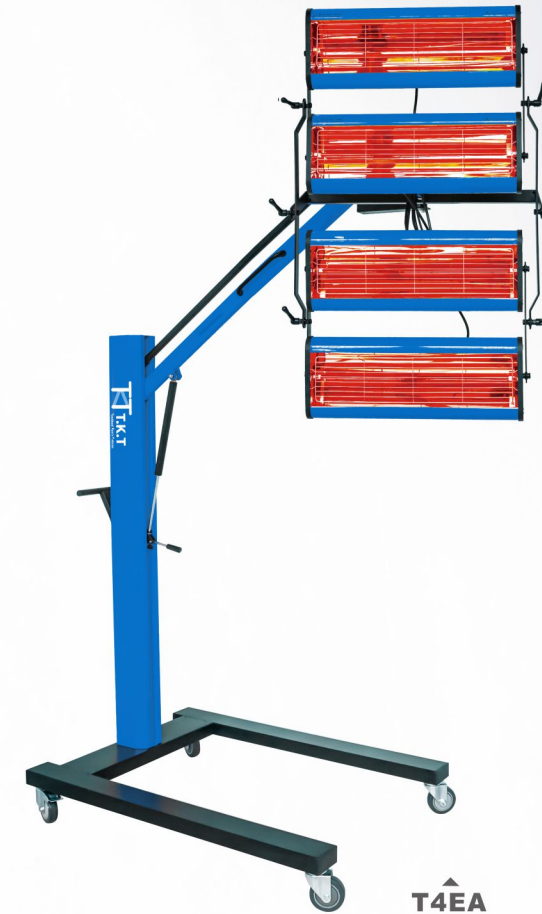
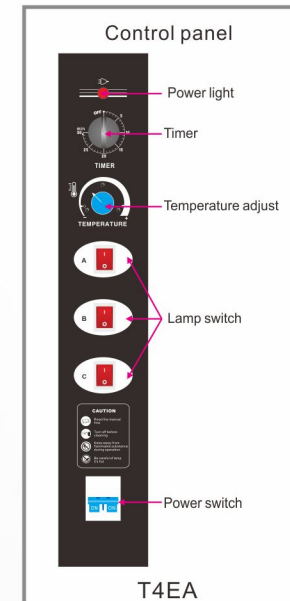
TECHNICAL DATA

Model	Input voltage (50/60Hz)	Emitter power (W)	Max power (kVA)	Timing range (min)	Baking area (m ²)	Temperature (°C)	Dimensions (m)	Weight (kg)
TN	110V/230V	3 x 1050	3.15	-	1 x 0.8	40-100	0.62 x 0.53 x 0.255	10.8

T3N

Paint Curing Equipment

- Powerful penetration directly into the inner paint layer; completely drying two component paints within 15 minutes and polyester putty within 5 minutes.
- Lamp cassette assembly can be rotated and swivels to achieve best drying position. Easy height adjustment with gas strut.
- Ideal for polyurethane paint (double components paint), single component paint and water based paint.
- Individual adjustable emitter cassettes has a long life emitter with life span up to 6000 hours.
- Large and wide chassis can horizontally enter the bottom of the car through the tire.
- Special designed cassettes structure, for conner baking conveniently.
- 4 cassettes controlled separated, they can be lighting one or more.
- Switch: CE/UL certified, high quality and stable performance.
- Advance paint curing technology.



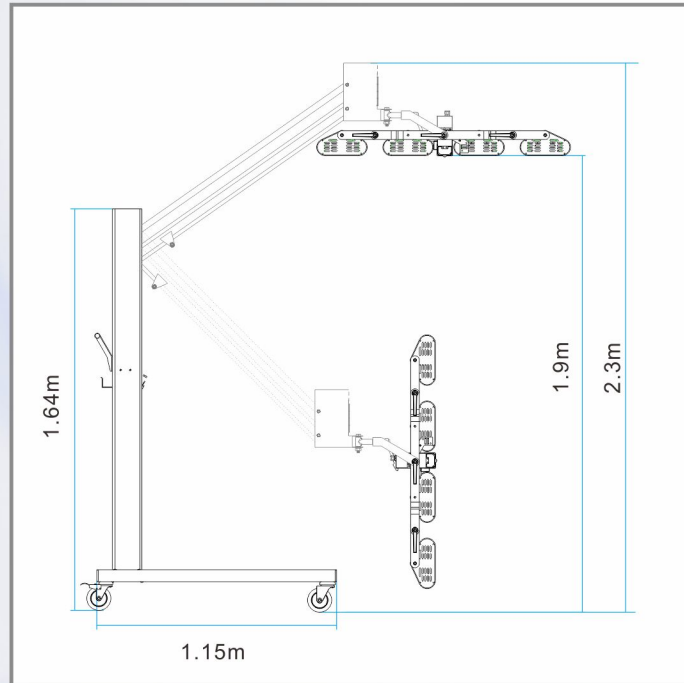
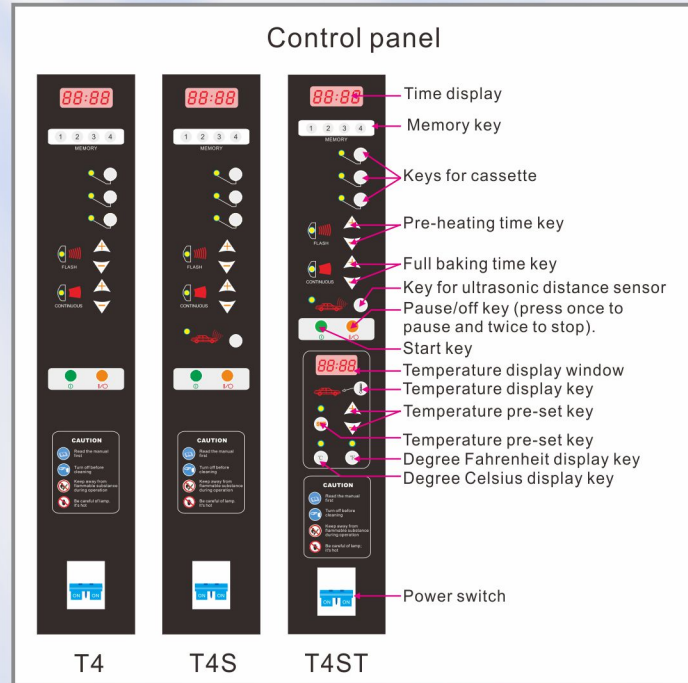
TECHNICAL DATA

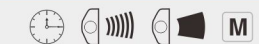


Model	Input voltage (50/60Hz)	Emitter power (W)	Max power (kVA)	Timing range (min)	Baking area (m ²)	Temperature (°C)	Dimensions (m)	Weight (kg)
T4EA	230V	4 x 1050	4.2	30	1.35 x 0.8	40-100	1.15 x 0.85 x 2.3	55

Function: Timer, power adjustable

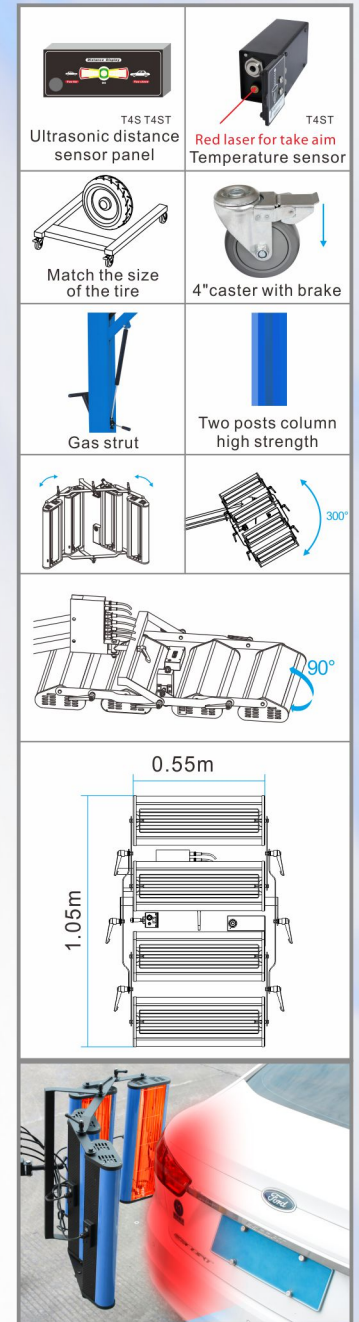
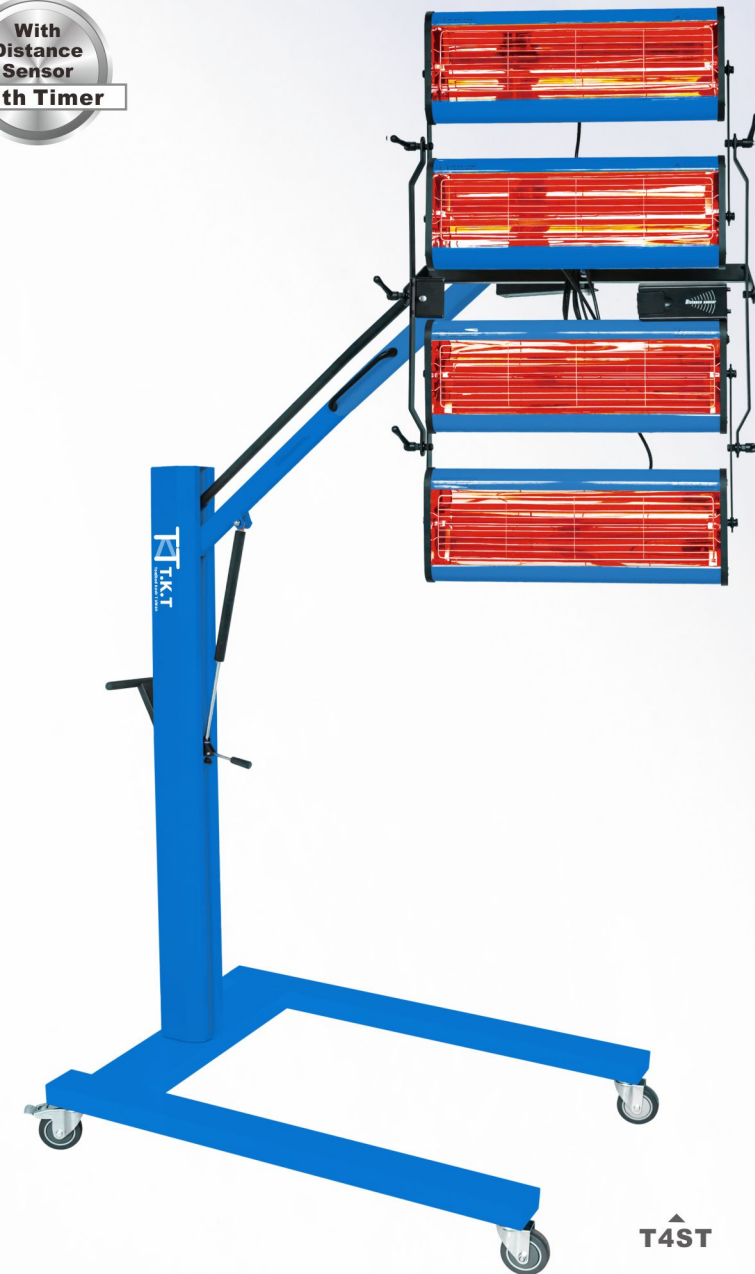
Paint Curing Equipment

- Powerful penetration directly into the inner paint layer; completely drying two component paints within 15 minutes and polyester putty within 5 minutes.
- Lamp cassette assembly can be rotated and swivels to achieve best drying position. Easy height adjustment with gas strut.
- Ideal for polyurethane paint (double components paint), single component paint and water based paint.
- Individual adjustable emitter cassettes has a long life emitter with life span up to 6000 hours.
- B4, B4S, B4ST Pre-heat and full baking function to achieve gradual temperature increase.
- B4, B4S, B4ST memory function: users can set and store 4 frequently used programs.
- Large and wide chassis can horizontally enter the bottom of the car through the tire.
- For energy conservation purpose, the emitters independent controlled.
- Special designed cassettes structure, for canner baking conveniently.
- 4 cassettes controlled separated, they can be lighting one or more.
- Switch: CE/UL certified, high quality and stable performance.



T4		Functions: pre-heat and full baking
T4S		Functions, and equipped with ultrasonic distance sensor
T4ST		Functions, and equipped with ultrasonic distance sensor and temperature controller

Paint Curing Equipment

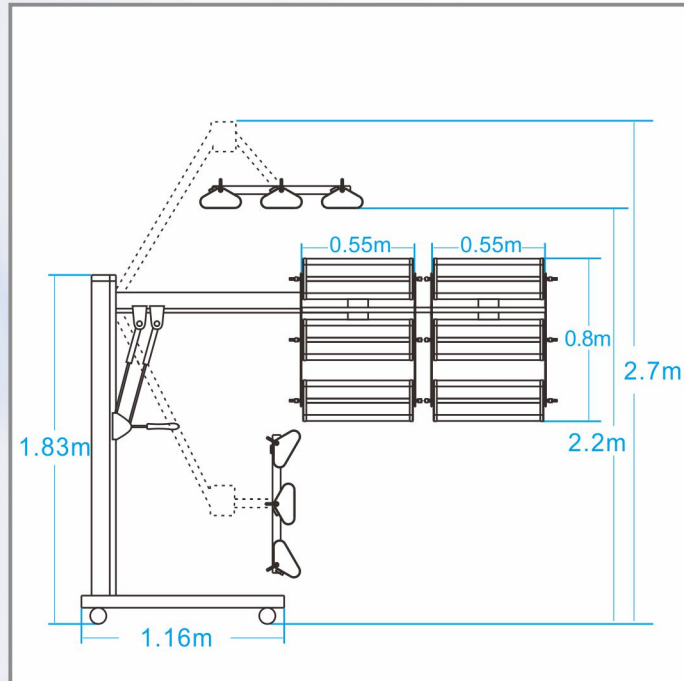
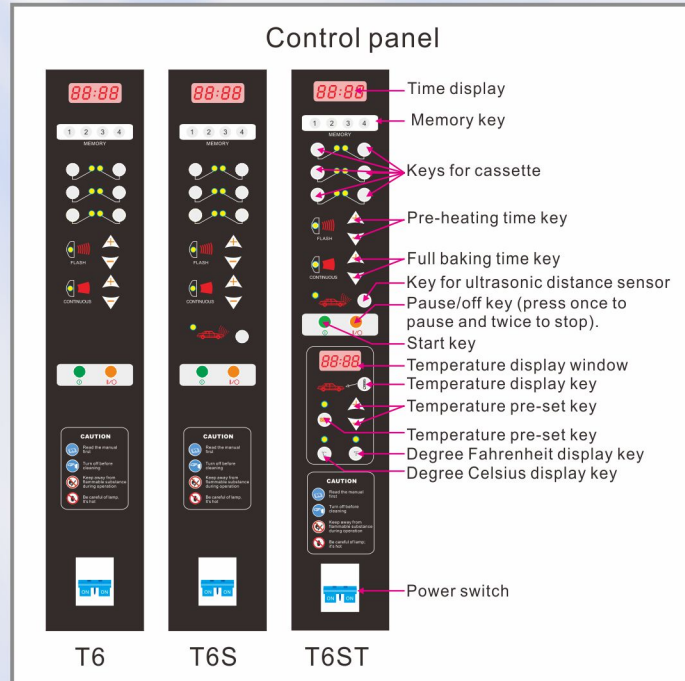


TECHNICAL DATA

Model	Input voltage (50/60Hz)	Emitter power (W)	Max power (kVA)	Timing range (min)	Baking area (m ²)	Temperature (°C)	Dimensions (m)	Weight (kg)
T4	230V	4 x 1050	4.2	2 x 35	1.35 x 0.8	40-100	1 x 0.85 x 2.3	55
T4S	230V	4 x 1050	4.2	2 x 35	1.35 x 0.8	40-100	1 x 0.85 x 2.3	55
T4ST	230V	4 x 1050	4.2	2 x 35	1.35 x 0.8	40-100	1 x 0.85 x 2.3	55

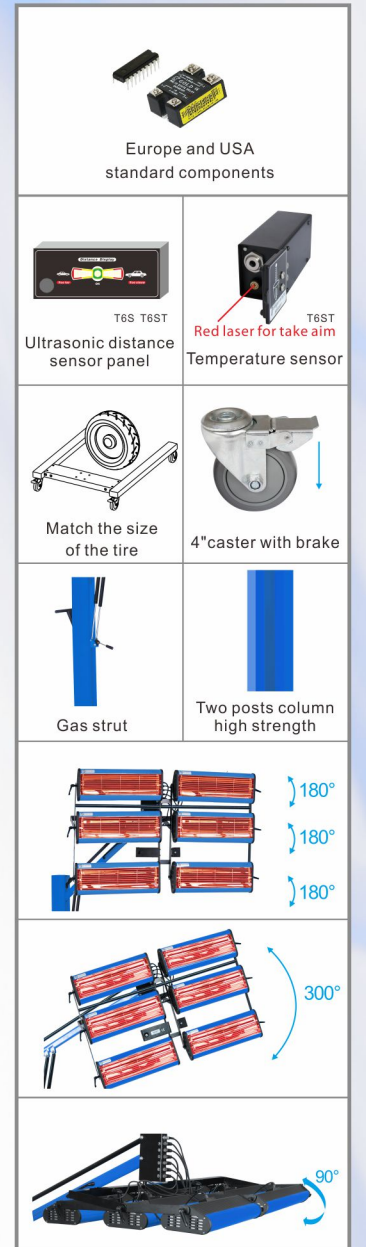
Paint Curing Equipment

- Ultrasonic distance sensor equipped with thermo-compensation, at -40°C~ +85°C with high precision; temperature sensor designed with red laser for aiming.
- Powerful penetration directly into the inner paint layer; completely drying two component paints within 15 minutes and polyester putty within 5 minutes.
- Lamp cassette assembly can be rotated and swivels to achieve best drying position. Easy height adjustment with gas strut.
- New control panel with ergonomic push buttons with life span 10 times compared to mechanical knobs.
- Ideal for polyurethane paint (double components paint), single component paint and water based paint.
- Individual adjustable emitter cassettes has a long life emitter with life span up to 6000 hours.
- Key electronic components made in USA/Japan or with CE/UL certification.
- Pre-heat and full baking function to achieve gradual temperature increase.
- Memory function: users can set and store 4 frequently used programs.
- B6ST: Come with ultrasonic distance sensor & temperature control.
- Switch: CE/UL certified, high quality and stable performance.
- Digital displays showing remaining cure time.
- B6S: Come with ultrasonic distance sensor.
- Advance paint curing technology.
- High performance.
- Modern design.



T6		Basic functions: pre-heat and full baking
T6S		Basic functions, and equipped with ultrasonic distance sensor
T6ST		Basic functions, and equipped with ultrasonic distance sensor and temperature controller

Paint Curing Equipment



TECHNICAL DATA

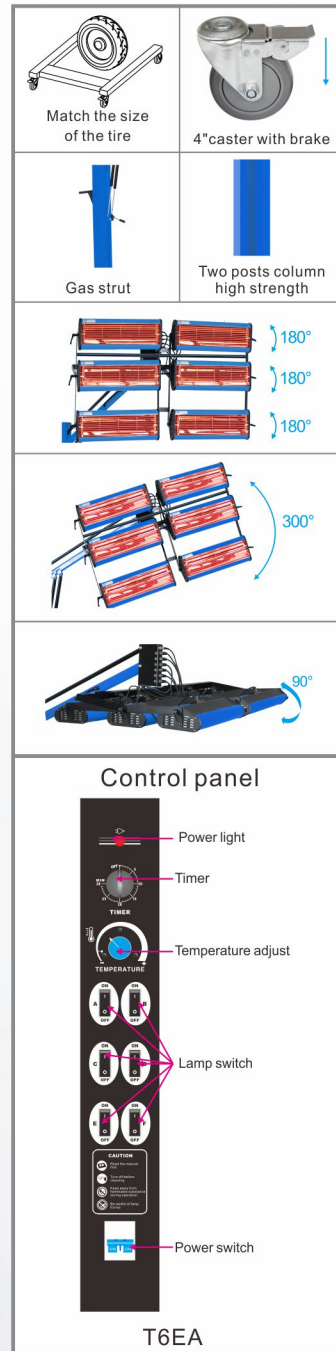
Model	Input voltage (50/60Hz)	Emitter power (W)	Max power (kVA)	Timing range (min)	Baking area (m ²)	Temperature (°C)	Dimensions (m)	Weight (kg)
T6	230V	6 x 1050	6.3	2 x 35	1 x 1.5	40-100	1.16 x 1.3 x 2.7	60.6
T6S	230V	6 x 1050	6.3	2 x 35	1 x 1.5	40-100	1.16 x 1.3 x 2.7	61.6
T6ST	230V	6 x 1050	6.3	2 x 35	1 x 1.5	40-100	1.16 x 1.3 x 2.7	61.6

Paint Curing Equipment

- Powerful penetration directly into the inner paint layer; completely drying two component paints within 15 minutes and polyester putty within 5 minutes.
- Lamp cassette assembly can be rotated and swivels to achieve best drying position. Easy height adjustment with gas strut.
- Ideal for polyurethane paint (double components paint), single component paint and water based paint.
- Individual adjustable emitter cassettes has a long life emitter with life span up to 6000 hours.
- Large and wide chassis can horizontally enter the bottom of the car through the tire.
- Special designed cassettes structure, for conner baking conveniently.
- 4 cassettes controlled separated, they can be lighting one or more.
- Switch: CE/UL certified, high quality and stable performance.
- Advance paint curing technology.



T6EA



TECHNICAL DATA

Model	Input voltage (50/60Hz)	Emitter power (W)	Max power (kVA)	Timing range (min)	Baking area (m ²)	Temperature (°C)	Dimensions (m)	Weight (kg)
T6EA	230V	6 x 1050	6.3	30	1 X 1.5	40-100	1.16 x 1.3 x 2.3	60.6

T6EA



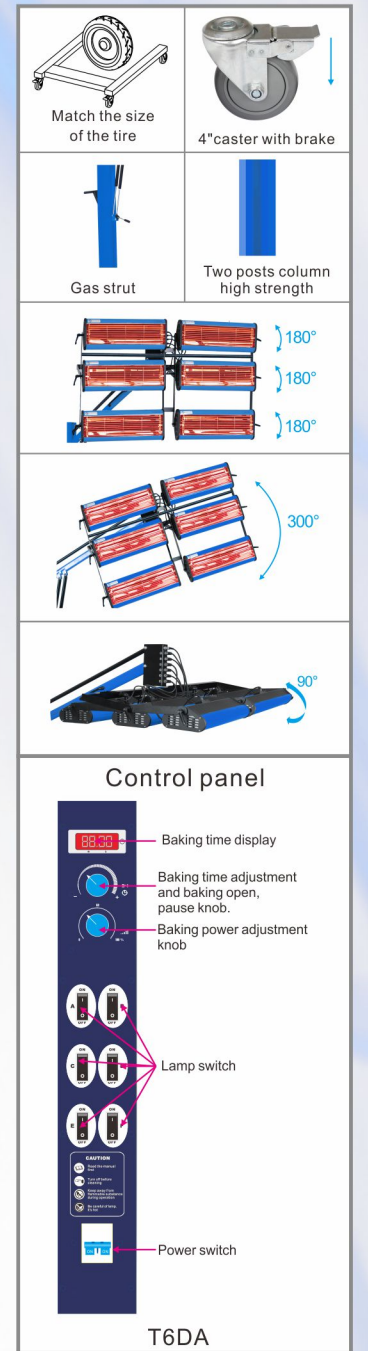
Function: Timer, power adjustable

Paint Curing Equipment

- Powerful penetration directly into the inner paint layer; completely drying two component paints within 15 minutes and polyester putty within 5 minutes.
- Lamp cassette assembly can be rotated and swivels to achieve best drying position. Easy height adjustment with gas strut.
- Ideal for polyurethane paint (double components paint), single component paint and water based paint.
- Individual adjustable emitter cassettes has a long life emitter with life span up to 6000 hours.
- Large and wide chassis can horizontally enter the bottom of the car through the tire.
- Special designed cassettes structure, for conner baking conveniently.
- 4 cassettes controlled separated, they can be lighting one or more.
- Switch: CE/UL certified, high quality and stable performance.
- Advance paint curing technology.



T6DA



TECHNICAL DATA

Model	Input voltage (50/60Hz)	Emitter power (W)	Max power (kVA)	Timing range (min)	Baking area (m ²)	Temperature (°C)	Dimensions (m)	Weight (kg)
T6DA	230V	6 x 1050	6.3	60	1 X 1.5	40-100	1.16 x 1.3 x 2.3	60.6

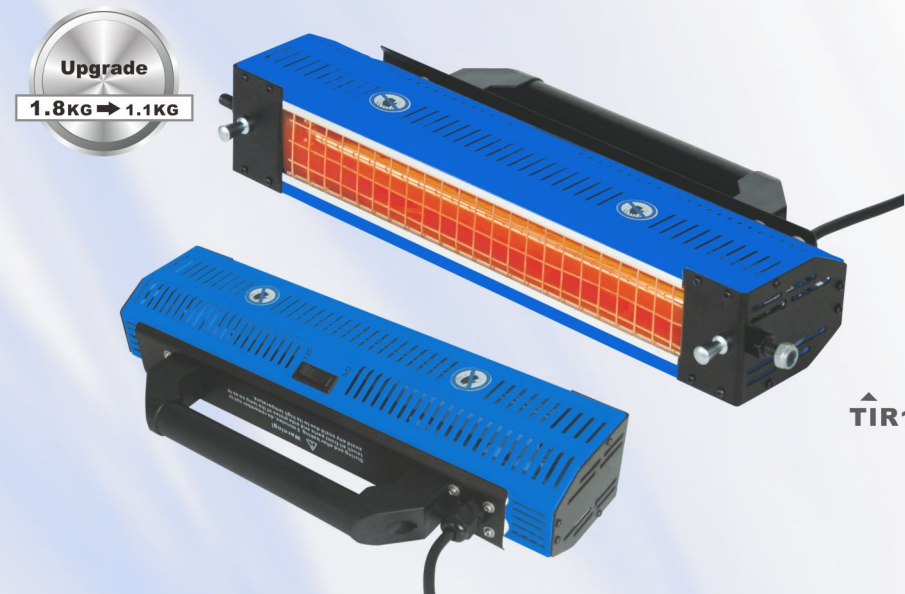
T6DA



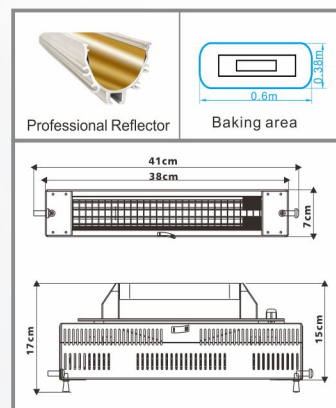
Function: timer, full baking, power adjustable

IR Series Paint Curing Equipment

- Can be used to soften trim moldings during windscreens replacement or strips removal. Heat up aluminum to repair aluminum-body vehicles, pull a dent, or remove ornaments and adhesives.
- Portable design; easy to cure edges, small spots, and hard-to-reach areas. Switch is located right next to the handle for ease of operation.
- Powerful direct penetration into the inner layer of paint. Completely dries two-pack paints within 15 minutes and polyester putty in 5 minutes.
- Short wave infrared emitter modules with high light emitting efficiency.
- Long life emitter: life span up to 6,000 hours.
- Safe handle to avoid high temperature.
- Even heat radiation.



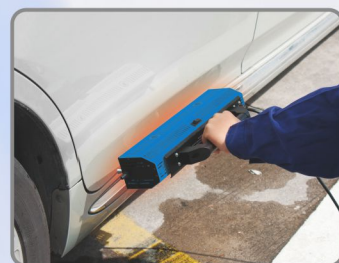
TIR1 Back



TIR1



Drying in hard reach area or small area



Removing strip



Replacing windscreen



Soften trim moulding

TECHNICAL DATA

Model	Input voltage (50/60Hz)	Emitter power (W)	Max power (kVA)	Timing range (min)	Baking area (m ²)	Temperature (°C)	Dimensions (m)	Weight (kg)
TIR 1	110V/230V	1 x 1000	-	-	0.6 X 0.38	40-100	0.07 x 0.38 x 0.17	2.1

IR Series Paint Curing Equipment

- IR1 light volume can be freely adjusted, and turned to any directions after holding in the stand.
- Hold and tight IR1 light easily, and fix any angle you need.
- The timer with pre-heat and full baking function.
- It can supply power for IR1 light.



TIR1+S3

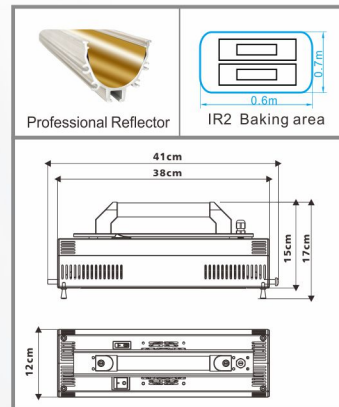


IR Series Paint Curing Equipment

- Can be used to soften trim moldings during windscreens replacement or strips removal. Heat up aluminum to repair aluminum-body vehicles, pull a dent, or remove ornaments and adhesives.
- Portable design; easy to cure edges, small spots, and hard-to-reach areas. Switch is located right next to the handle for ease of operation.
- Powerful direct penetration into the inner layer of paint. Completely dries two-pack paints within 15 minutes and polyester putty in 5 minutes.
- Short wave infrared emitter modules with high light emitting efficiency.
- Long life emitter: life span up to 6,000 hours.
- Safe handle to avoid high temperature.
- Even heat radiation.

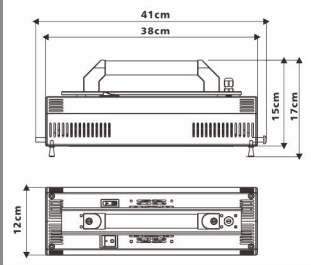


IR2 Tubes Separable control

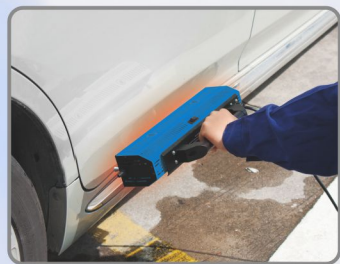


Professional Reflector

IR2 Baking area



Drying in hard reach area or small area



Removing strip



Replacing windscreen



Softening trim moulding

TECHNICAL DATA

Model	Input voltage (50/60Hz)	Emitter power (W)	Max power (kVA)	Timing range (min)	Baking area (m ²)	Temperature (°C)	Dimensions (m)	Weight (kg)
TIR 2	110V	1600	-	-	0.6 X 0.7	40-100	0.47 x 0.15 x 0.67	3.2
TIR 2	230V	2000	-	-	0.6 X 0.7	40-100	0.47 x 0.15 x 0.67	3.2

IR Series Paint Curing Equipment

- IR2 light volume can be freely adjusted, and turned to any directions after holding in the stand.
- Hold and tight IR2 light easily, and fix any angle you need.
- The timer with pre-heat and full baking function.
- It can supply power for IR2 light.



TIR2+S3



TIR2+S3

Functions: pre-heat and full baking

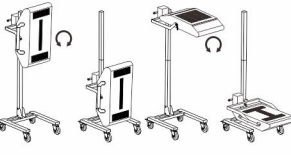
IR Series Paint Curing Equipment

- Powerful penetration directly into the inner layer of paint; completely drying two pack paints within 15 minutes and polyester putty within 5 minutes.
- Key electronic components made in the USA and Japan and with CE/UL certification.
- Short wave infrared emitter modules with high light emitting efficiency.
- Switch: CE/UL certified, high quality and stable performance.
- Pre-heat function to achieve gradual temperature increase.
- Fan cooling in tube cassette.



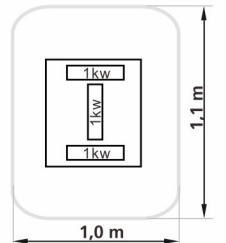
TIR3E

Special design for position settings



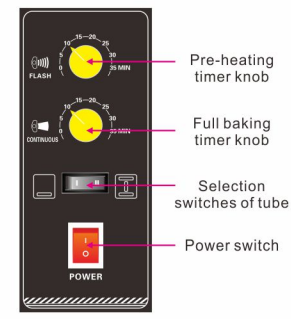
ONLY Control panel ALL
Tubes can be controlled separately

Baking area



2m

Control panel



TECHNICAL DATA

Model	Input voltage (50/60Hz)	Current (A)	Output power (kW)	Timing range (min)	Baking area (m ²)	Fuse (A)	Dimensions (m)	Weight (kg)
TIR3E	230V	13A	3	2 X 35	1.0 X 1.1	16A	0.52 x 0.6 x 1.52	40

TIR3E 

Functions: pre-heat and full baking

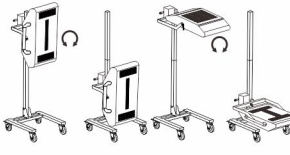
IR Series Paint Curing Equipment

- Powerful penetration directly into the inner layer of paint; completely drying two pack paints within 15 minutes and polyester putty within 5 minutes.
- Key electronic components made in the USA and Japan and with CE/UL certification.
- Short wave infrared emitter modules with high light emitting efficiency.
- Switch: CE/UL certified, high quality and stable performance.
- Pre-heat function to achieve gradual temperature increase.
- Fan cooling in tube cassette.



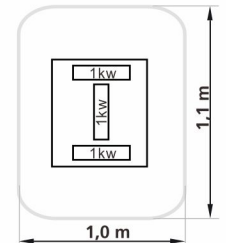
TIR3ES

Special design for position settings



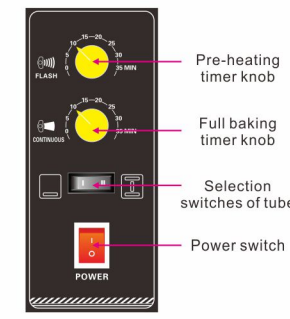
ONLY Control panel ALL
Tubes can be controlled separately

Baking area



2m

Control panel



TECHNICAL DATA

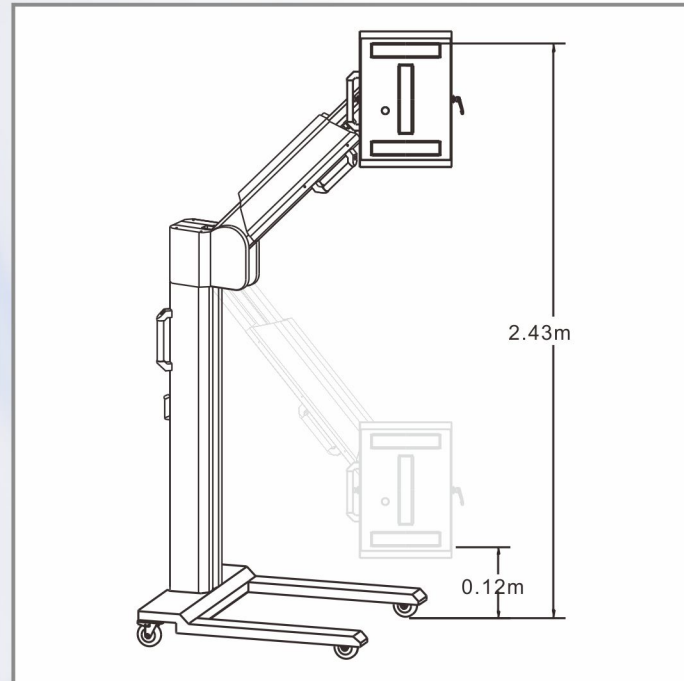
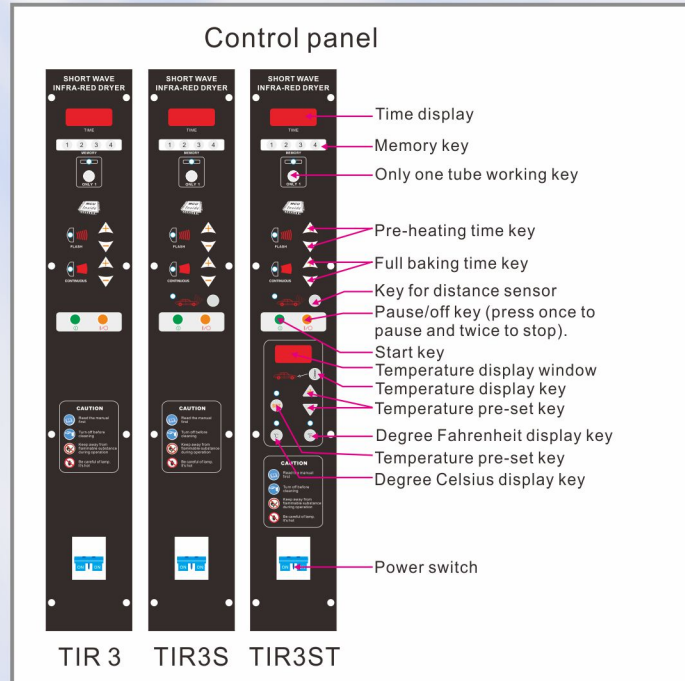
Model	Input voltage (50/60Hz)	Current (A)	Output power (kW)	Timing range (min)	Baking area (m ²)	Fuse (A)	Dimensions (m)	Weight (kg)
TIR3ES	230V	13A	3	2 X 35	1.0 X 1.1	16A	0.52 x 0.6 x 1.52	40

TIR3ES 

Functions plus equipped with ultrasonic distance sensor

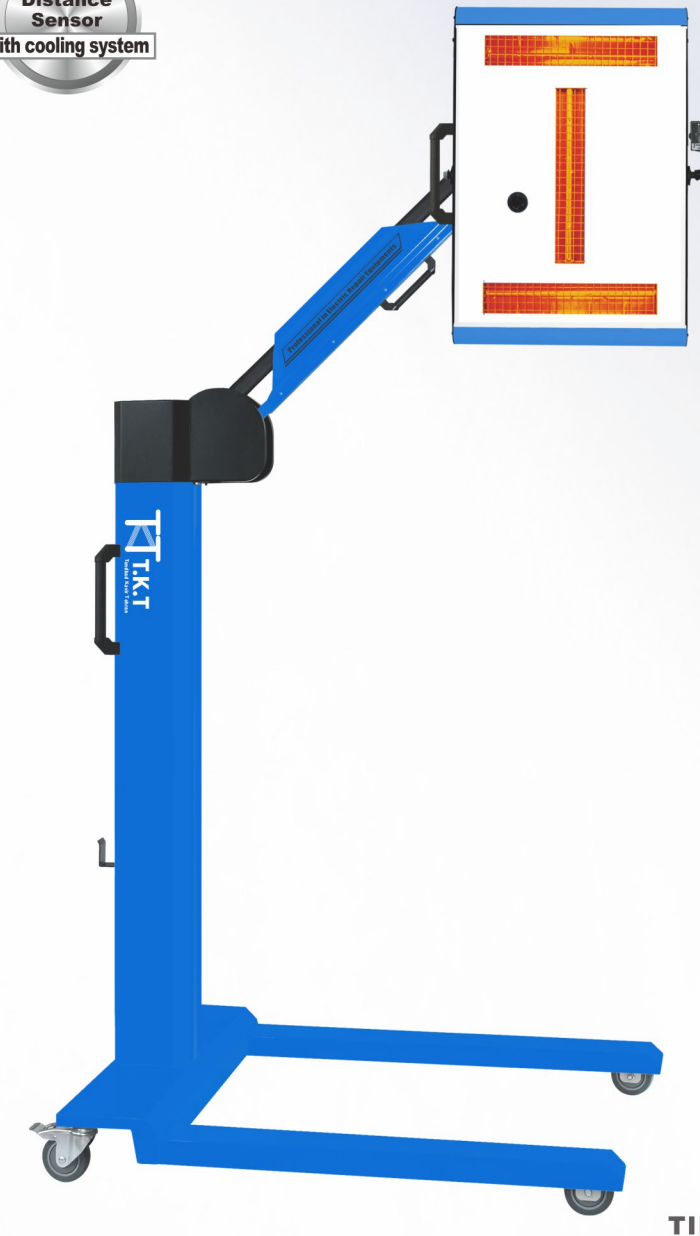
IR Series Paint Curing Equipment

- Ultrasonic distance sensor equipped with thermal compensation, from -40°C to +85°C with excellent precision. Temperature sensor has a red laser for aiming.
- Penetrates directly into the inner paint layer; completely drying two pack paints within 15 minutes and putty within five minutes.
- Cassette lamp assembly can be rotated and swivels to achieve best drying position. Easy height adjustment with two gas struts.
- Key electronic components made in USA/Japan or with CE/UL certification.
- Pre-heat and full baking functions to achieve gradual temperature increase.
- IR3ST: With an ultrasonic distance sensor and temperature control.
- Ideal for single and two components paint, including waterborne.
- Up to four programs can be stored in the memory.
- Digital display showing curing and remaining time.
- IR3S: With an ultrasonic distance sensor.
- High quality CE/UL certified switch.



TIR 3		Functions: pre-heat and full baking
TIR3S		Functions plus equipped with ultrasonic distance sensor
TIR3ST		Functions plus equipped with ultrasonic distance sensor and temperature controller

IR Series Paint Curing Equipment

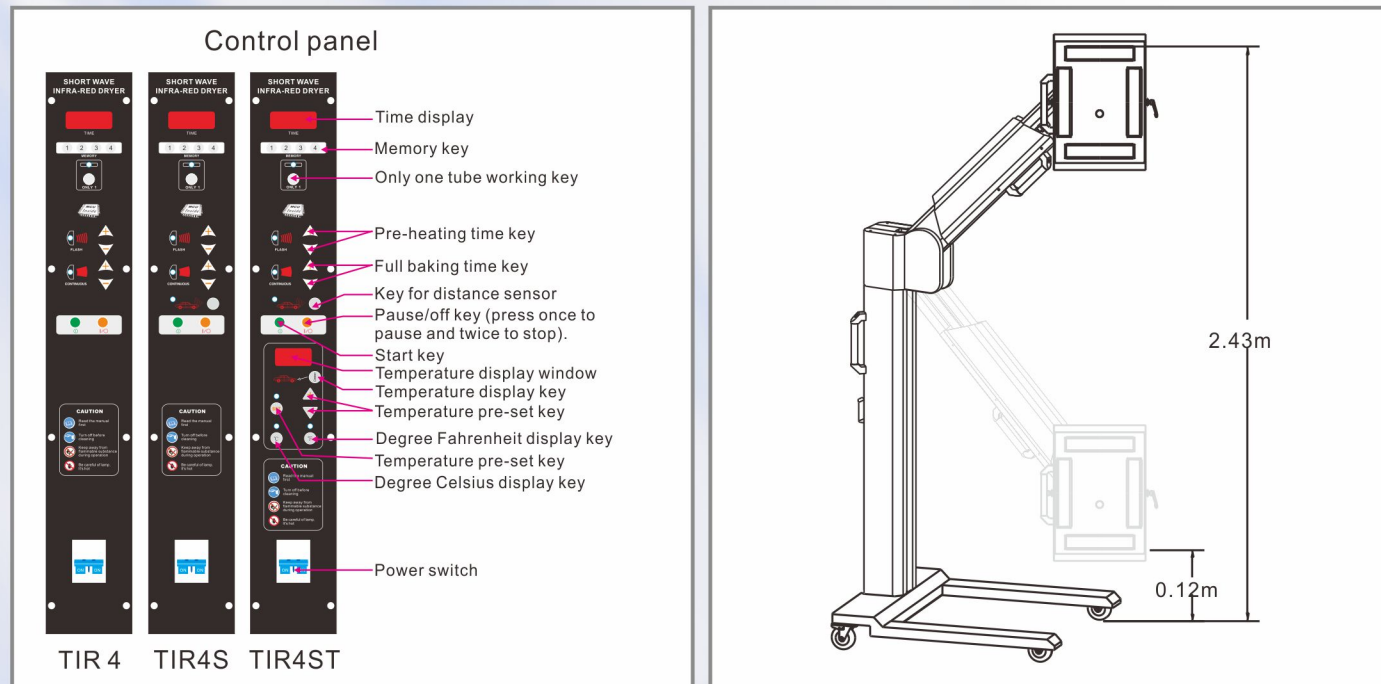


TECHNICAL DATA

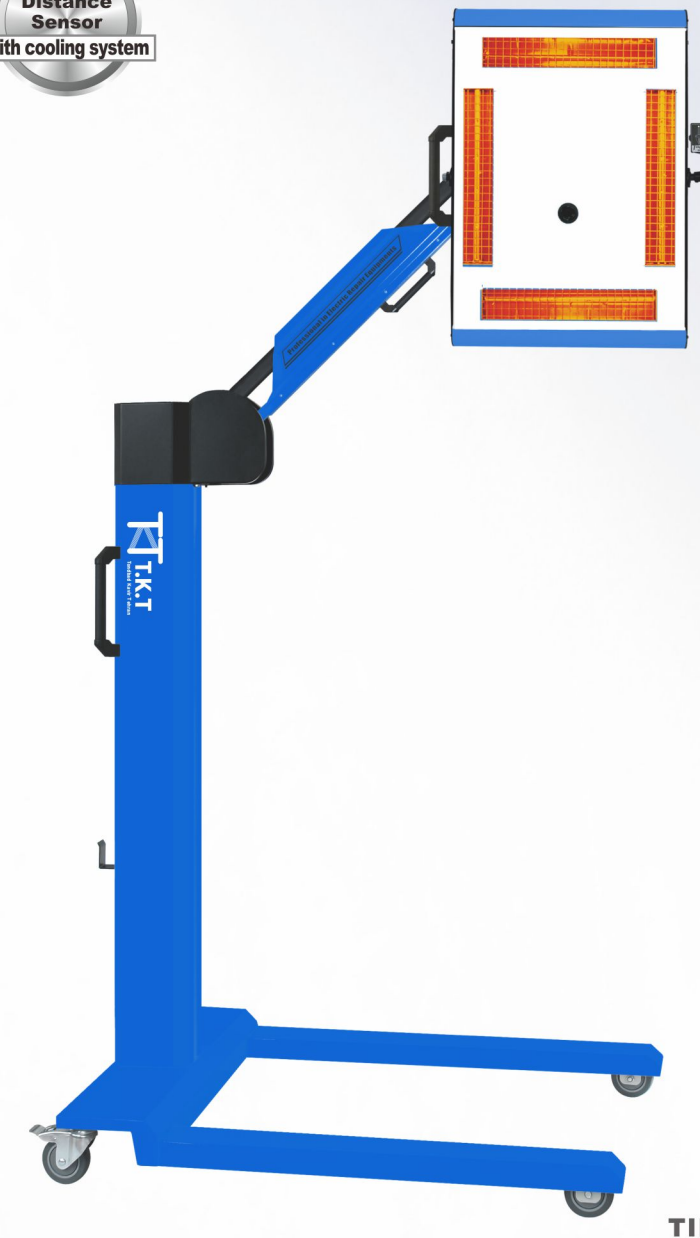
Model	Input voltage (50/60Hz)	Emitter power (W)	Max power (kVA)	Timing range (min)	Baking area (m ²)	Temperature (°C)	Dimensions (m)	Weight (kg)
TIR 3	230V 1Ph	3000	3	2 x 35	1 x 1.1	40-100	1.2 x 0.55 x 2.43	60.5
TIR3S	230V 1Ph	3000	3	2 x 35	1 x 1.1	40-100	1.2 x 0.55 x 2.43	61
TIR3ST	230V 1Ph	3000	3	2 x 35	1 x 1.1	40-100	1.2 x 0.55 x 2.43	61

IR Series Paint Curing Equipment

- Ultrasonic distance sensor equipped with thermal compensation, from -40°C to +85°C with excellent precision. Temperature sensor has a red laser for aiming.
- Penetrates directly into the inner paint layer; completely drying two pack paints within 15 minutes and putty within five minutes.
- Cassette lamp assembly can be rotated and swivels to achieve best drying position. Easy height adjustment with two gas struts.
- Key electronic components made in USA/Japan or with CE/UL certification.
- Pre-heat and full baking functions to achieve gradual temperature increase.
- IR4ST: With an ultrasonic distance sensor and temperature control.
- Ideal for single and two components paint, including waterborne.
- Up to four programs can be stored in the memory.
- Digital display showing curing and remaining time.
- IR4S: With an ultrasonic distance sensor.
- High quality CE/UL certified switch.



IR Series Paint Curing Equipment



TECHNICAL DATA

Model	Input voltage (50/60Hz)	Emitter power (W)	Max power (kVA)	Timing range (min)	Baking area (m ²)	Temperature (°C)	Dimensions (m)	Weight (kg)
TIR 4	230V 1Ph	6000	6	2 x 35	1.1 x 1.5	40-100	1.2 x 2.2 x 2.43	60.5
TIR4S	230V 1Ph	6000	6	2 x 35	1.1 x 1.5	40-100	1.2 x 2.2 x 2.43	61
TIR4ST	230V 1Ph	6000	6	2 x 35	1.1 x 1.5	40-100	1.2 x 2.2 x 2.43	61

TIR 4 

Functions: pre-heat and full baking

TIR4S 

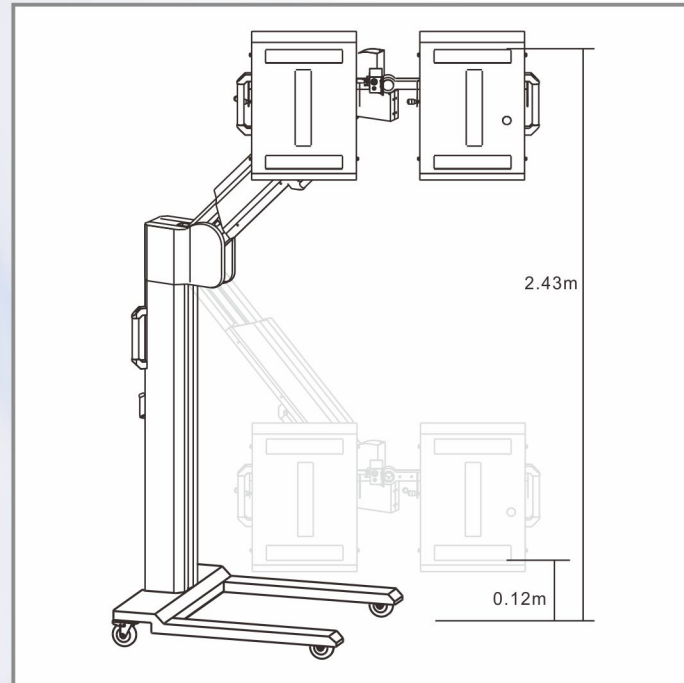
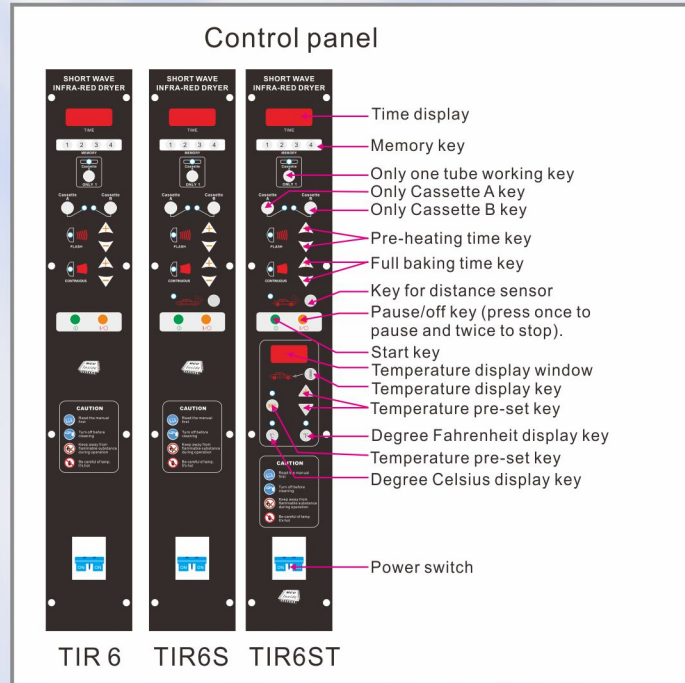
Functions plus equipped with ultrasonic distance sensor

TIR4ST 

Functions plus equipped with ultrasonic distance sensor and temperature controller

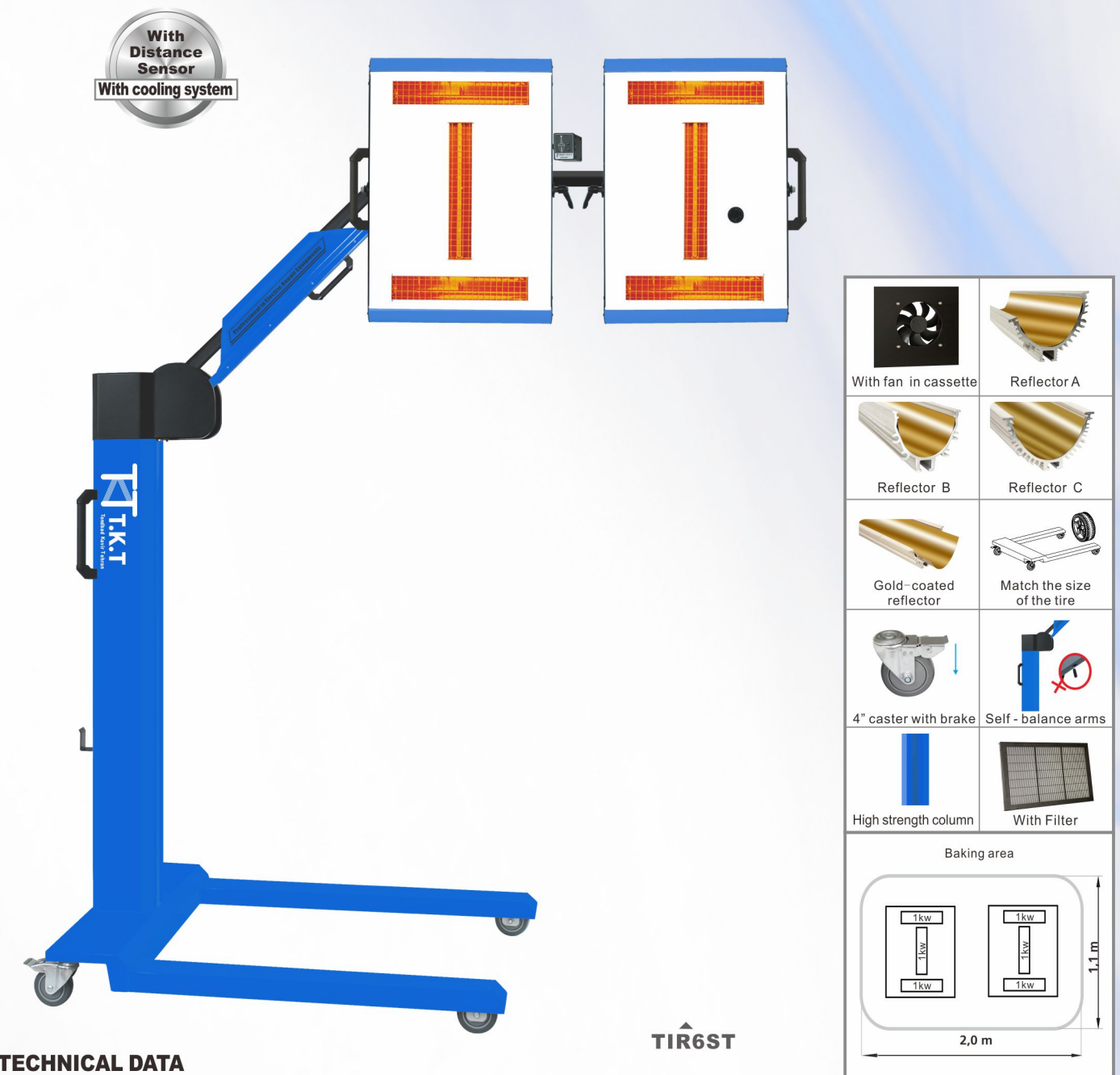
IR Series Paint Curing Equipment

- Ultrasonic distance sensor equipped with thermal compensation, from -40°C to +85°C with excellent precision. Temperature sensor has a red laser for aiming.
- Penetrates directly into the inner paint layer; completely drying two pack paints within 15 minutes and putty within five minutes.
- Cassette lamp assembly can be rotated and swivels to achieve best drying position. Easy height adjustment with two gas struts.
- Key electronic components made in USA/Japan or with CE/UL certification.
- Pre-heat and full baking functions to achieve gradual temperature increase.
- IR4ST: With an ultrasonic distance sensor and temperature control.
- Ideal for single and two components paint, including waterborne.
- Up to four programs can be stored in the memory.
- Digital display showing curing and remaining time.
- IR4S: With an ultrasonic distance sensor.
- High quality CE/UL certified switch.



TIR 6		Functions: pre-heat and full baking
TIR6S		Functions plus equipped with ultrasonic distance sensor
TIR6ST		Functions plus equipped with ultrasonic distance sensor and temperature controller

IR Series Paint Curing Equipment

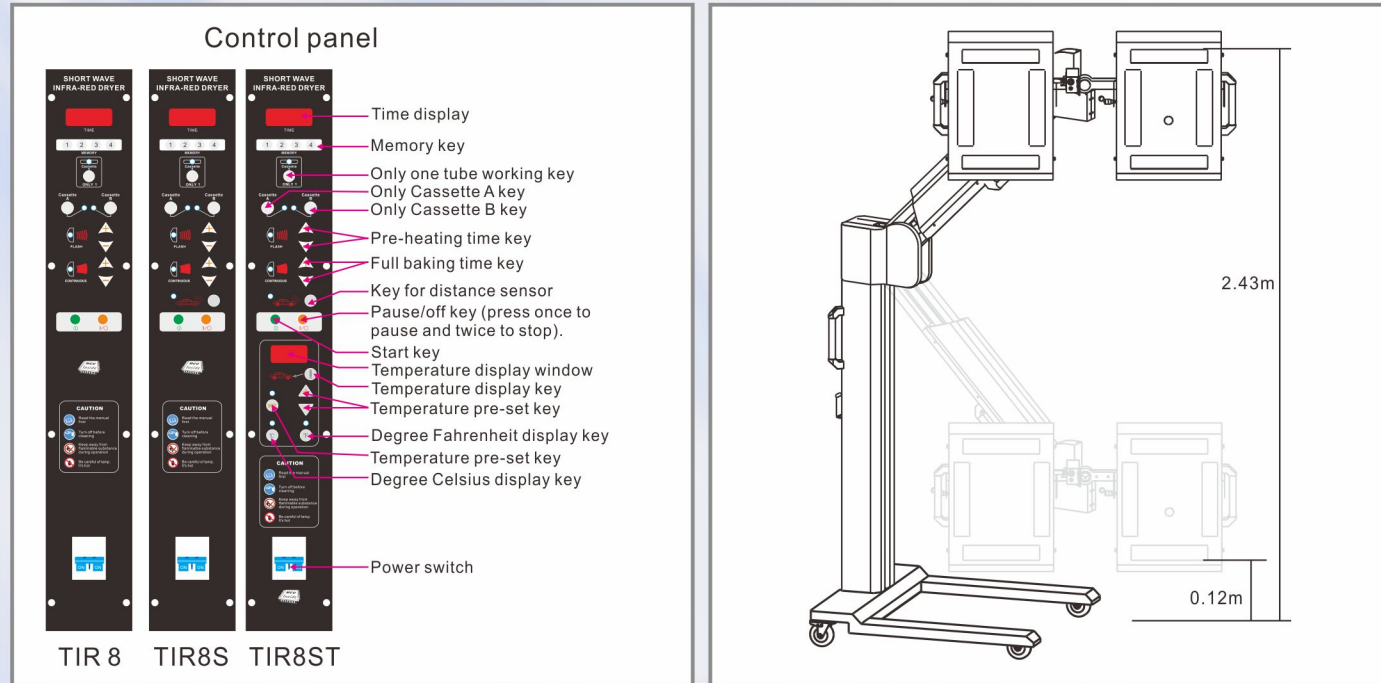


TECHNICAL DATA

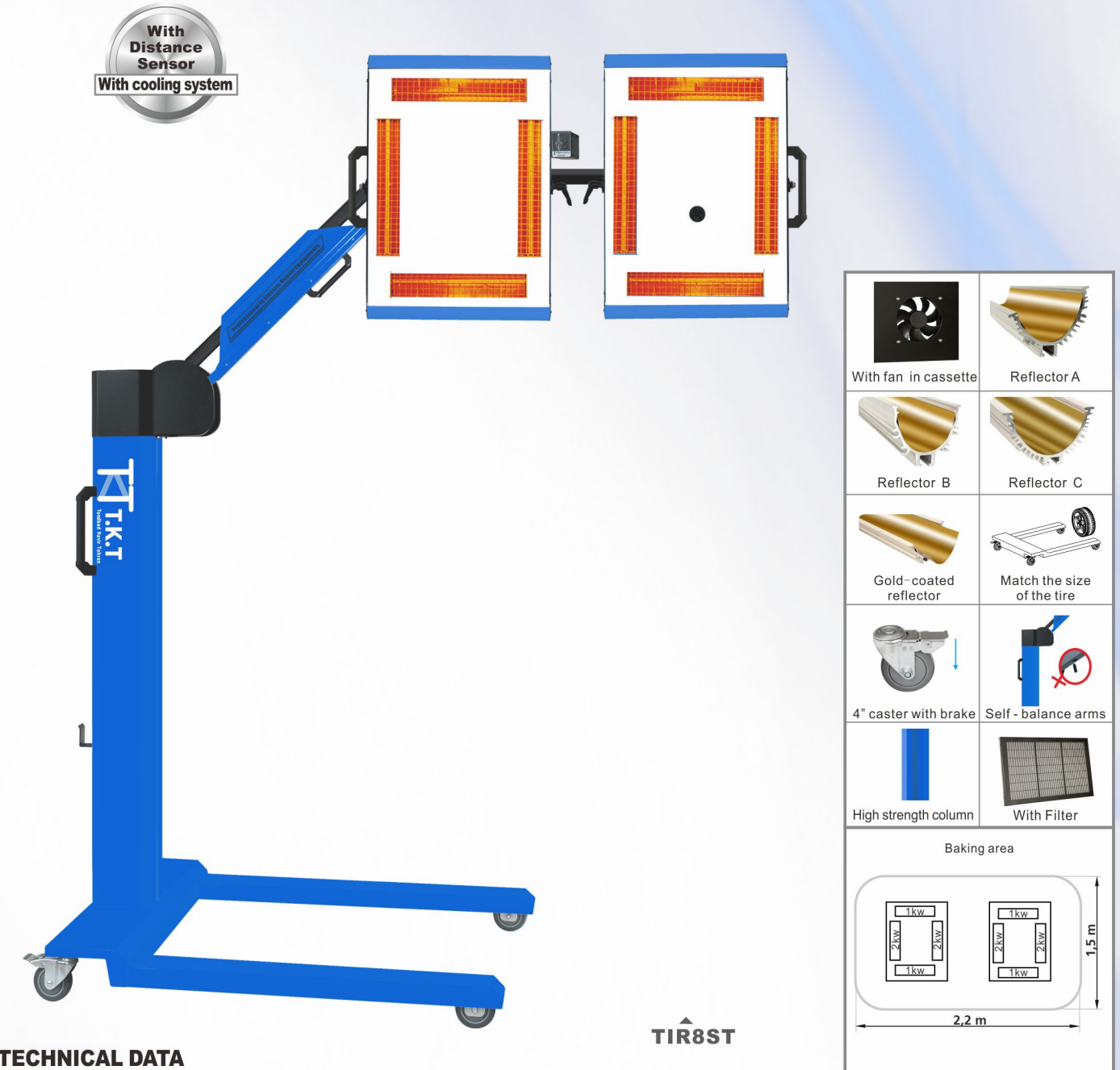
Model	Input voltage (50/60Hz)	Emitter power (W)	Max power (kVA)	Timing range (min)	Baking area (m ²)	Temperature (°C)	Dimensions (m)	Weight (kg)
TIR 6	230V 1Ph	6000	6	2 x 35	2.0 x 1.1	40-100	1.2 x 2.2 x 2.43	78
TIR6S	230V 1Ph	6000	6	2 x 35	2.0 x 1.1	40-100	1.2 x 2.2 x 2.43	78
TIR6ST	230V 1Ph	6000	6	2 x 35	2.0 x 1.1	40-100	1.2 x 2.2 x 2.43	79

IR Series Paint Curing Equipment

- Ultrasonic distance sensor equipped with thermal compensation, from -40°C to +85°C with excellent precision. Temperature sensor has a red laser for aiming.
- Penetrates directly into the inner paint layer; completely drying two pack paints within 15 minutes and putty within five minutes.
- Cassette lamp assembly can be rotated and swivels to achieve best drying position. Easy height adjustment with two gas struts.
- Key electronic components made in USA/Japan or with CE/UL certification.
- Pre-heat and full baking functions to achieve gradual temperature increase.
- IR4ST: With an ultrasonic distance sensor and temperature control.
- Ideal for single and two components paint, including waterborne.
- Up to four programs can be stored in the memory.
- Digital display showing curing and remaining time.
- IR4S: With an ultrasonic distance sensor.
- High quality CE/UL certified switch.



IR Series Paint Curing Equipment



TECHNICAL DATA

Model	Input voltage (50/60Hz)	Emitter power (W)	Max power (kVA)	Timing range (min)	Baking area (m ²)	Temperature (°C)	Dimensions (m)	Weight (kg)
TIR 8	400V 3Ph	12000	12	2 x 35	2.2 x 1.5	40-100	1.2 x 2.2 x 2.43	78
TIR8S	400V 3Ph	12000	12	2 x 35	2.2 x 1.5	40-100	1.2 x 2.2 x 2.43	78
TIR8ST	400V 3Ph	12000	12	2 x 35	2.2 x 1.5	40-100	1.2 x 2.2 x 2.43	79

TIR 8 

Functions: pre-heat and full baking

TIR8S 

Functions plus equipped with ultrasonic distance sensor

TIR8ST 

Functions plus equipped with ultrasonic distance sensor and temperature controller

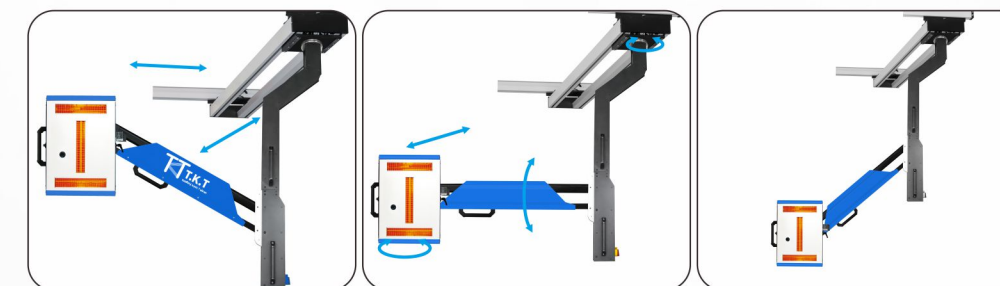
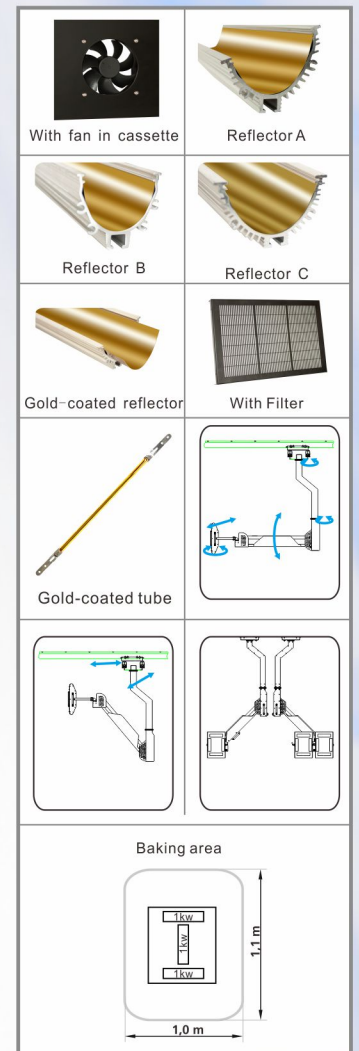
Rail Series Infra-Red Dryer System

- Ultrasonic distance sensor equipped with thermal compensation, from -40°C to +85°C with excellent precision. Temperature sensor has a red laser for correct aim.
- Cassette lamp assembly can be rotated and swivels to achieve best drying position. Convenient height adjustment with two gas struts.
- Penetrates directly into the inner paint layer; completely drying two pack paints within 15 minutes and putty within five minutes.
- Key electronic components made in USA/Japan or with CE/UL certification.
- Pre-heat and full baking functions to achieve gradual temperature increase.
- RSIR3ST: With an ultrasonic distance sensor and temperature control.
- Ideal for single and two components paint, including waterborne.
- RSIR3S: With an ultrasonic distance sensor.
- Up to four programs can be stored in the memory.
- Digital display showing cure and remaining time.
- High quality CE/UL certified switch.

Rail Series Infra-Red Dryer System



TRSIR3ST



Control panel

Time display
Memory key
Only one tube working key
Pre-heating time key
Full baking time key
Key for distance sensor
Pause/off key (press once to pause and twice to stop).
Start key
Temperature display window
Temperature display key
Temperature pre-set key
Degree Fahrenheit display key
Temperature pre-set key
Degree Celsius display key

TRSIR3 TRSIR3S TRSIR3ST

TECHNICAL DATA

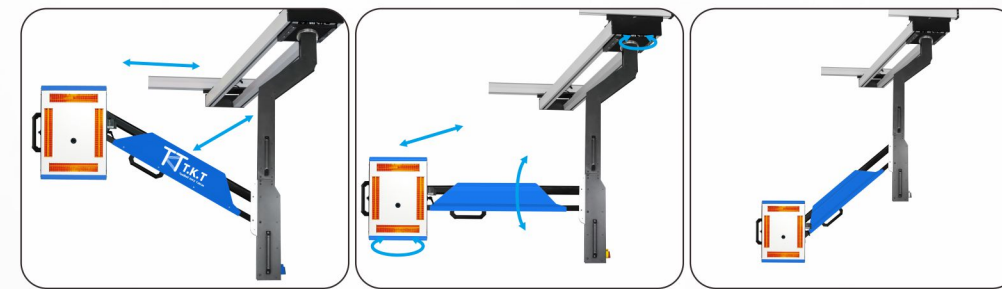
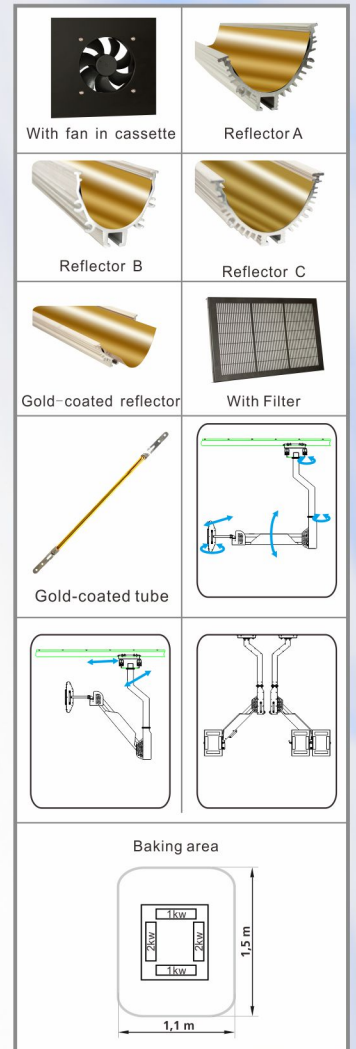
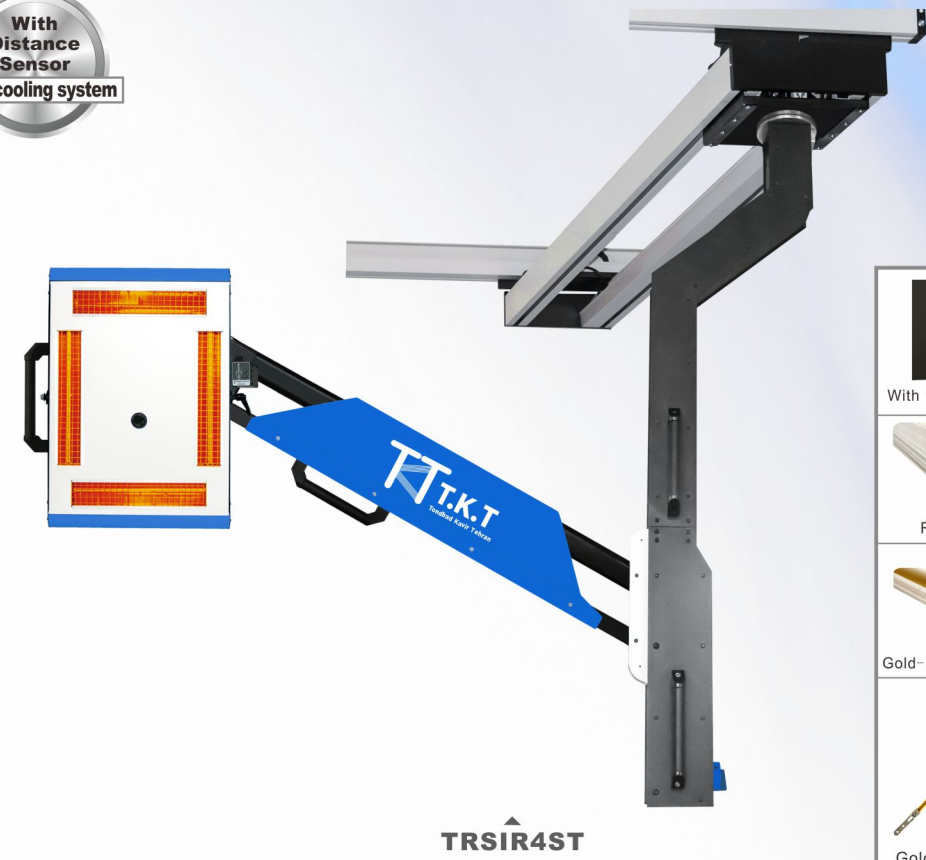
Model	Input voltage (50/60Hz)	Emitter power (W)	Max power (kVA)	Timing range (min)	Baking area (m ²)	Temperature (°C)	Dimensions (m)	Weight (kg)
TRSIR3	230V 1Ph	3000	3	2 x 35	1.0 x 1.1	40-100	2.2 x 2.2 x 3.20	120
TRSIR3S	230V 1Ph	3000	3	2 x 35	1.0 x 1.1	40-100	2.2 x 2.2 x 3.20	120
TRSIR3ST	230V 1Ph	3000	3	2 x 35	1.0 x 1.1	40-100	2.2 x 2.2 x 3.20	120

TRSIR3		Functions: pre-heat and full baking
TRSIR3S		Functions plus equipped with ultrasonic distance sensor
TRSIR3ST		Functions plus equipped with ultrasonic distance sensor and temperature controller

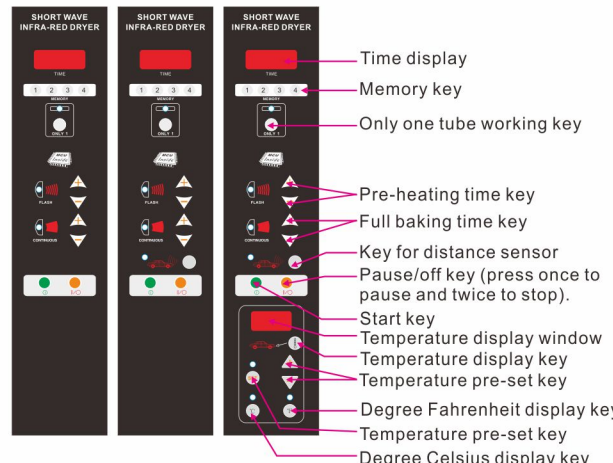
Rail Series Infra-Red Dryer System

- Ultrasonic distance sensor equipped with thermal compensation, from -40°C to +85°C with excellent precision. Temperature sensor has a red laser for correct aim.
- Cassette lamp assembly can be rotated and swivels to achieve best drying position. Convenient height adjustment with two gas struts.
- Penetrates directly into the inner paint layer; completely drying two pack paints within 15 minutes and putty within five minutes.
- Key electronic components made in USA/Japan or with CE/UL certification.
- Pre-heat and full baking functions to achieve gradual temperature increase.
- RSIR4ST: With an ultrasonic distance sensor and temperature control.
- Ideal for single and two components paint, including waterborne.
- RSIR4S: With an ultrasonic distance sensor.
- Up to four programs can be stored in the memory.
- Digital display showing cure and remaining time.
- High quality CE/UL certified switch.

Rail Series Infra-Red Dryer System

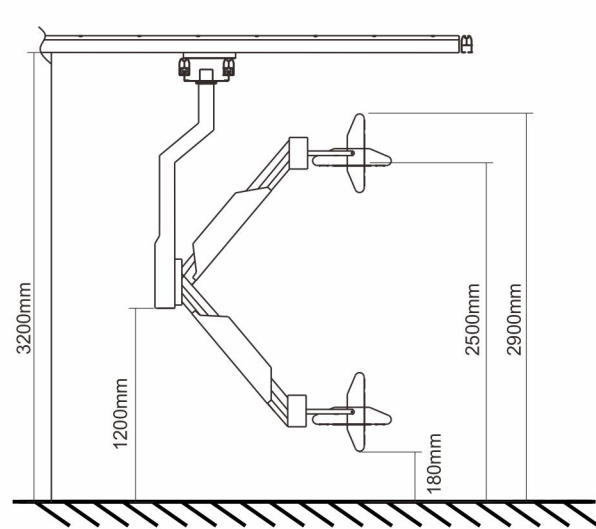


Control panel



Time display
Memory key
Only one tube working key
Pre-heating time key
Full baking time key
Key for distance sensor
Pause/off key (press once to pause and twice to stop).
Start key
Temperature display window
Temperature display key
Temperature pre-set key
Degree Fahrenheit display key
Temperature pre-set key
Degree Celsius display key

TRSIR4 TRSIR4S TRSIR4ST



TECHNICAL DATA

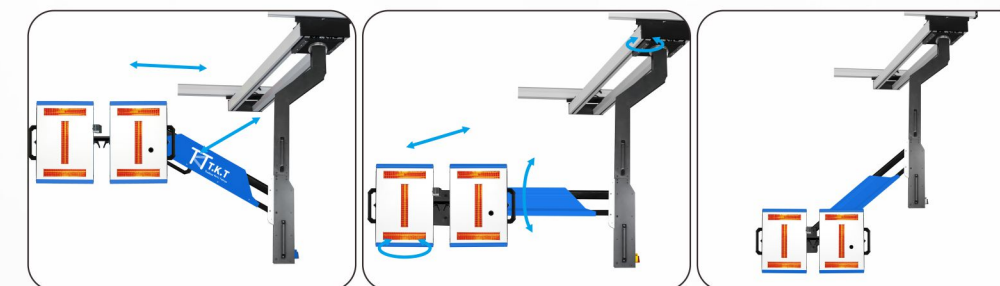
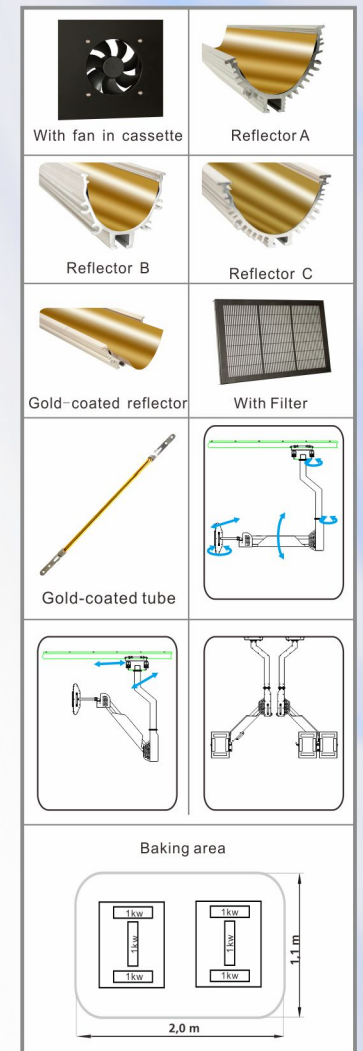
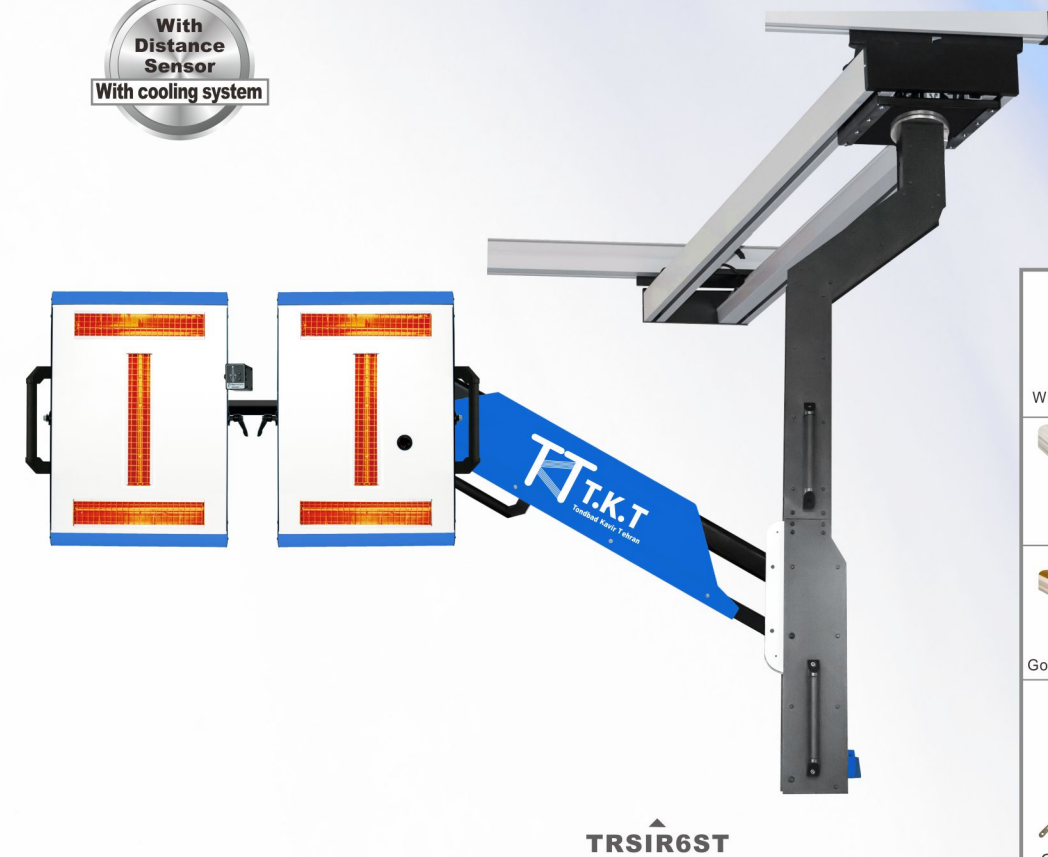
Model	Input voltage (50/60Hz)	Emitter power (W)	Max power (kVA)	Timing range (min)	Baking area (m ²)	Temperature (°C)	Dimensions (m)	Weight (kg)
TRSIR4	230V 1Ph	6000	6	2 x 35	1.1 x 1.5	40-100	2.2 x 2.2 x 3.20	120
TRSIR4S	230V 1Ph	6000	6	2 x 35	1.1 x 1.5	40-100	2.2 x 2.2 x 3.20	120
TRSIR4ST	230V 1Ph	6000	6	2 x 35	1.1 x 1.5	40-100	2.2 x 2.2 x 3.20	120

TRSIR4		Functions: pre-heat and full baking
TRSIR4S		Functions plus equipped with ultrasonic distance sensor
TRSIR4ST		Functions plus equipped with ultrasonic distance sensor and temperature controller

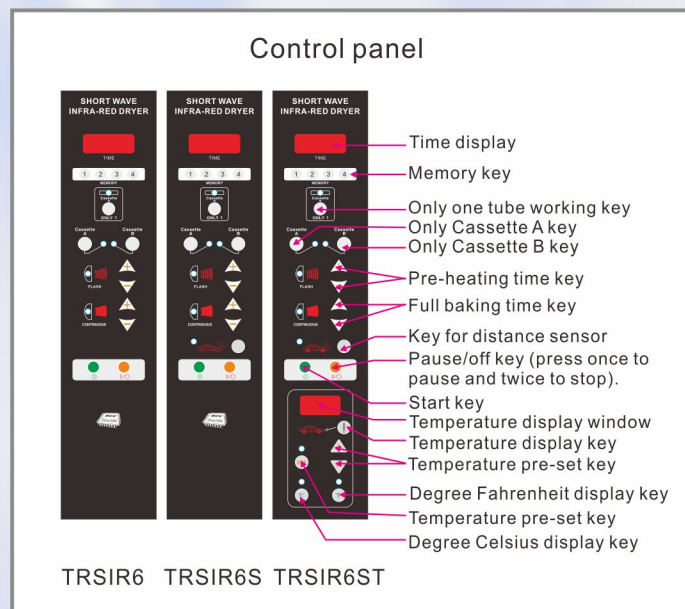
Rail Series Infra-Red Dryer System

- Ultrasonic distance sensor equipped with thermal compensation, from -40°C to +85°C with excellent precision. Temperature sensor has a red laser for correct aim.
- Cassette lamp assembly can be rotated and swivels to achieve best drying position. Convenient height adjustment with two gas struts.
- Penetrates directly into the inner paint layer; completely drying two pack paints within 15 minutes and putty within five minutes.
- Key electronic components made in USA/Japan or with CE/UL certification.
- Pre-heat and full baking functions to achieve gradual temperature increase.
- RSIR6ST: With an ultrasonic distance sensor and temperature control.
- Ideal for single and two components paint, including waterborne.
- RSIR6S: With an ultrasonic distance sensor.
- Up to four programs can be stored in the memory.
- Digital display showing cure and remaining time.
- High quality CE/UL certified switch.

Rail Series Infra-Red Dryer System

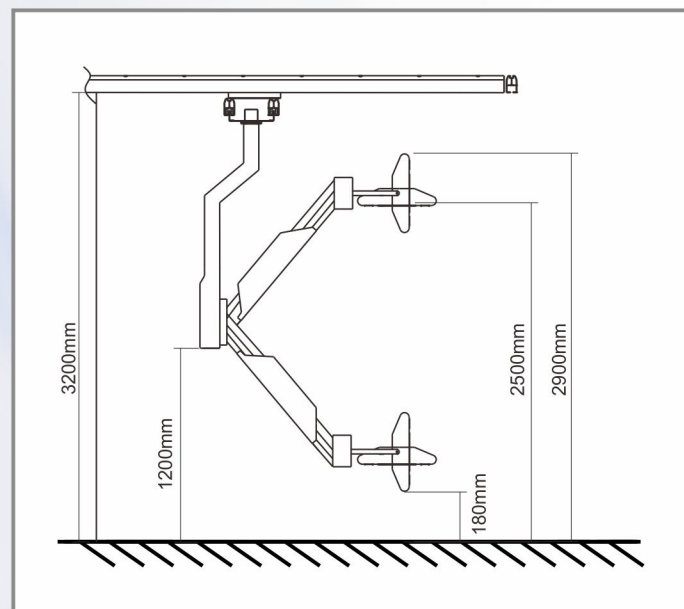


Control panel



- Time display
- Memory key
- Only one tube working key
- Only Cassette A key
- Only Cassette B key
- Pre-heating time key
- Full baking time key
- Key for distance sensor
- Pause/off key (press once to pause and twice to stop).
- Start key
- Temperature display window
- Temperature display key
- Temperature pre-set key
- Degree Fahrenheit display key
- Temperature pre-set key
- Degree Celsius display key

TRSIR6 TRSIR6S TRSIR6ST



TECHNICAL DATA

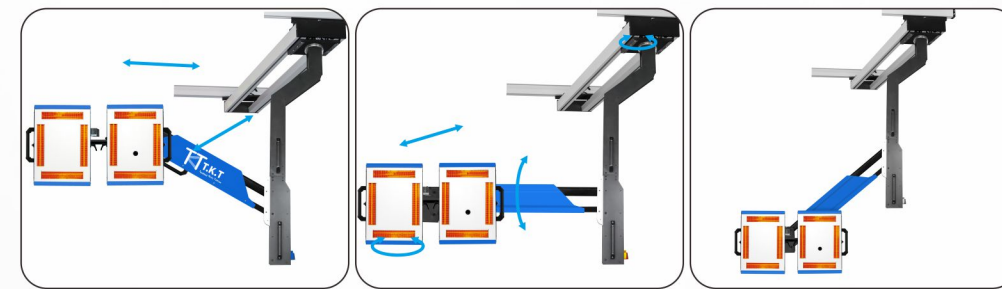
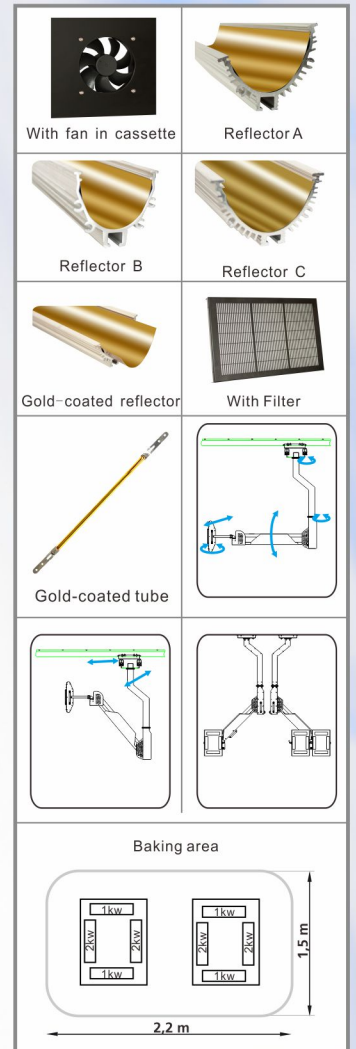
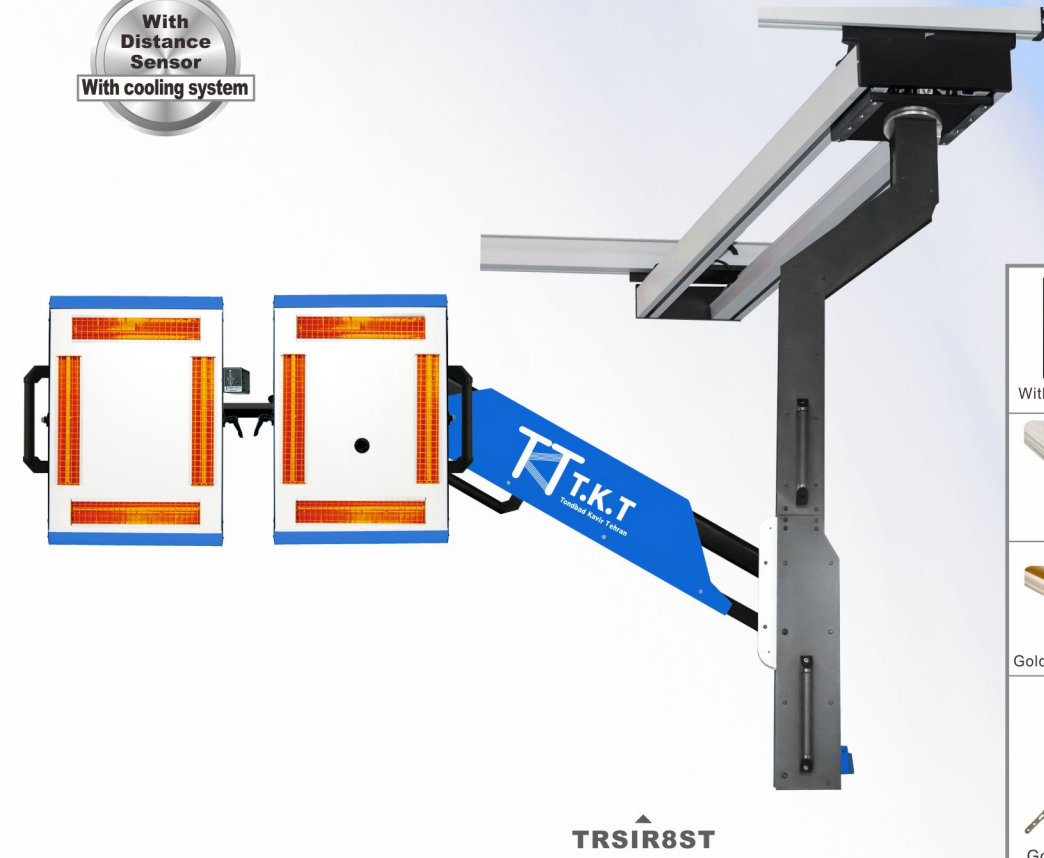
Model	Input voltage (50/60Hz)	Emitter power (W)	Max power (kVA)	Timing range (min)	Baking area (m ²)	Temperature (°C)	Dimensions (m)	Weight (kg)
TRSIR6	230V 1Ph	6000	6	2 x 35	2.0 x 1.1	40-100	2.2 x 2.2 x 3.20	120
TRSIR6S	230V 1Ph	6000	6	2 x 35	2.0 x 1.1	40-100	2.2 x 2.2 x 3.20	120
TRSIR6ST	230V 1Ph	6000	6	2 x 35	2.0 x 1.1	40-100	2.2 x 2.2 x 3.20	120

TRSIR6		Functions: pre-heat and full baking
TRSIR6S		Functions plus equipped with ultrasonic distance sensor
TRSIR6ST		Functions plus equipped with ultrasonic distance sensor and temperature controller

Rail Series Infra-Red Dryer System

- Ultrasonic distance sensor equipped with thermal compensation, from -40°C to +85°C with excellent precision. Temperature sensor has a red laser for correct aim.
- Cassette lamp assembly can be rotated and swivels to achieve best drying position. Convenient height adjustment with two gas struts.
- Penetrates directly into the inner paint layer; completely drying two pack paints within 15 minutes and putty within five minutes.
- Key electronic components made in USA/Japan or with CE/UL certification.
- Pre-heat and full baking functions to achieve gradual temperature increase.
- RSIR8ST: With an ultrasonic distance sensor and temperature control.
- Ideal for single and two components paint, including waterborne.
- RSIR8S: With an ultrasonic distance sensor.
- Up to four programs can be stored in the memory.
- Digital display showing cure and remaining time.
- High quality CE/UL certified switch.

Rail Series Infra-Red Dryer System



Control panel

Time display
Memory key
Only one tube working key
Only Cassette A key
Only Cassette B key
Pre-heating time key
Full baking time key
Key for distance sensor
Pause/off key (press once to pause and twice to stop).
Start key
Temperature display window
Temperature display key
Temperature pre-set key
Degree Fahrenheit display key
Temperature pre-set key
Degree Celsius display key

TRSIR8 TRSIR8S TRSIR8ST

TECHNICAL DATA

Model	Input voltage (50/60Hz)	Emitter power (W)	Max power (kVA)	Timing range (min)	Baking area (m ²)	Temperature (°C)	Dimensions (m)	Weight (kg)
TRSIR8	400V 3Ph	12000	12	2 x 35	2.2 x 1.5	40-100	2.2 x 2.2 x 3.20	120
TRSIR8S	400V 3Ph	12000	12	2 x 35	2.2 x 1.5	40-100	2.2 x 2.2 x 3.20	120
TRSIR8ST	400V 3Ph	12000	12	2 x 35	2.2 x 1.5	40-100	2.2 x 2.2 x 3.20	120

TRSIR8		Functions: pre-heat and full baking
TRSIR8S		Functions plus equipped with ultrasonic distance sensor
TRSIR8ST		Functions plus equipped with ultrasonic distance sensor and temperature controller

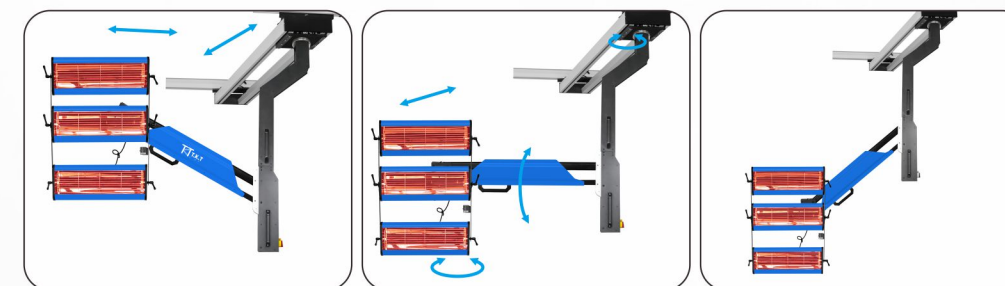
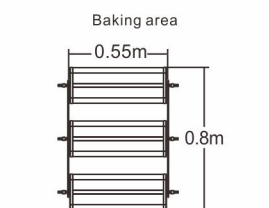
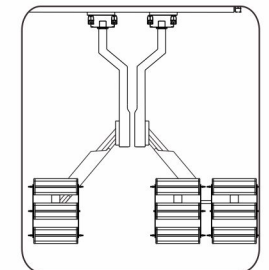
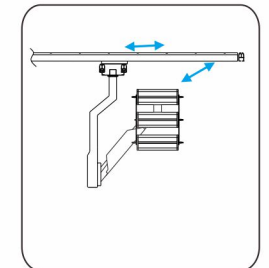
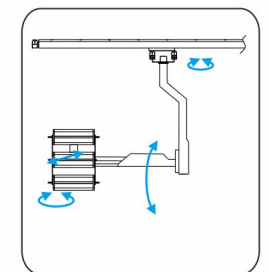
Rail Series Infra-Red Dryer System

- Ultrasonic distance sensor equipped with thermal compensation, from -40°C to +85°C with excellent precision. Temperature sensor has a red laser for correct aim.
- Cassette lamp assembly can be rotated and swivels to achieve best drying position. Convenient height adjustment with two gas struts.
- Penetrates directly into the inner paint layer; completely drying two pack paints within 15 minutes and putty within five minutes.
- Key electronic components made in USA/Japan or with CE/UL certification.
- Pre-heat and full baking functions to achieve gradual temperature increase.
- RSIR6ST: With an ultrasonic distance sensor and temperature control.
- Ideal for single and two components paint, including waterborne.
- RSIR6S: With an ultrasonic distance sensor.
- Up to four programs can be stored in the memory.
- Digital display showing cure and remaining time.
- High quality CE/UL certified switch.

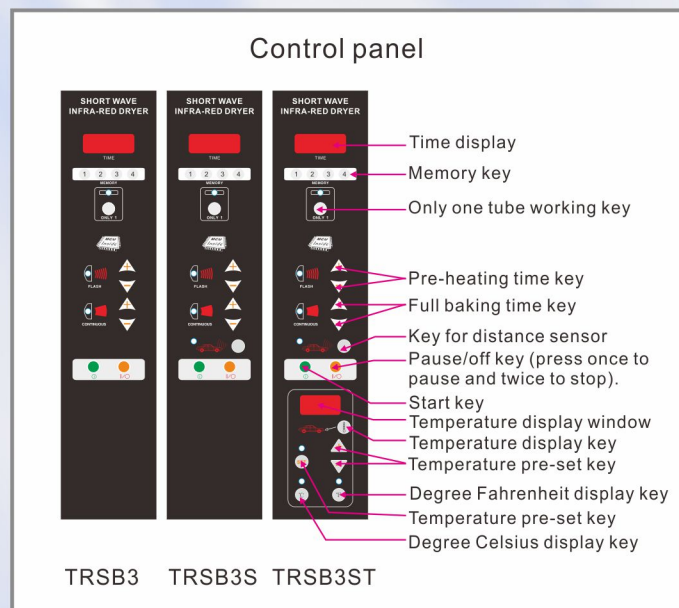
Rail Series Infra-Red Dryer System



TRSB3ST

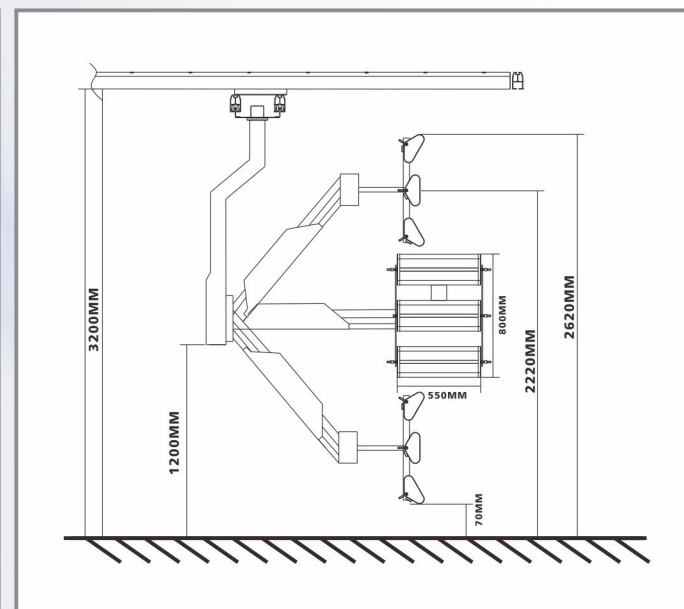


Control panel



Time display
Memory key
Only one tube working key
Pre-heating time key
Full baking time key
Key for distance sensor
Pause/off key (press once to pause and twice to stop).
Start key
Temperature display window
Temperature display key
Temperature pre-set key
Degree Fahrenheit display key
Temperature pre-set key
Degree Celsius display key

TRSB3 TRSB3S TRSB3ST



TECHNICAL DATA

Model	Input voltage (50/60Hz)	Emitter power (W)	Max power (kVA)	Timing range (min)	Baking area (m ²)	Temperature (°C)	Dimensions (m)	Weight (kg)
TRSB3	230V 1Ph	3 X 1050	3.15	0-60	0.55 x 0.8	40-100	2.2 x 2.2 x 3.20	120
TRSB3S	230V 1Ph	3 X 1050	3.15	0-60	0.55 x 0.8	40-100	2.2 x 2.2 x 3.20	120
TRSB3ST	230V 1Ph	3 X 1050	3.15	0-60	0.55 x 0.8	40-100	2.2 x 2.2 x 3.20	120

TRSB3 

Functions: pre-heat and full baking

TRSB3S 

Functions plus equipped with ultrasonic distance sensor

TRSB3ST 

Functions plus equipped with ultrasonic distance sensor and temperature controller

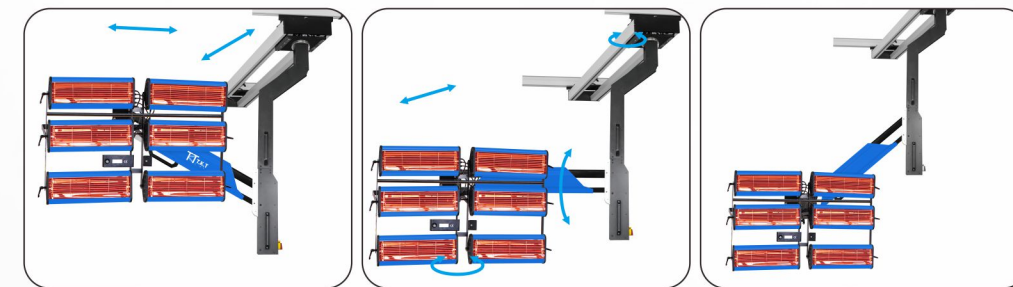
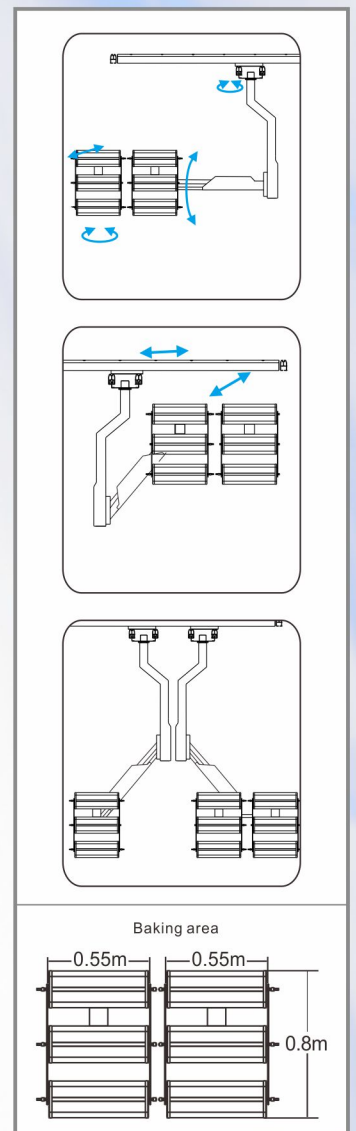
Rail Series Infra-Red Dryer System

- Ultrasonic distance sensor equipped with thermal compensation, from -40°C to +85°C with excellent precision. Temperature sensor has a red laser for correct aim.
- Cassette lamp assembly can be rotated and swivels to achieve best drying position. Convenient height adjustment with two gas struts.
- Penetrates directly into the inner paint layer; completely drying two pack paints within 15 minutes and putty within five minutes.
- Key electronic components made in USA/Japan or with CE/UL certification.
- Pre-heat and full baking functions to achieve gradual temperature increase.
- RSIR6ST: With an ultrasonic distance sensor and temperature control.
- Ideal for single and two components paint, including waterborne.
- RSIR6S: With an ultrasonic distance sensor.
- Up to four programs can be stored in the memory.
- Digital display showing cure and remaining time.
- High quality CE/UL certified switch.

Rail Series Infra-Red Dryer System



TRSB6ST



Control panel

- Time display
- Memory key
- Only one tube working key
- Only Cassette A key
- Only Cassette B key
- Pre-heating time key
- Full baking time key
- Key for distance sensor
- Pause/off key (press once to pause and twice to stop).
- Start key
- Temperature display window
- Temperature display key
- Temperature pre-set key
- Degree Fahrenheit display key
- Temperature pre-set key
- Degree Celsius display key

TRSB6 TRSB6S TRSB6ST

TECHNICAL DATA

Model	Input voltage (50/60Hz)	Emitter power (W)	Max power (kVA)	Timing range (min)	Baking area (m ²)	Temperature (°C)	Dimensions (m)	Weight (kg)
TRSB6	230V 1Ph	6 X 1050	6.3	2 x 35	1.5x0.8	40-100	2.2 x 2.2 x 3.20	120
TRSB6S	230V 1Ph	6 X 1050	6.3	2 x 35	1.5x0.8	40-100	2.2 x 2.2 x 3.20	120
TRSB6ST	230V 1Ph	6 X 1050	6.3	2 x 35	1.5x0.8	40-100	2.2 x 2.2 x 3.20	120

TRSB6		Functions: pre-heat and full baking
TRSB6S		Functions plus equipped with ultrasonic distance sensor
TRSB6ST		Functions plus equipped with ultrasonic distance sensor and temperature controller

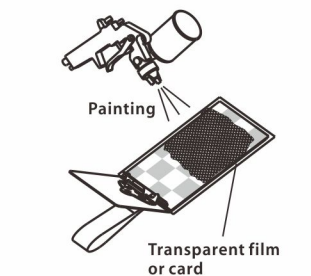
Products for Painting Jobs

During car paint repair, operator usually test sprays the color he mixed on a sample piece and compares the result color against the car paint for consistency. Only after the color is exactly matched will the car paint repair job be carried out.

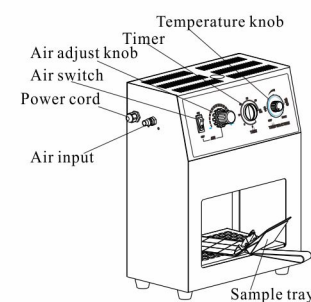
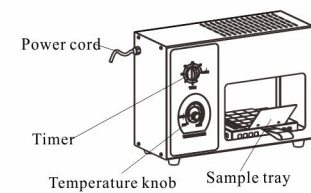
- With shortwave infrared light and compressed air, can use together or separately.
- Premium quality: 6,000 hour long service life infra-red tube.
- Handle tray for place the sample in or out conveniently.
- Film of painting sample, easy to compare and storage.
- Temperature controller for infrared light from 35°C~90°C.
- Wall-mounted or desk stand positions.
- Adjustable compressed air supply.



Standard accessories



Control panel



TECHNICAL DATA

Model	Input voltage (50/60Hz)	Emitter power (W)	Max power (kVA)	Timing range (min)	Input air (bar)	Temperature (°C)	Dimensions (m)	Weight (kg)
TPD 201	110V/230V	300	350	30	-	35-90	0.45 X 0.28 X 0.35	8
TPD 302	110V/230V	300	350	30	3-8	35-90	0.38 X 0.28 X 0.43	7.71

Match Lamp

COLOR MATCH KIT

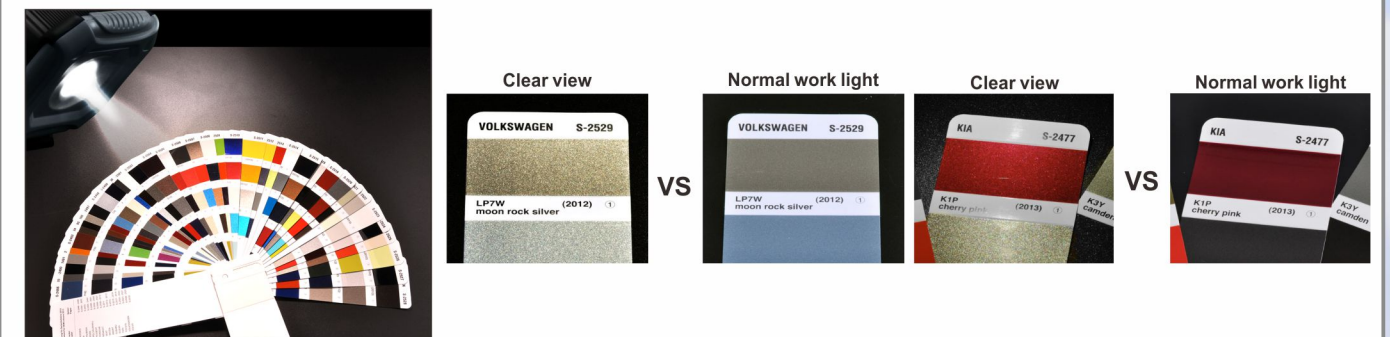
The colour matching light, it is easy to bell even the slightest change in colour.

On a rainy day, nighttime, indoors, or other artificial illuminated areas, with the help of our LED colour match lamp, one can see the real color as it would appear under sunlight. Show all the hiding colours and slight scratches more clearly than sunlight. light can work 2.5-5hours after full charge. Water-proof grade is IPX-4.



TCM1K ▶

Performance comparison of normal work light and clear view color matching light



TECHNICAL DATA

Model	Input voltage	Max power	Lumen	Dimensions (m)	Weight (kg)
TCM1K	230V	-	-	0.44 x 0.33 x 0.13	2

Match Lamp



Mixing and matching automotive paint under artificial light is impossible. Thanks to our latest technology you can bring the sunlight inside your workshop.



Show all the hiding colors and slight scratches more clearly than sunlight.

The kit include:

Match Lamp



- 1m
- 1500 Lumen
- 4500 KELVIN
- CRI>95 (Ra)
- Water Proof IPX-4
- Rechargeable
- 3h
- 1500 Lumen
- 6h
- 750 Lumen
- 3h

Match Pen



- Ultra high CRILED
- 100 Lumens
- 4500 KELVIN
- CRI>95 (Ra)
- Water Proof IPX-4
- 2*AAA/1.5V

Under sufficient lighting condition, you still can not see some hiding colors, but with the help of our clear view color matching light, you can see all the colors vividly.

Mobile Work Light

Visual lighting is very important to the work efficiency, because people capture the information by vision and react, the speed and accuracy affected by the visual lighting. Improving the illumination can help to avoid visual fatigue, but also help to improve the identification speed and accuracy, so that improve the work efficiency and safety. Mobile work light Use the new technology illumination parts, professional and innovative design, it's a good partner for working area to provide convenient, stable and eye protected lighting.

High quality parts:

Philips new technology LED light tube(1.2M,16W/Unit or 0.6M,8W/Unit)



- 15000h Life
- Lighting even & comfortable
- Good color reproduction
- Energy-efficient 16W=36W
- With CE
- With RoHS
- With IEC (For eyes)
- No ballast & starter, maintenance free

Front cover



Professionally-designed front cover with light guiding stripes provides even and soft light.

- 3 directions.
- Moisture-proof
- Water Proof
- Dust Proof

- 35M illuminating distance, and 35M² area.
- Water Proof
- High strength aluminum body
- 50000h Life
- Explosion Proof glass
- COB Light source chip

- Erectable for room save
- 4M Power cord
- With brake
- Stainless Post

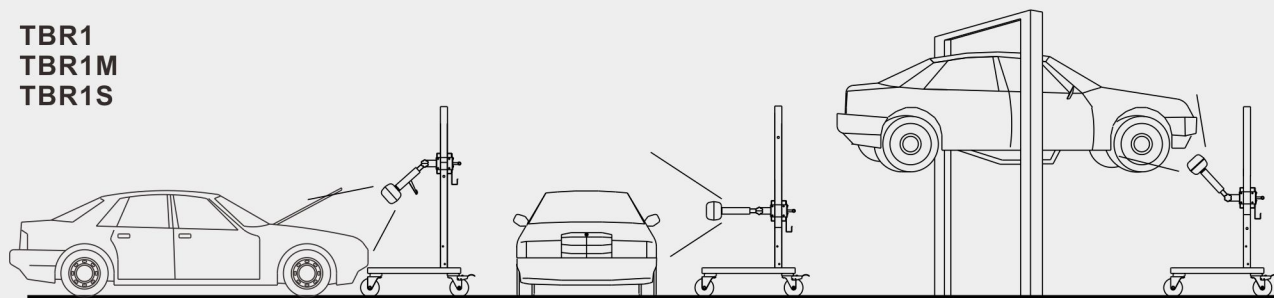
Mobile Work Light

Visual lighting is very important to the work efficiency, because people capture the information by vision and react, the speed and accuracy affected by the visual lighting. Improving the illumination can help to avoid visual fatigue, but also help to improve the identification speed and accuracy, so that improve the work efficiency and safety. Mobile work light Use the new technology illuminant parts, professional and innovative design, it's a good partner for working area to provide convenient, stable and eye protected lighting.



TBR1M

TBR1
TBR1M
TBR1S



Mobile Work Light



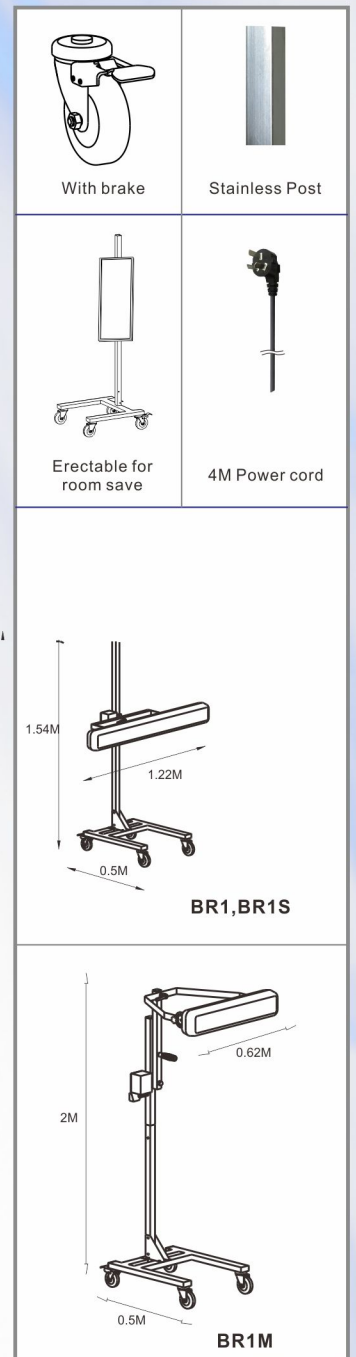
With dimmer



3 directions



TBR 1

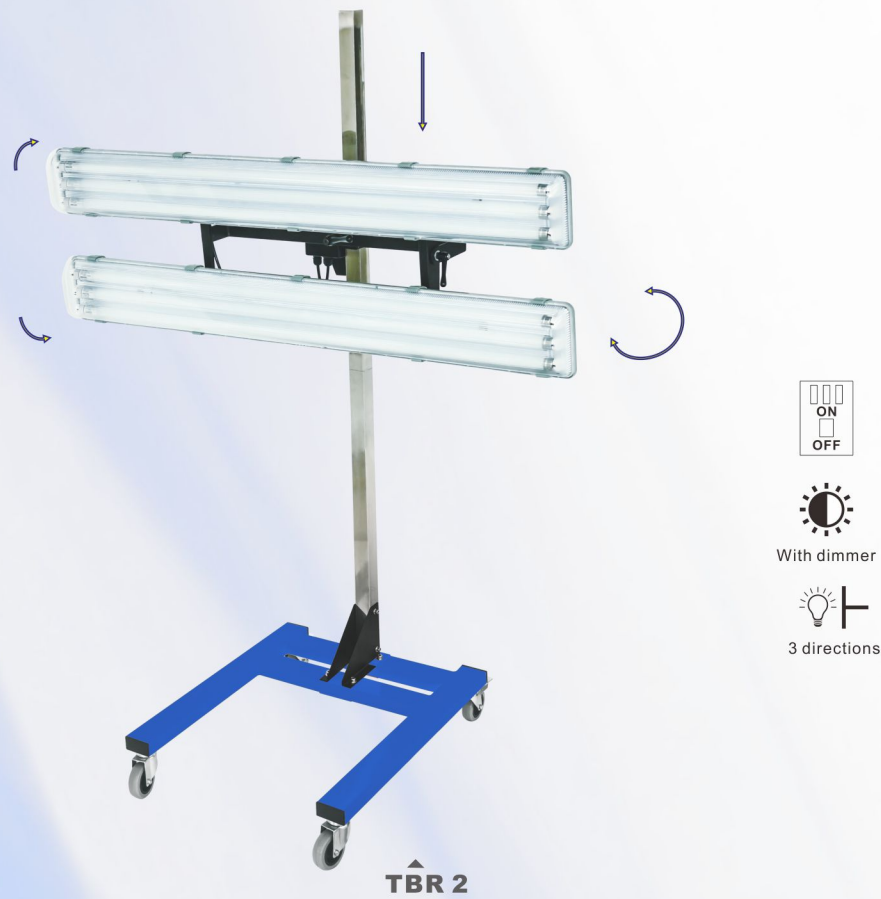


TECHNICAL DATA

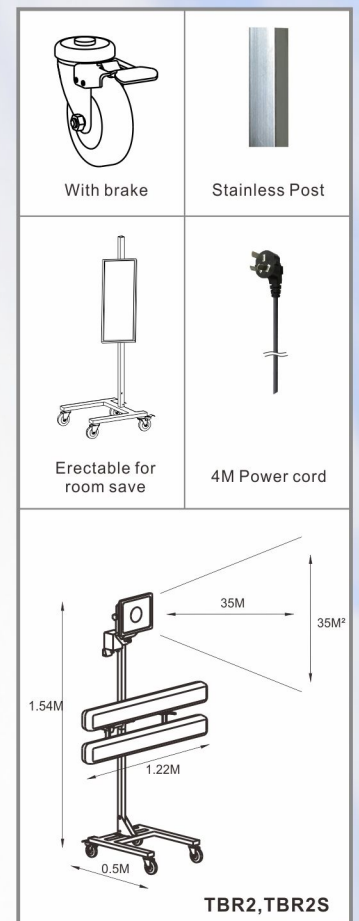
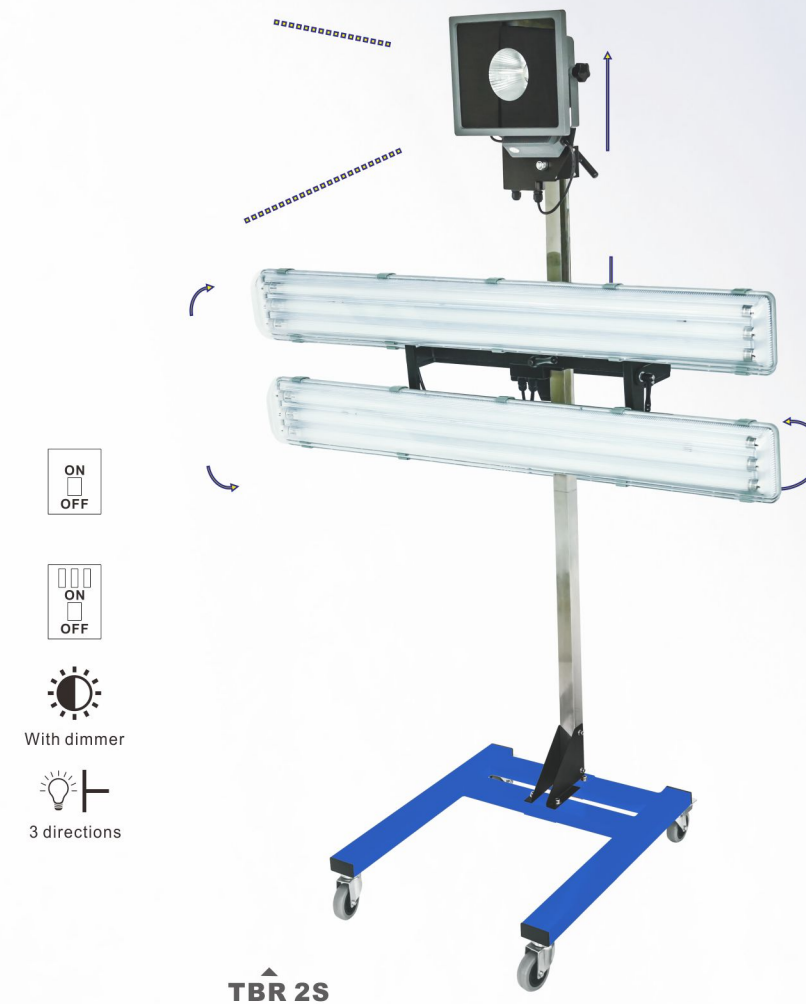
Model	Input voltage	Max power	Lumen	Dimensions (m)	Weight (kg)
TBR1M	230V	24W Light tube	800x3 lm	0.5 x 0.62 x 2.0	16
TBR1	230V	48W Light tube	1600x3 lm	0.5 x 1.22 x 1.54	16

Mobile Work Light

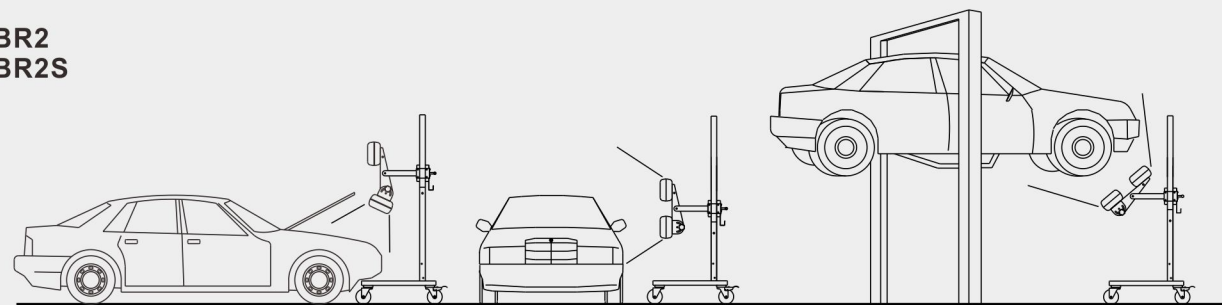
Visual lighting is very important to the work efficiency, because people capture the information by vision and react, the speed and accuracy affected by the visual lighting. Improving the illumination can help to avoid visual fatigue, but also help to improve the identification speed and accuracy, so that improve the work efficiency and safety. Mobile work light Use the new technology illuminant parts, professional and innovative design, it's a good partner for working area to provide convenient, stable and eye protected lighting.



Mobile Work Light



**TBR2
TBR2S**



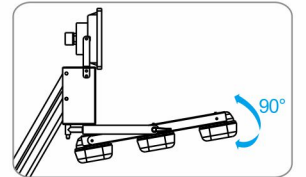
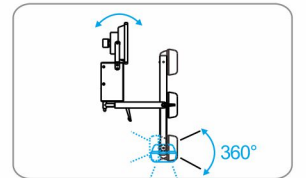
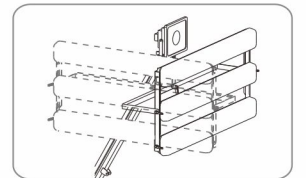
TECHNICAL DATA

Model	Input voltage	Max power	Lumen	Dimensions (m)	Weight (kg)
TBR2	230V	96W Light tube	1600x3 lm	0.5 x 1.22 x 1.54	20
TBR2S	230V	96W Light tube + 50W Spot light	1600x3 lm	0.5 x 1.22 x 1.54	22

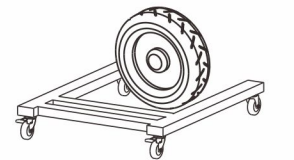
Mobile Work Light

- Gas strut for the ease of height adjustment .
- With a special design on the lowest cassette , it can turn to any direction and can work with up to 3 tubes.
- Good for detecting hail stone damage.

Mobile Work Light



The rotary and flexible cassette can illuminate any working area easily!



Match the size of the tire

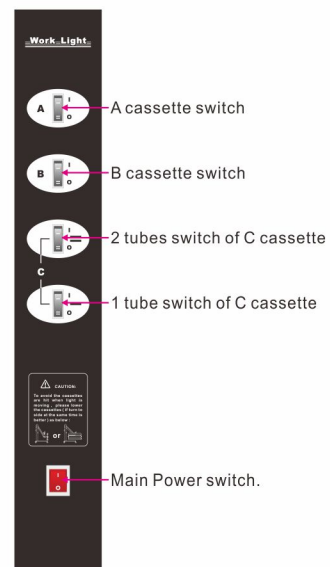


4" caster with brake

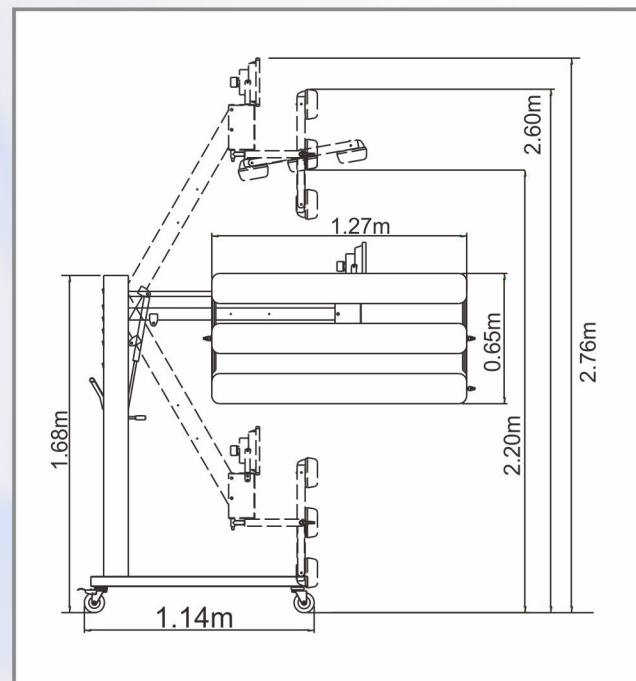


Gas strut

Control panel



TBR 3



TECHNICAL DATA

Model	Input voltage	Max power	Lumen	Dimensions (m)	Weight (kg)
TBR 3	230V	144W Light tube	1600x9 lm	1.14 X 1.27 X 2.16	69