

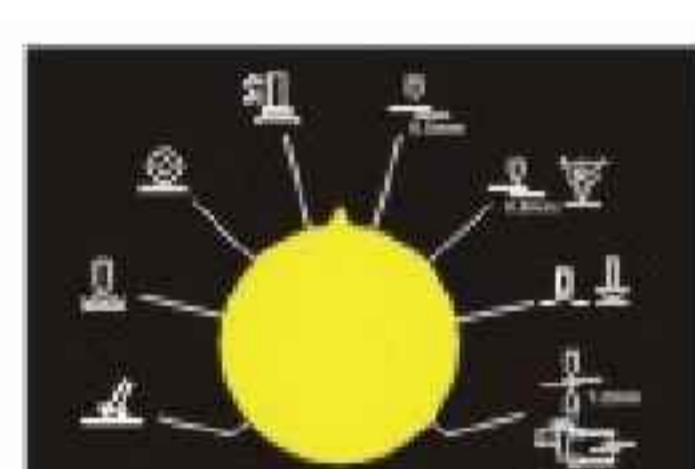
# Double Side Spot Welder

X7

X8

Suitable for welding washers, special washers, wriggle wire, rivets, sheet patching, carbon rod heating and shrinking.

- Equipped with suction slide hammer set for repairs of large dent areas without damaging the paint work.
- 2 functions welding tip with convenient earth connector.
- Copper transformer for heavy duty load.
- Stepless welding current adjustment.
- Double side spot welding.
- Equipped with fan cooling.
- Easy to use welding tip.
- Thermal protection.



Stepless adjustment



Lg:mm	10 bar daN
180	117
220	100
320	68
400	41



X7



X8

## X7, X8 Standard Accessories



## Technical Data

Model	X7	X8
Input Voltage(50/60Hz)	400V 2ph	400V 2ph
Max power(kVA)	17	19
Output voltage(V)	5.2-9	5.2-9
Max spot-welding current(A)	6000	9000
Timing range(S)	0-1.2	0-1.2
Duty cycle(%)	15-75	20-75
Air pressure range(bar)	6-8	6-8
Max double-sided spot welding thickness(mm)	2+2	3+3
Dimensions(mm)	L560xW480xH1850	L640xW500xH1850
Net weight(kg)	84	110

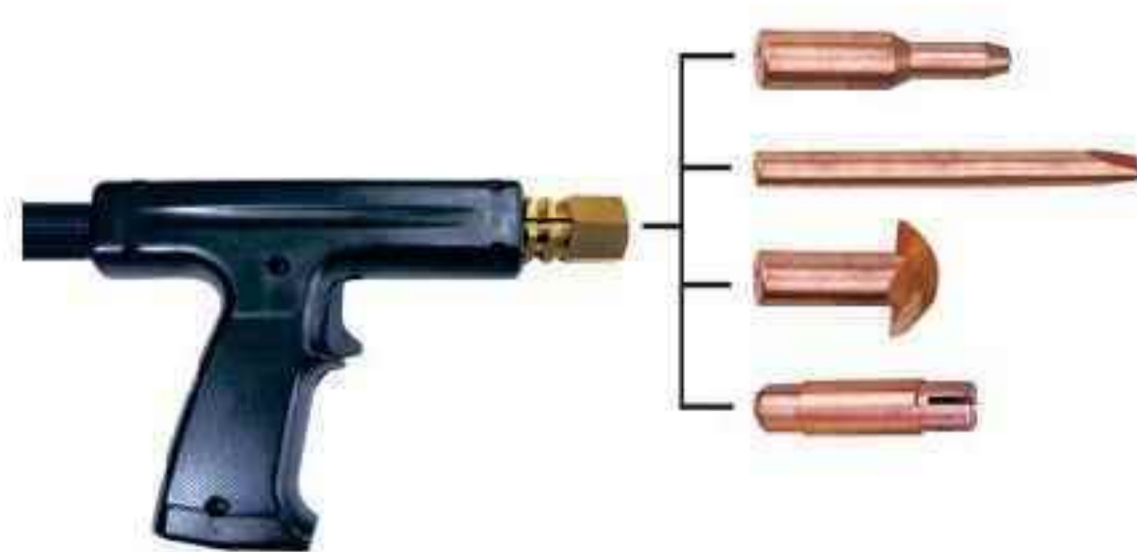
Input voltage can be custom made.

# Inverter Spot Welder System

V6



5x7 Color LCD  
Over 200 pre-set programs



With single side welding

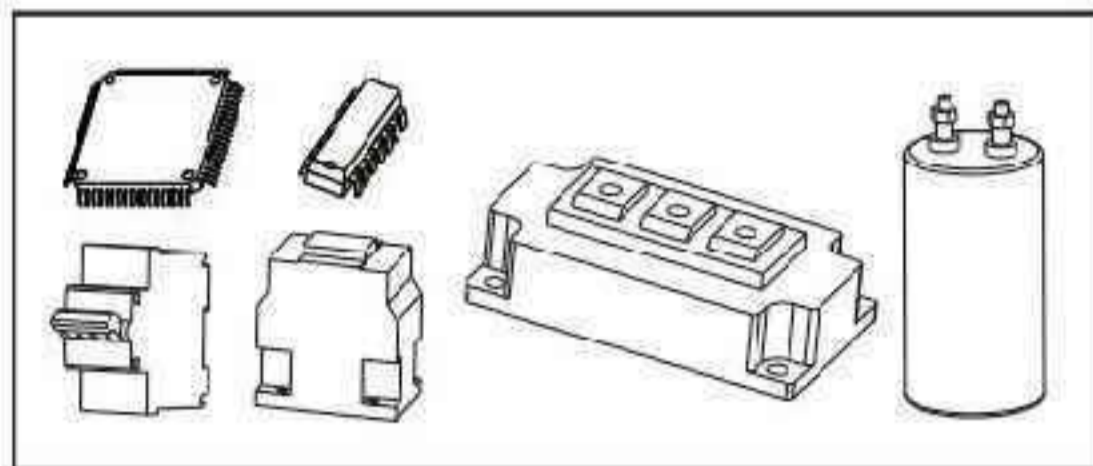


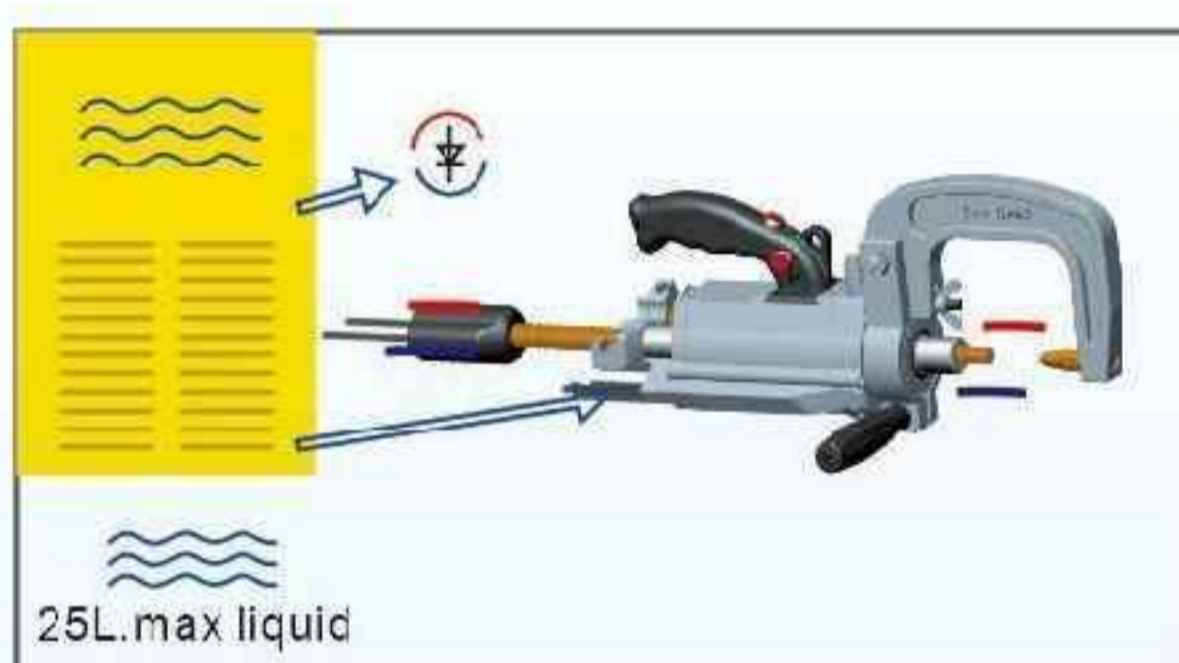
ABB contactors and switch,  
Japanese and United States  
IGBT and electronic parts

3 Phases,  
voltage auto-compensates

12000A output  
4+4 or 2+2+2(mm)  
600Lb pressure



Air cooled and  
low-inductive cables



Water Cooled

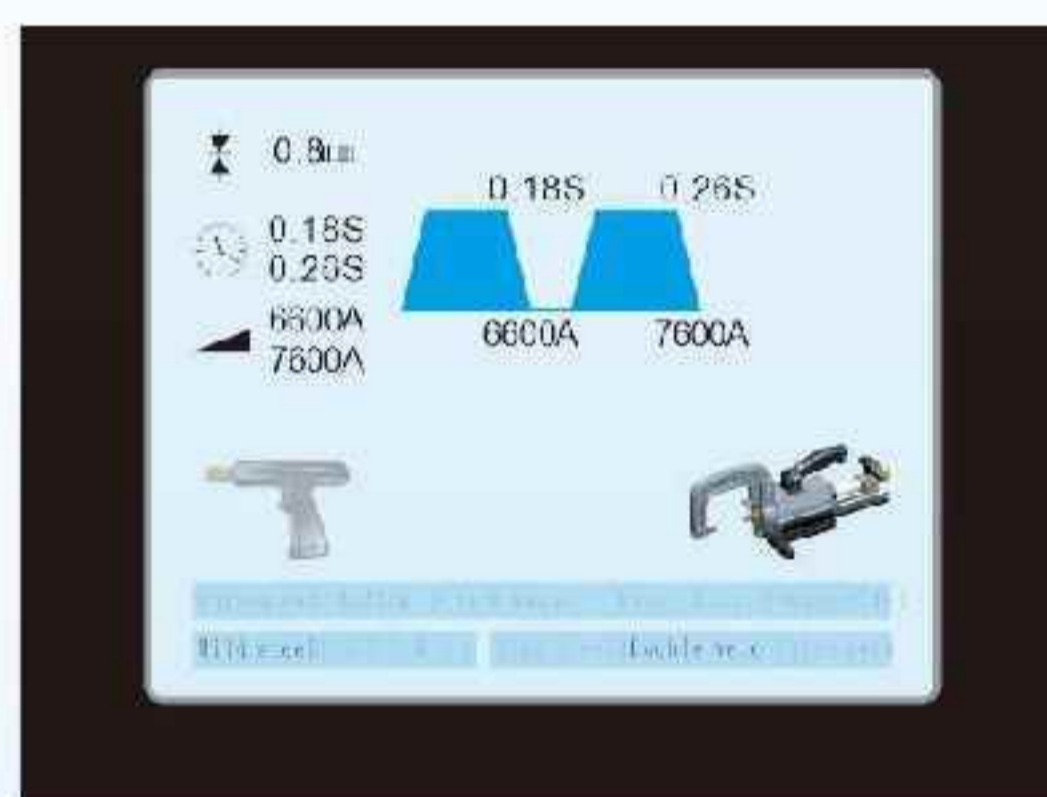


Good balance designed



V6

## Control Board: All-function and advanced weld features



Advanced Weld Feature



All-function (over 200 pre-set programs)

Precise multi-pulse welding current is used to weld galvanized plates. Initial lower current pulse melts and vaporize the zinc and pre-heats the welding zone. Subsequent pulses at higher current melts and fuses the plates together.

## V6 Standard Accessories

- Electrodes: (2pcs), (50pcs), (3pcs), (50pcs), (100pcs)
- Welding cables: (100pcs)
- Quick puller (Optional) Cod.723001
- Protection cover (Optional) Cod.712968
- For 2mm or over (10pcs) Cod. 812001
- For 2mm below (10pcs) Cod. 812002
- C-clamp arm Cod.712972 (100mm)
- Wheel house arm Cod.712973 (83mm)
- C-clamp arm Cod.712974 (300mm)
- C-clamp arm (Optional) Cod.712975 (600mm)
- pincher arm (Optional) Cod.712969 (150mm)

## Technical Data

Model	V6	Inverter frequency(Hz)	2000
Input voltage(50/60Hz,customized)	400V 3ph	Cooling system	Air(2 fans), compressed air for welding cables; Water cooling for clamp.
(Input voltage can be customized)	208-240V 3ph	Welding cable length	8.2'(2.5m) stand
Max absorbed power( kW)	73	Max electrodes force, 8bar(daN)	X-clamp 345, C-clamp 350(600Lb)
Rated power x=50%( kW)	25	Max weld thick on sheets( mm)	4+4 or 2+2+2
Max welding current	12000A(3ph)	Insulation class	H
Max short circuit current	13000A(3ph)	Protection degree	IP22
Power factor( cosphi)	0.8	Dimensions(mm)	L700xW640xH2080
Secondary no load voltage(V)	4-21	Net Weight(kg)	172
Duty cycle	5%		

# Hot Stapler

## H3

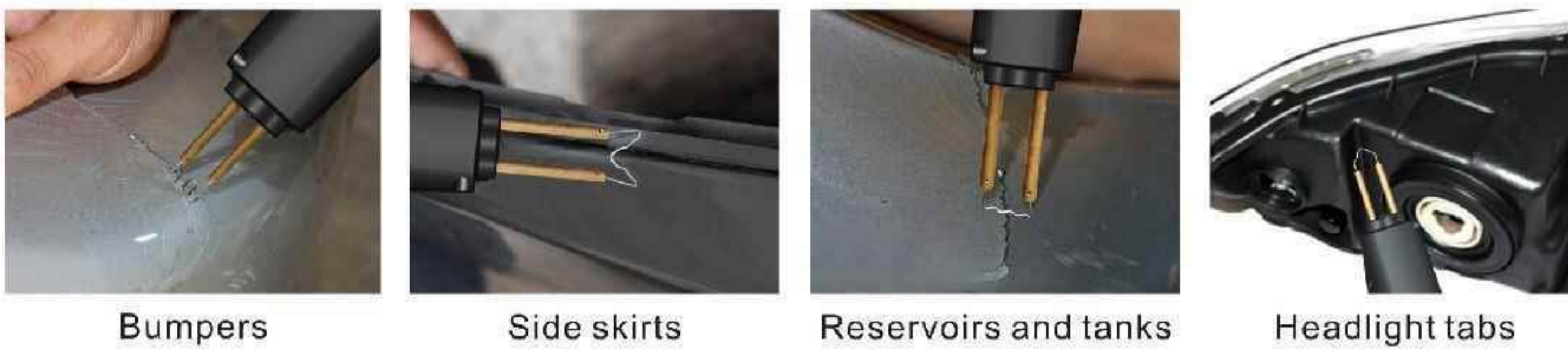
**Fast & Low Cost to repair all kinds of plastic parts!**

- Package integrated design for storage and space saving.
- Suitable for various plastic types.
- Two directions for staple insert.
- Two different heating speeds.
- Light and easy to operate.
- Six sizes of staples.



H3

### Which part to use



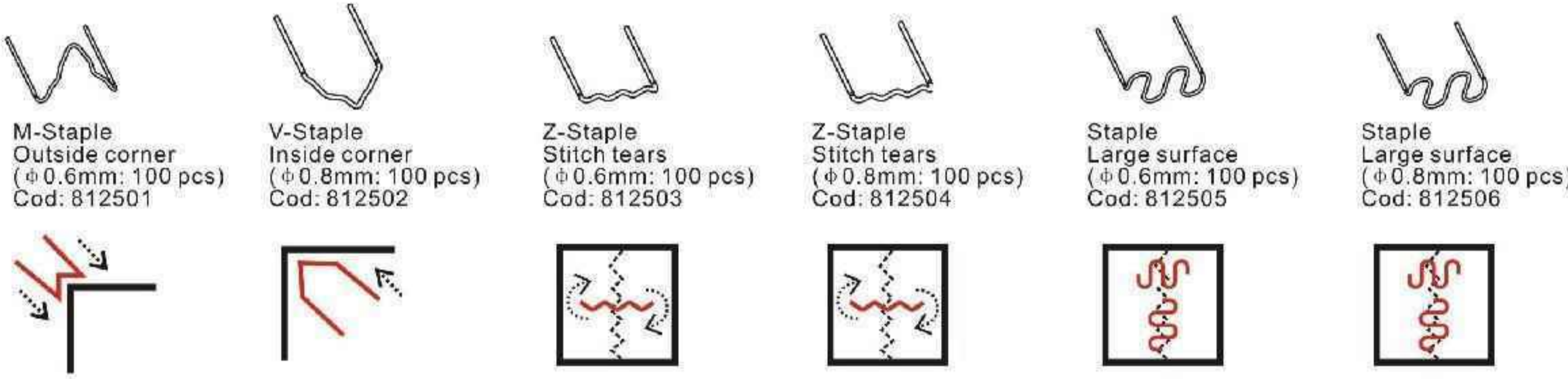
Bumpers

Side skirts

Reservoirs and tanks

Headlight tabs

### Standard Accessories

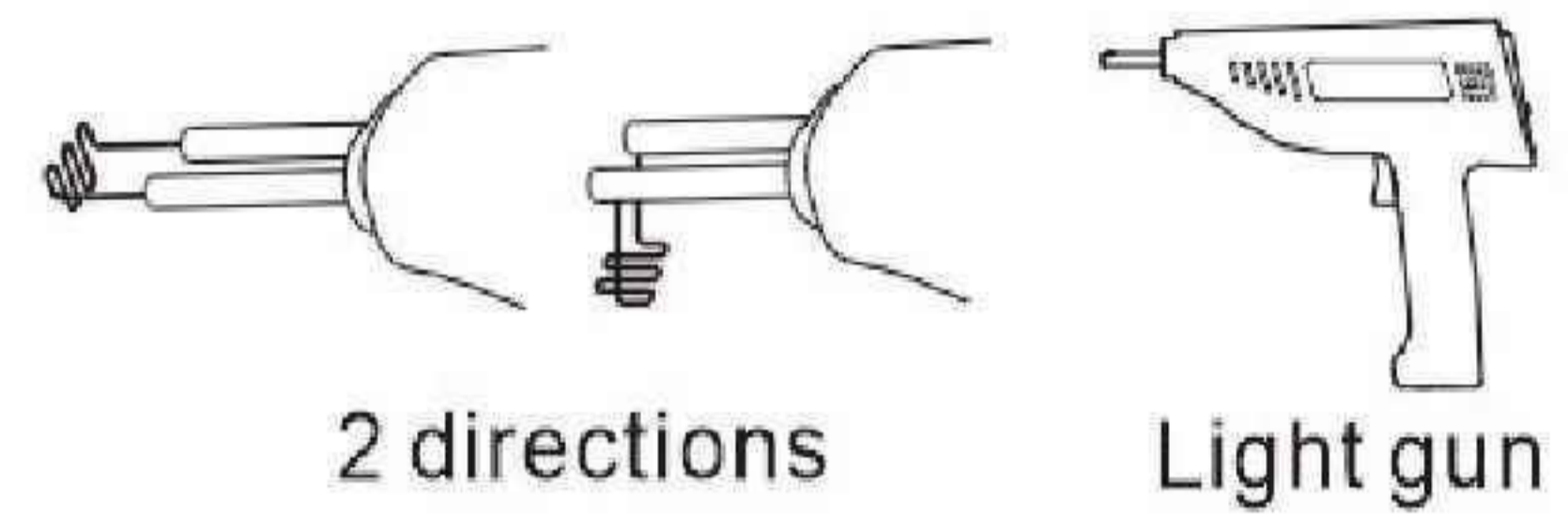


Soldering iron (for plastic flating)  
Cod. 812509



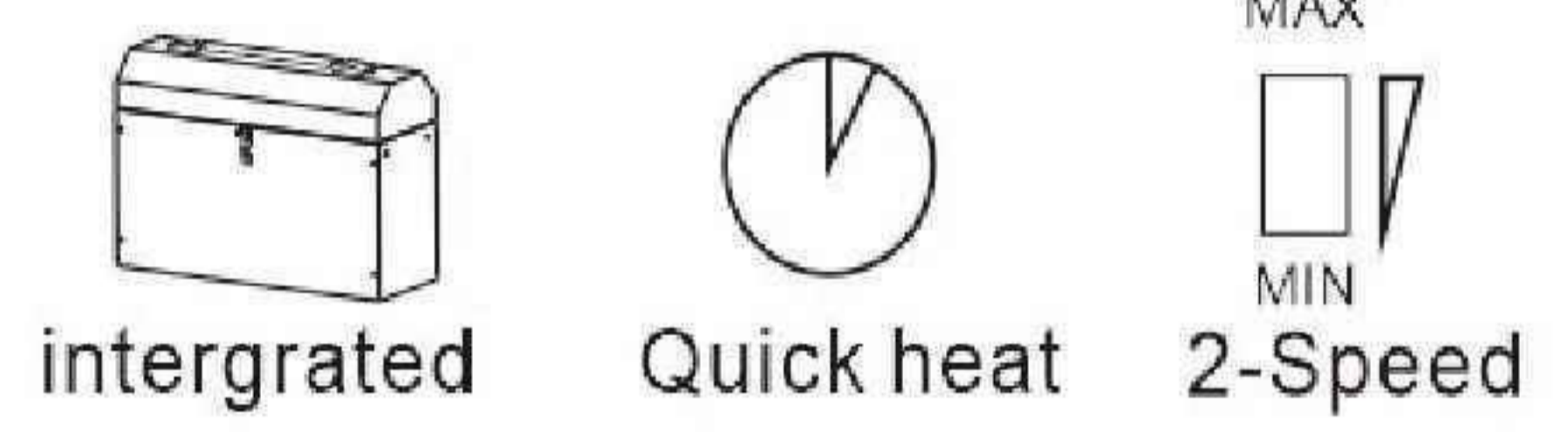
Package

Technical Data	
Model	H3
Voltage(50/60Hz)	AC 230V , 1ph
Power consumption	45-60W
Net weight	5.6kg



2 directions

Light gun



intergrated

Quick heat

MAX

2-Speed

# Hot Stapler

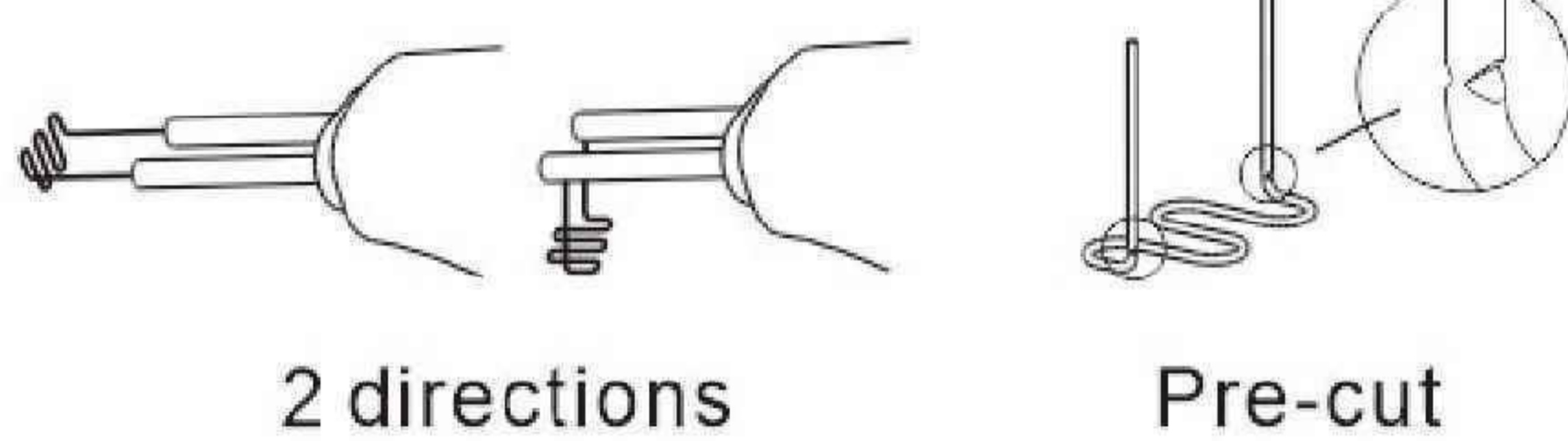
## H5

**Fast & Low Cost to repair all kinds of plastic parts!**

- Inverter technology to adapt unstable input power and save energy.
- High light LED for illumination.
- Each staple is equipped with a pre-cut point to eliminate the need for side cutters.
- Convenient and strong storage case.
- 10 seconds heating time.
- Suitable for various plastic types.
- Two directions for staple insert.
- Two different heating speeds.
- Light and easy to operate.
- Six sizes of staplers.

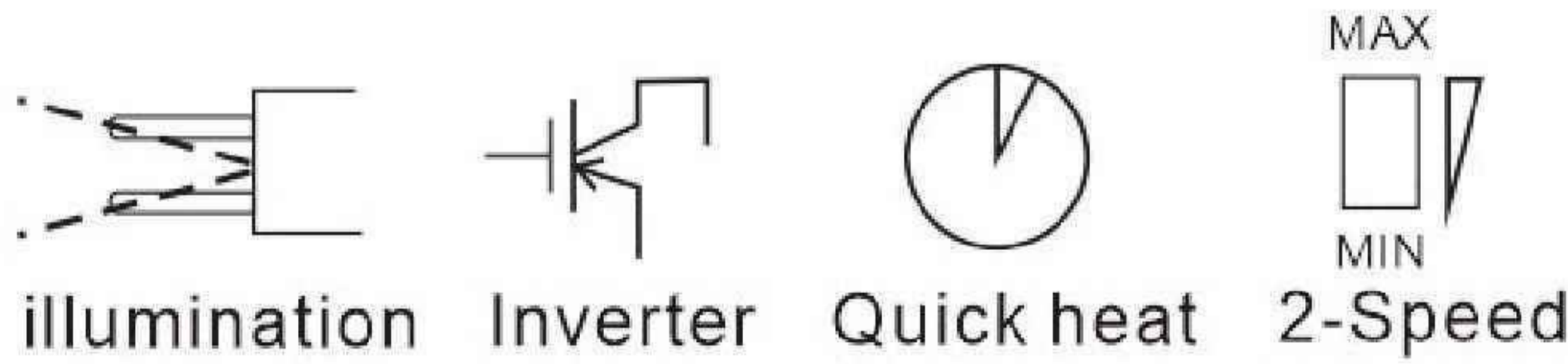


H5



2 directions

Pre-cut



illumination

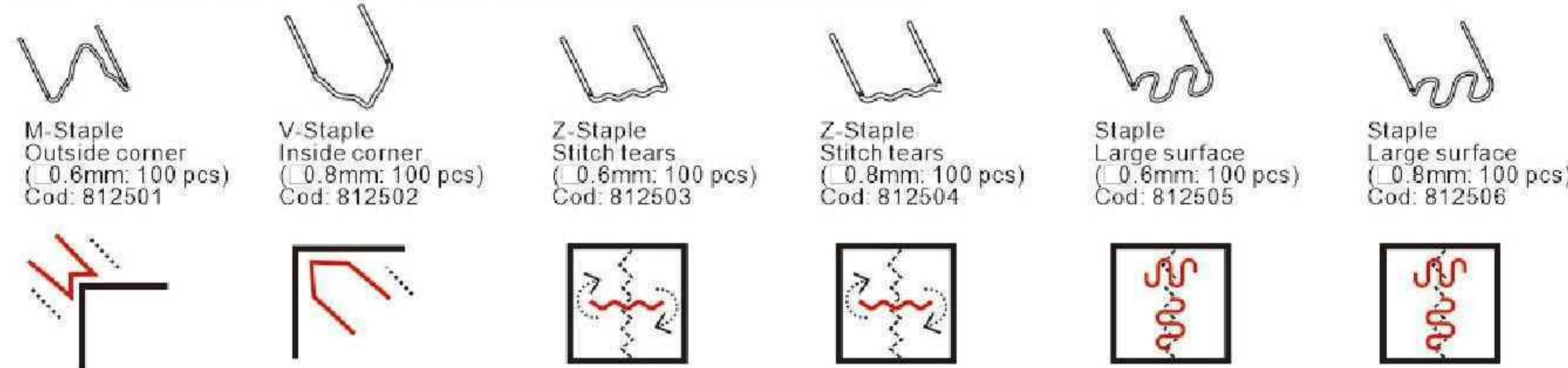
Inverter

Quick heat

MAX

2-Speed

### Standard Accessories



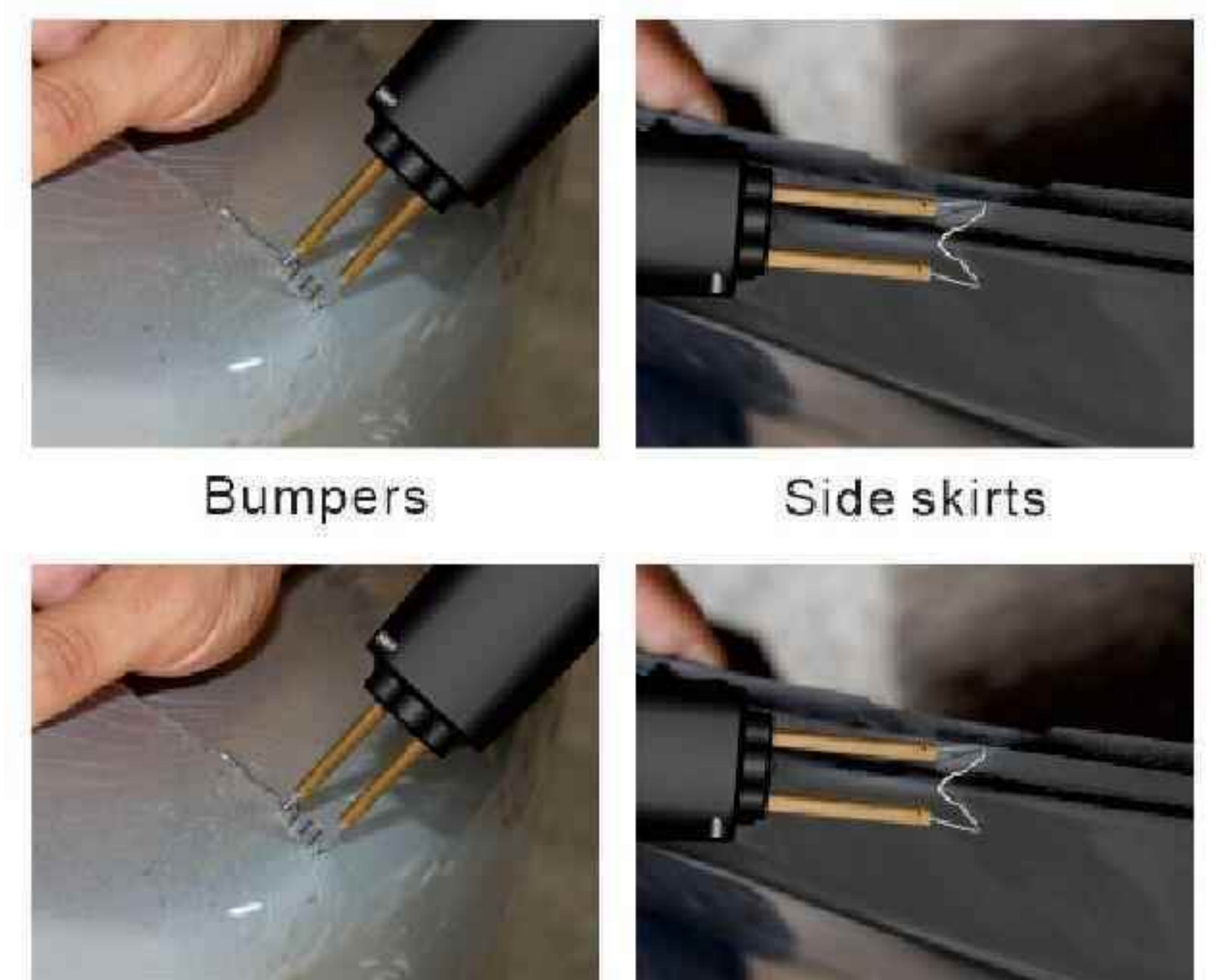
Iron (for plastic flating)  
Cod. 812509



Package

Technical Data	
Model	H5
Voltage(50/60Hz)	85-265V, 1ph
Power consumption(W)	40-50
Gun weight(kg)	2.9

### Which part to use



Bumpers

Side skirts

Bumpers

Side skirts

# DS1 Dent Puller System

## DS1

Functions: washer welding, carbon rod heating, partial heating and tempering for car body. suit for steel car body dent pulling.

- • •
- Microprocessor controlled, the multi-function control panel set the spot welding parameters automatically. And also allow to adjust the parameters by manual.
- When work on car top and narrow interior space, the main unit is separable from the trolley.
- Two-way control for welding, automatic detection set to plugged in control cable(DS1A3DS,DS1V3) .
- Thanks for high precision MCU controlled, no burn on welding point.
- For operation convenient, with automatic detection welding.
- 3 or 4 memory keys to store customized settings.
- With practical lever puller and quick puller.
- 3 flexible earth connecting.
- Inner fan for heat dissipation.
- Copper transformer.
- Thermal protection.



**DS13250S**

(Automatic welding)



Cables (3m)



**DS13250D**

(Automatic welding & manual welding)



Cables (3m)



**DS1v3**

(inverter, Automatic welding & manual welding)



Cables (3m)



Under 13A



**DS1**

(A3D)  
(A3DS)  
(V3)



### No burn on welded point:



Welded point by ordinary spotter



Welded point by DS1

### 3 unique earth connectings to choose:



1. With copper sheet



2. With magnet



3. With star washer

### DS1 Standard Accessories



(50pcs)



(3pcs)



(20pcs)



Cables(3m)  
Cod.655010



(10pcs)

(2pcs)

(3pcs)



Magnetic earth connector  
Cod.722932



(2pcs)  
Cod.655005



(1pc)  
Cod.655006



connection cable  
Cod.723006



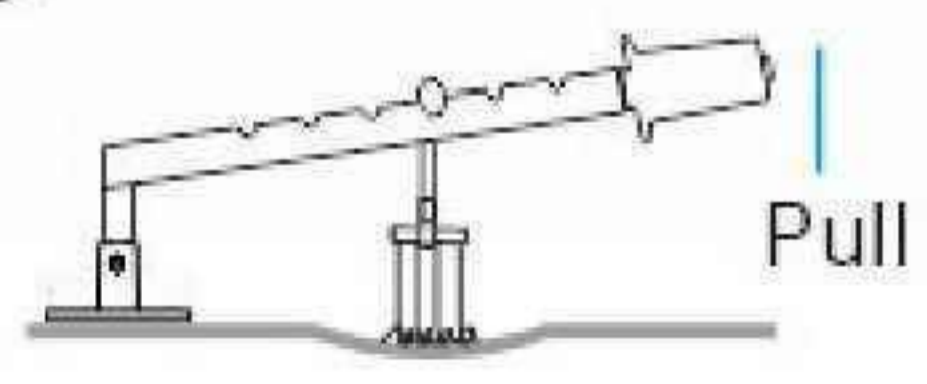
Cables (3m)  
Cod.655015



(3pcs)  
Cod.723008



Lever puller  
Cod.655773



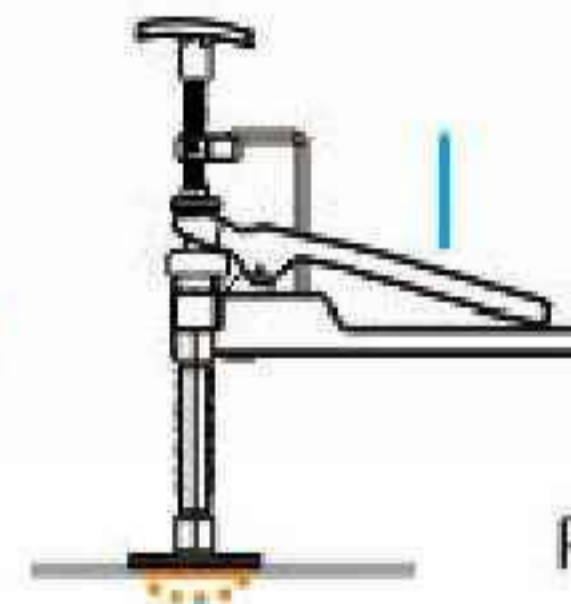
Pull



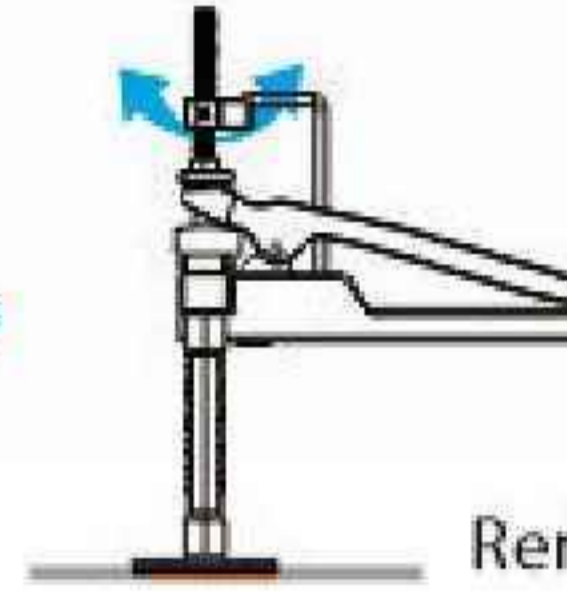
PL 4  
Cod.723004



Weld



Pull



Remove

### Technical Data

Model	DS13250S	DS13250D	DS1v3
Input voltage(50/60Hz)	230V 1ph	230V 1ph	230V ±15% 1ph
Charge voltage(V)	8-9.5	8-9.5	8-9.5
Max spot welding current(A)	1300	1300	1400
Dimensions(mm)	L570xW450xH1185	L570xW450xH1185	L570xW450xH1185
Power unit weight(kg)	20	20.5	7.5
Net weight(kg)	36	36.5	23.5

Input voltage can be customized

# DS2 Dent Puller System

## DS2

DS2 is special design for **steel car body dent pulling**.

Functions: washer welding, carbon rod heating, partial heating and tempering for car body.

- 
- Microprocessor controlled, the multi-function control panel set the spot welding parameters automatically. And also allow to adjust the parameters manually.
- When work on car top and narrow interior space, the main unit is separable from the trolley.
- Thanks for high precision MCU controlled, no burn on welding point.
- For operation convenient, with automatic detection welding.
- 3 or 4 memory buttons to store customized settings.
- With practical lever puller and quick puller.
- 3 flexible earth connecting.
- Inner fan for heat dissipation.
- Copper transformer.
- Thermal protection.



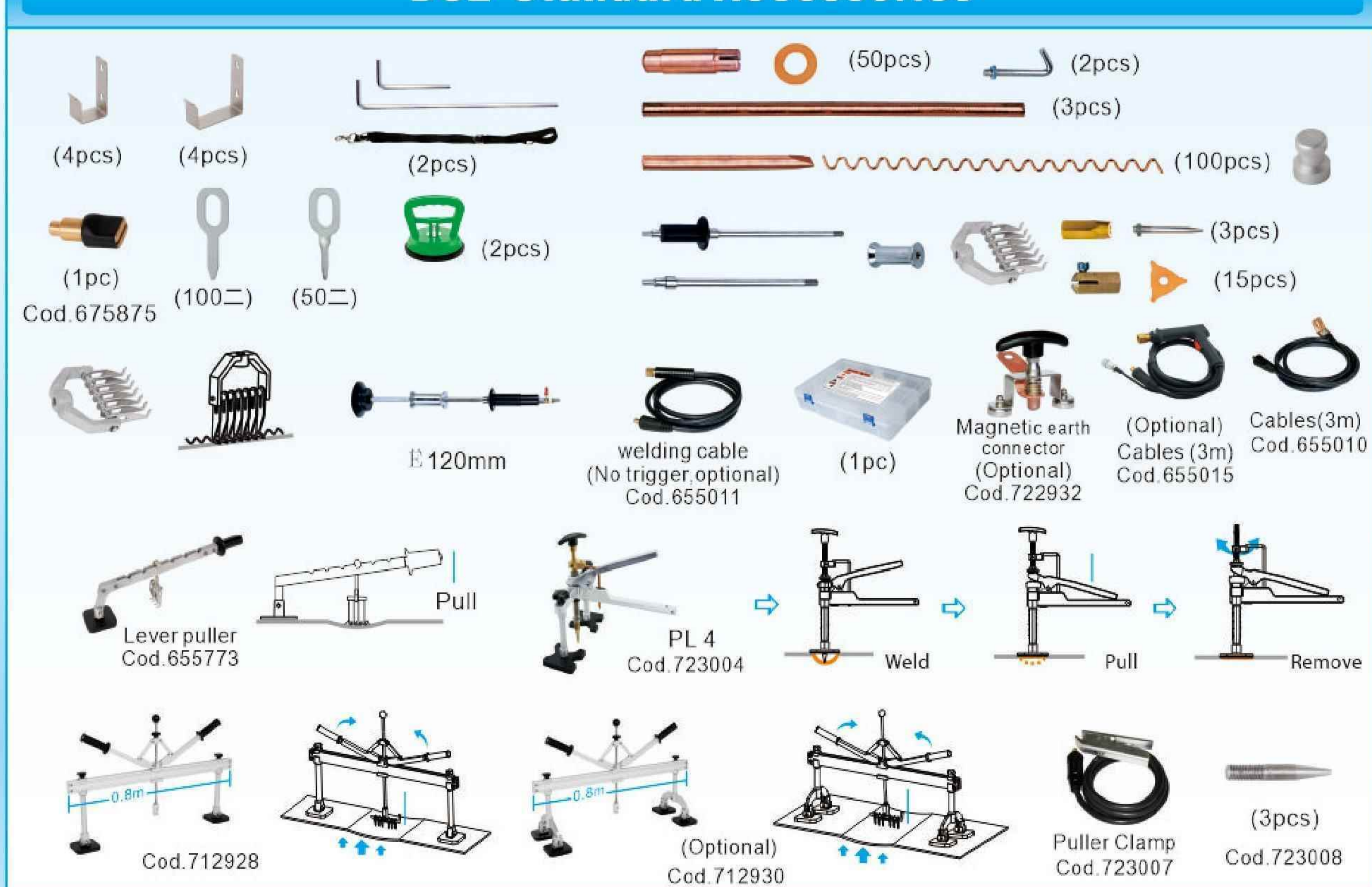
### No burn on welded point:



### 3 unique earth connectings to choose:



### DS2 Standard Accessories



### Technical Data

Model	DS23250S	DS23250D	DS2v3
Input voltage(50/60Hz)	230V 1ph	230V 1ph	230V ±15% 1ph
Charge voltage(V)	8-9.5	8-9.5	8-9.5
Max spot welding current(A)	1300	1300	1400
Dimensions(mm)	L580xW360xH810	L580xW360xH810	L420xW320xH470
Power unit weight(kg)	20	20.5	7.5
Net weight(kg)	125	125.5	112

Input voltage can be customized

# Dent Puller System

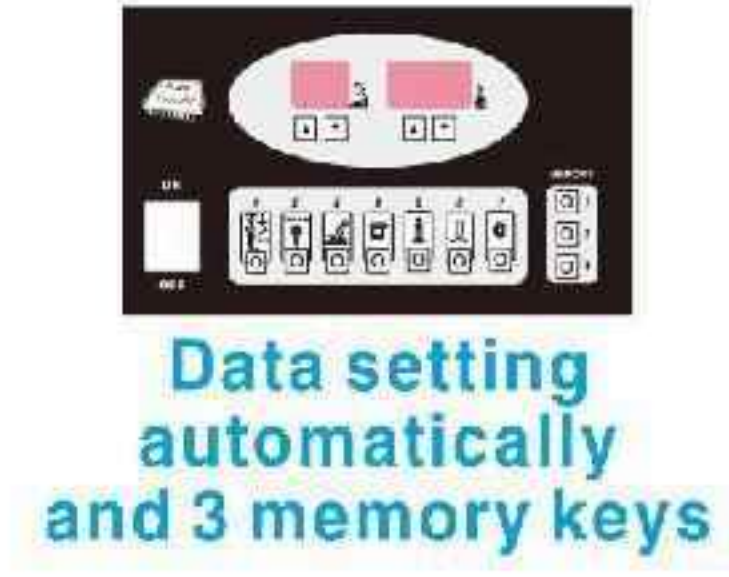
## DS3

DS3 is special design for **steel car body dent pulling**.

Functions: washer welding, carbon rod heating, partial heating and tempering for car body.

• • •

- Microprocessor controlled, the multi-function control panel set the spot welding parameters automatically. And also allow to adjust the parameters manually.
- When work on car top and narrow interior space, the main unit can be separated from the trolley.
- Thanks for high precision MCU controlled, no burn on welding point.
- With automatic detection welding.
- 3 memory buttons to store customized settings.
- 3 flexible earth connecting.
- Inner fan for heat dissipation.
- Copper transformer.
- Thermal protection.
- Compact, portable.



Back

Model	DS3
Input voltage(50/60Hz)	230V 1ph
Max power(kVA)	20
Output voltage(V)	8-9.1
Max spot welding current(A)	1300
Timing range(S)	0-1.2
Duty cycle(%)	40
Dimensions(mm)	L900xW460xH1620
Net weight(kg)	152
Input voltage can be customized	

No burn on welded point:



3 unique earth connectings to choose:



DS3

### DS3 Standard Accessories

<p>Quick puller (Optional) Cod.723001 (5pcs)</p>	<p>Weld → Pull → Remove</p>
<p>∅ 120mm ∅ 153mm</p>	<p>Sucking → Sliding → Finish</p>
<p>(3pcs) (15pcs)</p>	<p>Sliding → Sliding</p>
<p>Lever puller Cod.655773</p>	<p>Weld → Pull</p>
<p>(2pcs)</p>	<p>(100pcs)</p>
	<p>(100pcs)</p>
<p>(100pcs) (50pcs)</p>	
<p>0.8m</p>	<p>0.8m</p>
<p>0.4m (1 ton pulling force, for very thick panel pulling) 1.2m</p>	<p>(2pcs) (2pcs)</p>
<p>Magnetic earth connector (Optional) Cod.722932</p>	<p>Hammer set Cod.675879</p>

# Aluminum Spot Welder

## Information

### 1.Features of Aluminum.

The characteristics of aluminum include lightweight, fast heat dissipation, corrosion resistant, good elasticity, excellent anti shock properties, good moldability and easy to re-cycle. It is increasingly used in vehicle bodies. Advantages of an aluminum body car includes fuel economy, safety and strength. Many brands of cars utilize aluminium construction in full or in part such as BMW, Audi, Volvo, Land Rover, Mercedes Benz and etc.

Due to it's lower melting point and quick heat dissipation, special tools and methods are required to repair aluminum panels.

### 2.Necessary conditions for repairs of aluminum bodies and panels include.

Technicians will need special training.

The work area must be explosion proof with a dust arrest system to prevent build-up of aluminium dust. Aluminum dust is harmful when inhaled into the body. It is also highly flammable, therefore precautions must be in place to ensure safety in the work area.

Equipment must be positioned with the crossbeam corrector.

Aluminum tools must be kept separate and not mixed with the steel repair tools to prevent cross contamination. Steel dusts on aluminium panels can cause galvanic corrosion.

### 3.Procedures to repair the aluminum car body.

#### 1) Aluminum Panel Repairs.

Wood and soft faced tools, hammers, dollies can be used. To minimize stretching of aluminium panels, off dolly method is recommended. Restoration is done with the aluminum spotter together with the special tools such as the flat nose pliers to cut off the welded stud and then grinded down

Before restoration, it is recommended to heat aluminum panel moderately. Due to its low melting point (660°C) caution must be observed as aluminum melts easily and without warning.

When the aluminum is extended from the heating process it then slowly contracts for processing.

#### 2) Aluminum Panel Welding.

Before welding starts, apply paraffin or grease as an eliminating agent to clean the position that is to be welded.

When MIG welding aluminum, 100% argon gas should be used. Compare to MIG welding of steel, the gas flow rate should be increased by 50%. The welding torch position should be close to vertical.

Use only push technique for aluminium MIG welding. Pull techniques are not suitable for aluminium.

## AL8

Traditional transformer based dent/stud welders and spot welders, including inverter spot welders are unable to repair or weld aluminum panels. Solary's aluminum spotter with special welders is particularly suited for aluminum repair. Featuring the following functionalities:

- • •
- Capacitor-stored discharge technology.
- Utilize SUZUKI Japan's storage for energy capacity technology to ensure stable and strong output, without being affected by the circuit strength.
- Tip ignition technology with its discharge capacity reduces the welding process to a very short time (3 millisecond). This minimizes overheating that can cause deformation on the panels, or paint work and coatings on the reverse side of panels.
- Digital and LED display along with voltages adjustment functionality to ensure accurate control of welding process.
- Complete set of accessories to meet all repair requirements.
- Can also be used for stud welding of steel, copper and galvanized steel.



**AL8**



**AL8 operation demonstration figure**

### Technical Data

Model	AL 8
Input voltage(50/60Hz)	120V or 230V 1ph
Input power(kW)	1.6
Capacity(μF)	66000
Spot time (ms)	1-3
Stud welding range( mm)	3-8
Max welding speed (PCS/min)	20
Dimensions(mm)	L540xW400xH970
Cross weight (kg)	46.5

# Induction Heater

## H7

Strong heat stabilized thermoplastic housing provides increased durability to both inside and out. Featuring covered terminals for superior safety protection, granular slip resistant handle for improved ergonomics, and LED for illumination. Equipped with fan cooling and thermal protection.

- • •
- No damage to nearby heat sensitive parts.
- Heating through rubber or plastic.
- No open flame.



H7

Input (50/60Hz, 1ph): 120V,9A ; 230V,4.5A  
Net weight (kg): 3.8kg



Standard accessories and package

# Induction Heater

## H8E

H8E is an induction heater which can release a powerful heating on metals instantly, equipped with water cooling system, it supports big heating power with energy saving. It can be applied directly to the metals (steel and aluminum) without the need to disassemble nearby heat-sensitive components. Chassis, axles, joint reinforcements, bolts, clamping rings, pins and heavier steel parts can be heated up for simple loosening, adjusting or straightening. also suitable to break down adhesives.

A perfect machine for mechanical work and maintenance, especially for straightening of car bent frames, **good partner for car bench!**

### WATER COOLING SYSTEM

- With coolant liquid temperature display to monitor the remain constant working time.
- With smart energy management system, supply the required output by minimum power.

Automatic Cooling Technology A.C.T. is the cooler inside the induction heater that only works when needed. This smart technology can provide a quiet environment to the user and save power.

The technology incorporated in induction heater makes the machine extremely efficient and energy saving.



H8E

Technical Data	
Model	H8E
Maximum power output:	3500w
Frequency:	30kHz
Heat penetration:	10x18 mm/s
Constant working time:	About 20 minutes at 20°C
Input voltage:	15A.230V 1PH 50/60Hz
Working environment temperature:	0-40 degrees
Ingress protection class:	Ip21
Cooling system:	Water-cooled
Out put cable length:	2 meters
Dimensions:	W255xL433xH238
Weight:	16.9Kg(Without water) 18.5Kg(With water)

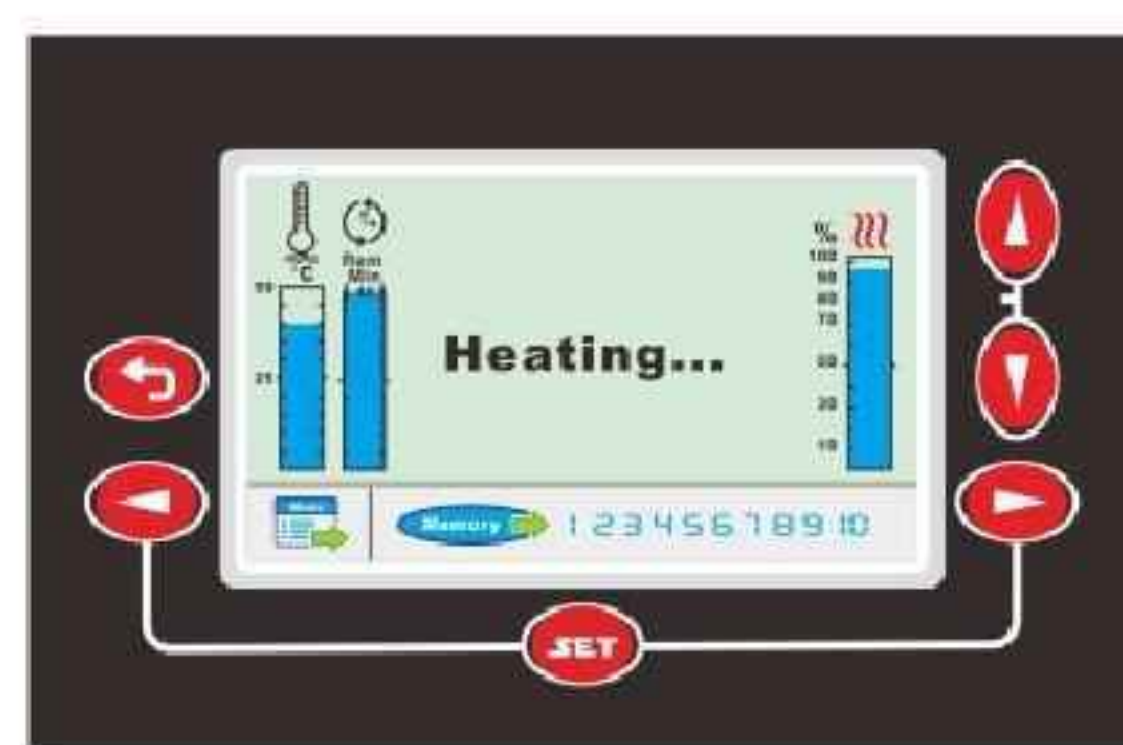


\*At 20°C environment temperature



# Liquid Cooled Induction Heater

## H10



Smart software

**WATER COOLING SYSTEM**



Water-cooled torch  
Cod.813901



Optional  
Straight torch  
Cod. 813902



4M

H10



Side member heating



Releasing of rusty bolts



Releasing of steering linkage



Aluminum heating

### Technical Data

Model	H10
Input voltage:	400V 3PH 50 or 60Hz(customized)
Maximum power output:	10KW.Adjustable between 0%-100%
Cooling system:	Water-cooled
Hose package:	4 meters
Dimensions(mm):	W675xL740xH1220 with handle
Weight (kg):	88Kg(Without water) 128Kg(With water)
Mains connection:	13A 3x400V 50/60Hz + PE
Working environment temperature:	0-40 degrees.
Temperature range:	0-+40°C
Ingress protection class:	IP21

# Liquid Cooled Induction Heater

## H12



Smart software

**WATER COOLING SYSTEM**



Water-cooled torch  
Cod.813901

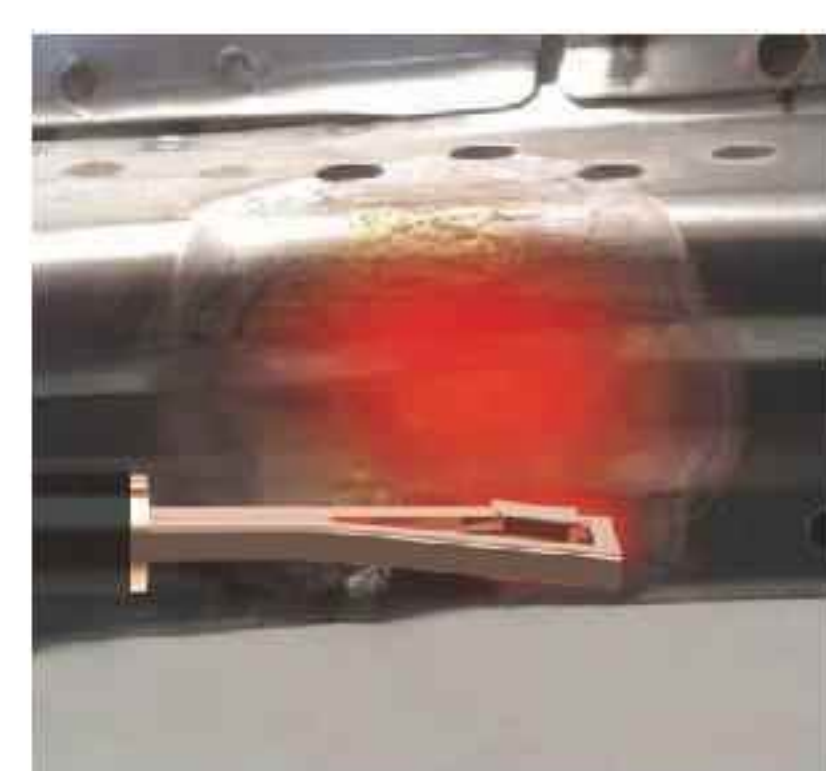


Optional  
Straight torch  
Cod. 813902



6M

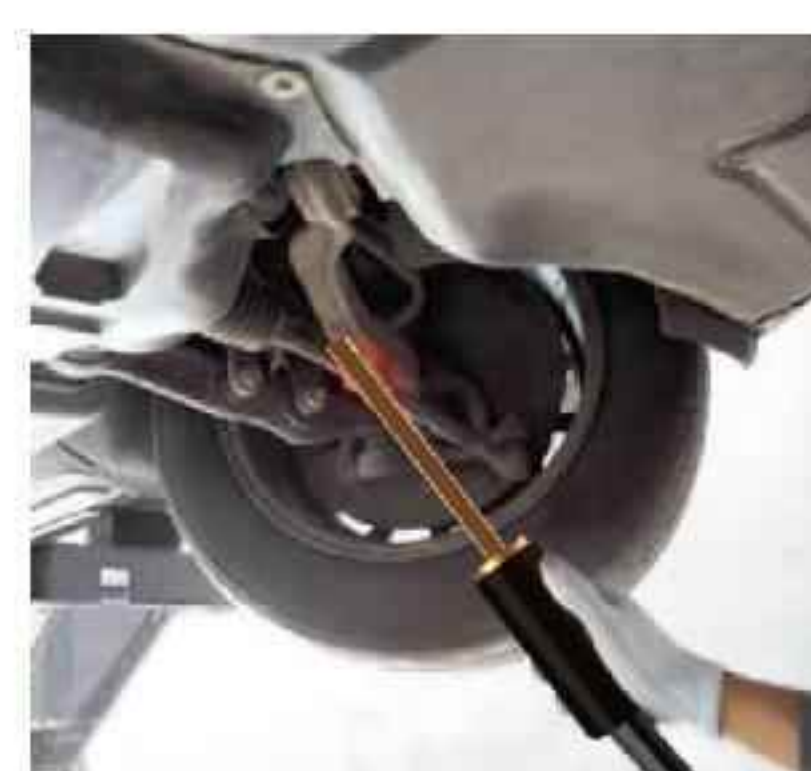
H12



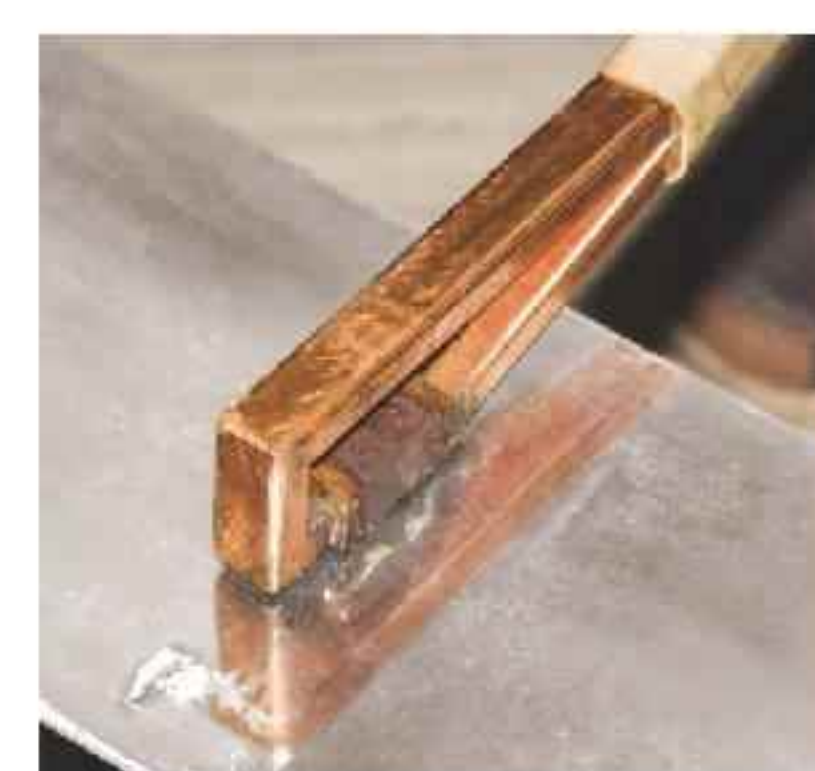
Side member heating



Releasing of rusty bolts



Releasing of steering linkage



Aluminum heating

### Technical Data

Model	H12
Input voltage:	400V 3PH 50 or 60Hz(customized)
Maximum power output:	12KW.Adjustable between 0%-100%
Cooling system:	Water-cooled with refrigerator
Hose package:	6 meters
Dimensions(mm):	W675xL770xH1220 with handle
Weight (kg):	105Kg(Without water) 145Kg(With water)
Mains connection:	16A 3x400V 50/60Hz + PE
Working environment temperature:	0-40 degrees.
Temperature range:	0-+40°C
Ingress protection class:	IP21

## Nh 100



## Technical Data

Model	Nh100
Input voltage(50/60Hz)	13A.400V 3PH
Maximum power output	10kW.Adjustable between 0%-100%
Frequency(kHz)	14-30
Heat penetration(mm/s)	10x30
Temperature range	0-+40°C
Working environment temperature	0-40 degrees
Ingress protection class	Ip21
Cooling system	Water-cooledwith refrigerator
Out put cable length	6 meters
Continuous working time	About 40 minutes
Dimensions(mm)	950 x 640 x930 with handle
Net weight(kg)	92(Without water)

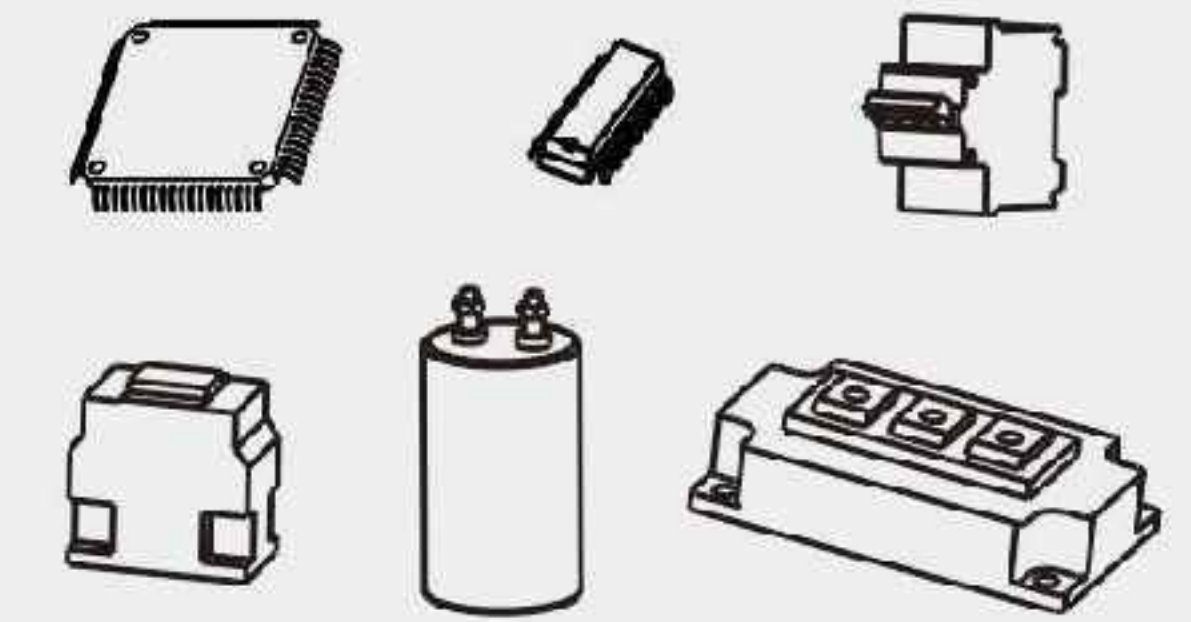
## INCLUDED

Water-cooled torch  
Cod.813901

## Optional

Straight torch  
Cod. 813902

\*World famous IGBT, switch and electronic parts.



Automatic Cooling Technology A.C.T. is the cooler inside the induction heater that only works when needed. This smart technology can provide a quiet environment to the user and save power.



The technology incorporated in induction heater makes the machine extremely efficient and energy saving .



Mentally Adaptive Energy Technology is an adaptive process regulator with variable frequency controls and extremely fast FPGA (Field Programmable Gate Array), providing a safe operation and energy saving control of the induction heating. This machine keeps adjusting the output by using the right amount of power necessary.

**A perfect machine for mechanical work and maintenance, especially for straightening of car bent frames, good partner for car bench!**



## Liquid Cooled Induction Heater

## Nh 120



Smart software

## Technical Data

Model	Nh120
Input voltage(50/60Hz)	16A.400V 3PH
Maximum power output	12kW.Adjustable between 0%-100%
Frequency(kHz)	14-30
Heat penetration(mm/s)	10x40
Temperature range	0-+40°C
Working environment temperature	0-40 degrees
Ingress protection class	Ip21
Cooling system	Water-cooledwith refrigerator
Out put cable length	6 meters
Continuous working time	About 40 minutes
Dimensions(mm)	950 x 640 x930 with handle
Net weight(kg)	104(Without water)

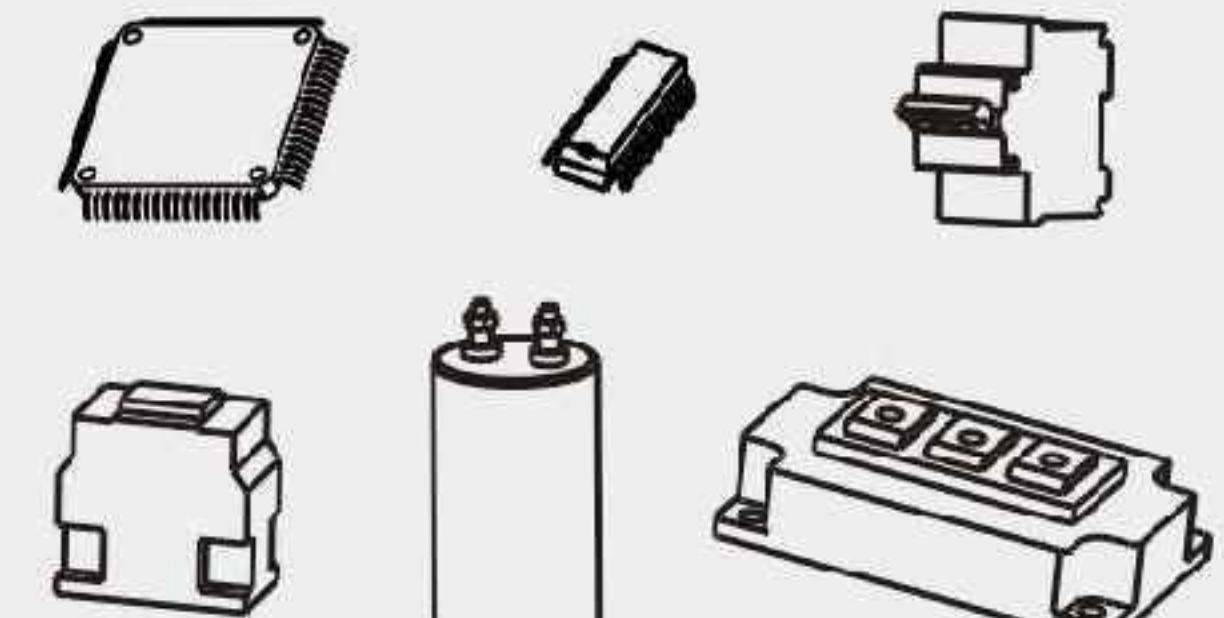
## INCLUDED

Water-cooled torch  
Cod.813901

## Optional

Straight torch  
Cod. 813902

\*World famous IGBT, switch and electronic parts.



Automatic Cooling Technology A.C.T. is the cooler inside the induction heater that only works when needed. This smart technology can provide a quiet environment to the user and save power.



The technology incorporated in induction heater makes the machine extremely efficient and energy saving .



Mentally Adaptive Energy Technology is an adaptive process regulator with variable frequency controls and extremely fast FPGA (Field Programmable Gate Array), providing a safe operation and energy saving control of the induction heating. This machine keeps adjusting the output by using the right amount of power necessary.

**A perfect machine for mechanical work and maintenance, especially for straightening of car bent frames, good partner for car bench!**



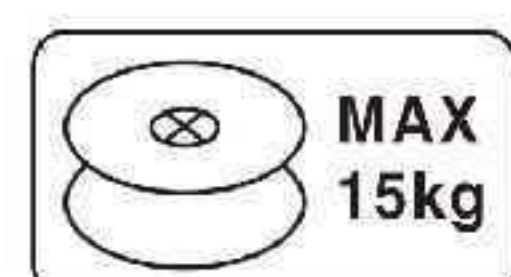
# MIG Welder

## MIG 220

Suitable for metal welding in industries such as shipbuilding, furniture making, construction, vehicle manufacture and maintenance.

• • •

- Special function for the sheet spot welding (not for long seam welder).  
Controlling the spot welding time and space to relieve the fatigue of operator's hand and wrist.
- Equipped with PWM system and two gear wheels wire feeder with strong power and smooth feeding for welding wire.
- Transformer made by two or three vertical winding coils with good heat dissipation and powerful.
- Equipped with relay from world top brands OMRON and Panasonic.
- Integrated circuit, function module.
- Excellent seam reshaping.
- Deep weld penetration.
- Enhanced productivity.
- Minimal fusing splash.
- Binzel welding gun.
- Stable arc starting.
- Tapped circuit.



Transformer



**MIG 220**

### Technical Data

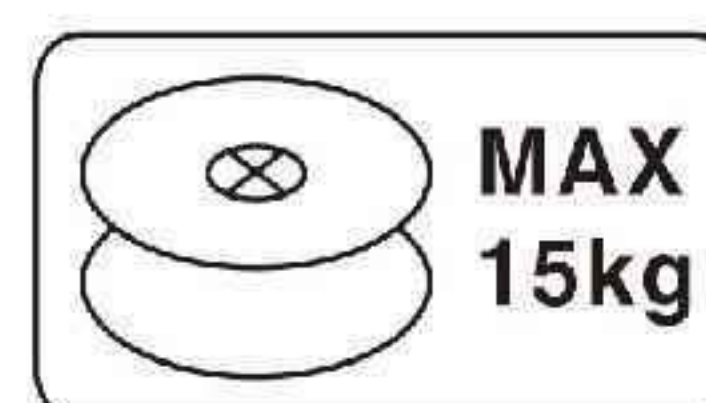
Model	MIG220
Input voltage(50/60Hz)	230V 1ph
Max power(kVA)	7.2
Output voltage(V)	32
Duty cycle(%)	45%
Dimensions(mm)	L820XW470XH685
Net weight(kg)	68

# MIG Welder

## MIG 250



**MIG 250**



Transformer

### Standard

					
Gas regulator Cod.123614(CO <sub>2</sub> ) Cod.123617(Ar <sub>2</sub> )	Anti-clogging agent Cod.655002			Binzel welding torch Cod.712913	Earth clamp kit (for MIG welder) Cod.655012

### Technical Data

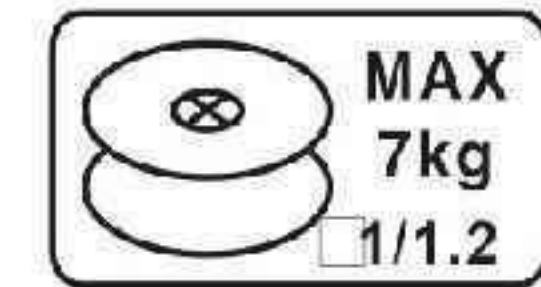
Model	MIG250	MIG280	MIG310
Input voltage(50/60Hz)	400V 3ph	400V 3ph	400V 3ph
Max power(kVA)	9.5	9.8	10.2
Output voltage(V)	40	42	45
Duty cycle(%)	50%	50%	50%
Dimensions(mm)	L840XW470XH725	L840XW470XH725	L840XW470XH725
Net weight(kg)	91	93	96

# Inverter Aluminum MIG Welder

## MIG 220

Include IGBT inverter, soft switching control technology and fast arc ignition system to ensure an efficient and steady welding. Materials' mechanical properties are maintained with less welding deformation and spatter. User can quickly and easily weld car bodies with various materials and achieve the ultimate performance with minimum post welding treatment work.

- SYNERGIC function - rapid and easy setting of welding programs. Ensures a constant strong control on the arc for the quality of welding.
- Applicable on a wide range of materials such as steel, stainless steel, HSS high strength steels, galvanized sheets, aluminum and its alloys.
- Double-pulse technology ideal for aluminum welding.
- Digital display panel and the latest PWM control technology.
- Suitable for soft wire such as the AISi5 or AISi12 (recommended for car body repairs)
- Four-roll dual drive wire feeder.



Synergy

POP  
Pulse On Pulse

PULSE

400



Binzel

## MIG 230S

## Information

### The outstanding performance and the characteristic of inverter MIG welder

- Reliable arc made by strong material to minimize splash.
- High power factor to reach more than 0.9.
- Fast welding speed, comprehensive sets of functions.
- Premium welding performance with versatility on adaptation range.
- High efficiency, low power loss.
- Steady and smooth output voltage with strong anti-interference ability.
- Customizable welding power to meet the various welding requirements.
- Automatic welding with rapid response and dynamic characteristics.
- Perfect for steel, aluminum, iron and other metal materials surfaces. the volume and weight greatly reduced, compared with the conventional 40%-50% welding machine.

### Technical Data

Model	MIG 230S
Input voltage(50/60Hz)	400V 3ph
Max power(kVA)	10.5
Output voltage(V)	52
Duty cycle(%)	60%
Dimensions(mm)	L840XW470XH725
Net weight(kg)	52

### Standard



Gas regulator  
Cod.123614(CO<sub>2</sub> )  
Cod.123617(Ar<sub>2</sub> )



Anti-clogging agent  
Cod.655002



Binzel welding torch  
Cod.712913



Earth clamp kit  
(for MIG welder)  
Cod.655012

# Battery Charger

24V 30A

48V 30A

Battery charger is suitable for all kinds of motorcycles, automobiles and ships.

- Overload protector: no hassle of changing output fuse.
- Low input resistance and high output current.
- Powerful transformer for longer operations.
- Superior longer lasting changeover switch.
- Polarity inversion safeguard.



24V30A

48V30A



OPTIONAL  
(Cod.712990)

## Technical Data

Model	24V30A		48V30A				
Input voltage(50/60hz)	230V 1ph		230V 1ph				
Max power(KVA)	0.6		1.3				
Charge current)(A)	30	30	11	30	30	30	30
Charge voltage (V)	12	24	6	12	24	36	48
Rates reference capacity(A/H)	AH 15h 10-500		AH 15h10-100-300-300-300-300				
Current regulation levels	6		6				
Dimensions(mm)	L400 x W380 x H280		L400 x W380 x H280				
Net weight(KG)	17		24				

Input voltage can be custom made.

## Battery Charger & Starter

550

750

850

1300

Battery charger is suitable for all kinds of motorcycles and ships that use gas or diesel. Can also use as a starter for cars, vans, tractors, light and heavy trucks.

- Can charge more than 1 battery at the same time.
- Low input resistance and high output current.
- Displays charge and start currents.
- 2 functions in 1 (charge & start).
- Superior longer lasting switch.
- Automatic thermal protection.
- Wide adjustable timer range.
- Polarity inversion safeguard.



550



750



850



1300

## Technical Data

Model	550		750		850		1300	
Input voltage(50/60Hz)	230V 1ph		230V 1ph		230V 1ph		230V 1ph	
Rated power(kVA)	1.2		1.5		2		3	
Charge voltage(V)	12	24	12	24	12	24	12	24
Max charge current(A)	80		140		140		140	
Max starting current(A)	550		750		850		1300	
Current regulation levels	6		6		6		6	
Dimensions(mm)	L340xW450xH810		L340xW450xH810		L340xW450xH810		L340xW450xH810	
Net weight(kg)	27		32		38		48	

Input voltage can be custom made

# Battery Charger & Starter

1800

2600

Battery charger is suitable for all kinds of motorcycles and ships that use gas or diesel. Can also use as a starter for cars, vans, tractors, light and heavy trucks.

- • •
- Can charge more than 1 battery at the same time.
- Low input resistance and high output current.
- Displays charge and start currents.
- 2 functions in 1 (charge & start).
- Superior longer lasting switch.
- Automatic thermal protection.
- Polarity inversion safeguard.
- Wide adjustable time range.



1800



2600

## Technical Data

Model	1800	2600
Input voltage(50/60Hz)	400V 2ph	400V 2ph
Rated power(kVA)	4.5	6
Charge voltage(V)	12   24	12   24
Max charge current(A)	150	150
Max starting current(A)	1800	2600
Current regulation levels	6	6
Dimensions(mm)	L470xW500xH860	L470xW500xH860
Net weight(kg)	58	81

Input voltage can be custom made

# Automobile smoke leak detector

## SD 308

Smoke leak detector is specially designed for leakage detection of automobile intake system, fuel system, cooling system and other pipelines. It is suitable for all household cars, motorcycles, snowmobiles, SUVs, ATVs, light trucks and speedboats. It is the golden partner of the automobile diagnostic instrument. With the use of the automobile diagnostic instrument, it can accurately judge the location of the leaking point and quickly detect the hidden fault of the automobile engine.

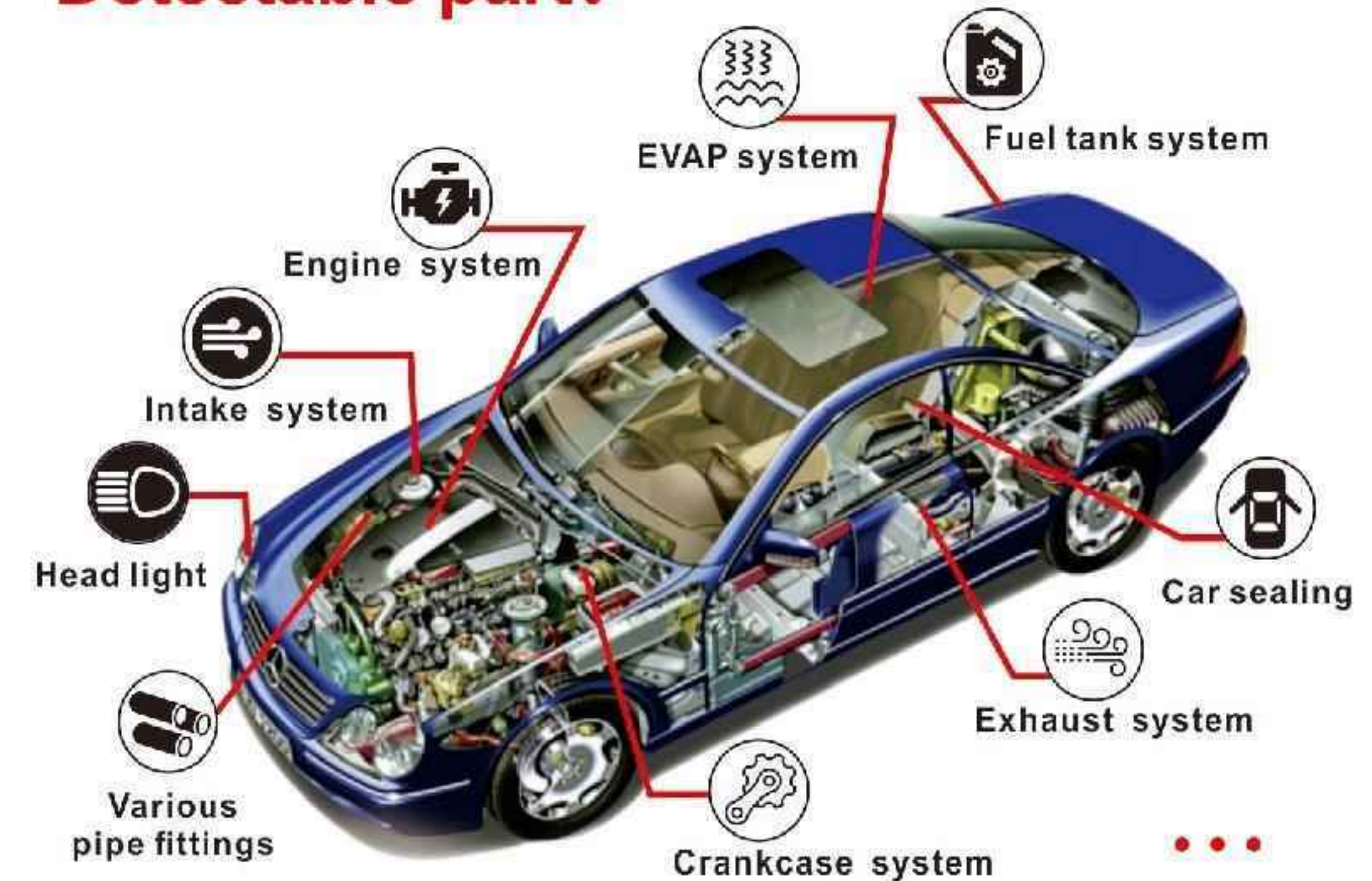
Applicable but not limited to leak detection of the below system components: throttle shaft, turbocharger system, intercooling system, three-way catalysis, exhaust gas recirculation valve, brake booster, front and rear oil seals, air chamber cover, gaskets ring and connectors, diaphragm and valve seat, headlamp assembly, vacuum pipe and other soft pipes, central locking system, door and window seals, oil circuit, coolant circulation system.

- built in air pump ,with pressure gauge and flowmeter.
- flow adjustable and high temperature protection.
- Supply smoke quickly and heavy.
- 12V DC ,voltage power.
- compact and portable.



**SD308**

### Detectable part:



### Technical Data

Model	SD308
Power voltage	DC12V (car power)
Output pressure	23psi
Output flow	10-20L/min
Pressured air supply	Air pump inside
Test oil volume	100ml
Dimensions(mm)	150x150x270
Net weight(kg)	3.6

## Standard Accessories



Power cord  
Cod.725118



Pipe  
Cod.725119



Pipe adapter  
Cod.725120



Inlet port adapter  
Cod.725121



Cone adapter set  
Cod.725122



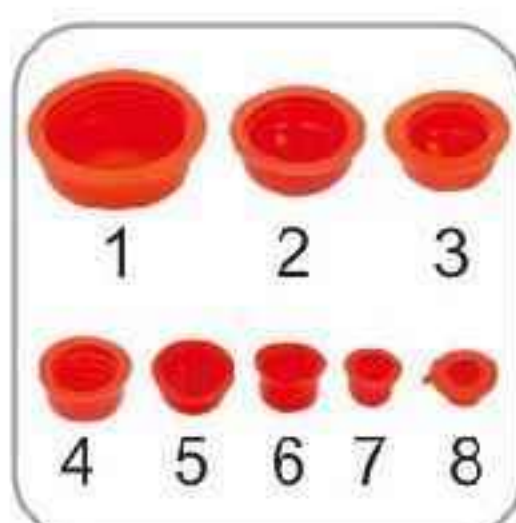
EVAP adapter  
Cod.725123



Hook  
Cod.725124



Valve core wrench  
Cod.725125



Round plug set Cod.725100  
1. Cod.725101 5. Cod.725105  
2. Cod.725102 6. Cod.725106  
3. Cod.725103 7. Cod.725107  
4. Cod.725104 8. Cod.725108



Cone plug set Cod.725109  
1. Cod.725110 5. Cod.725114  
2. Cod.725111 6. Cod.725115  
3. Cod.725112 7. Cod.725116  
4. Cod.725113 8. Cod.725117



Smoke oil-1  
Cod.725126



Smoke oil-2  
Cod.725127

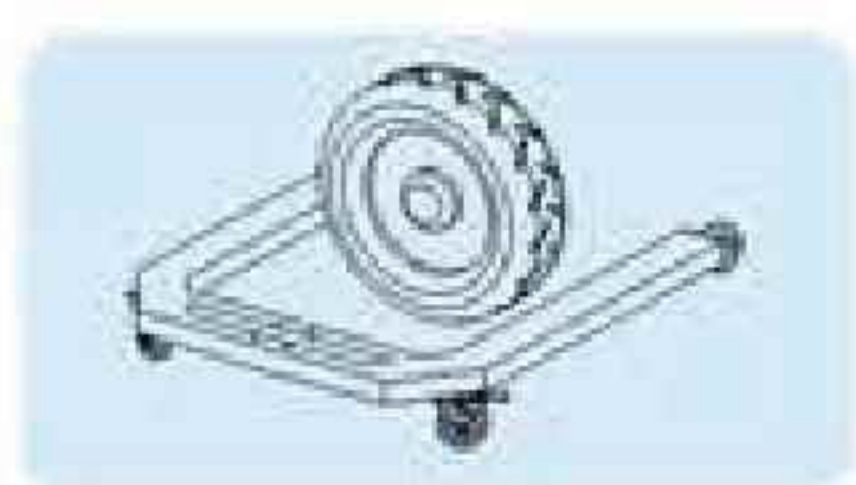
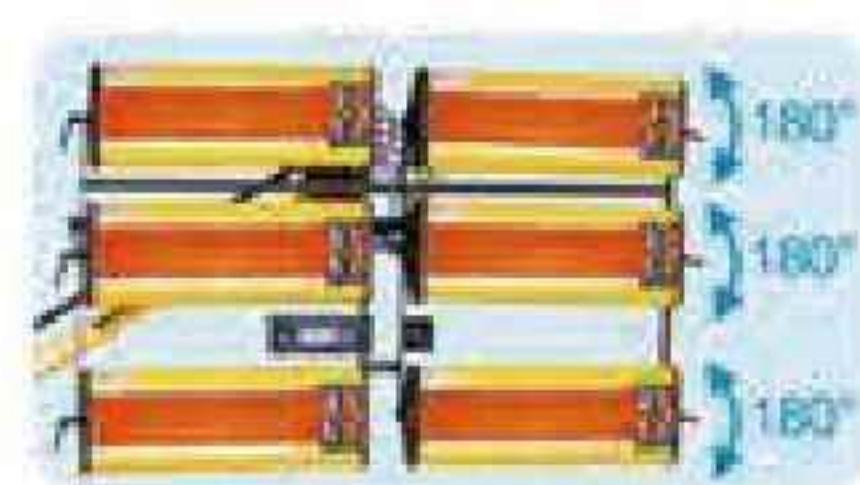
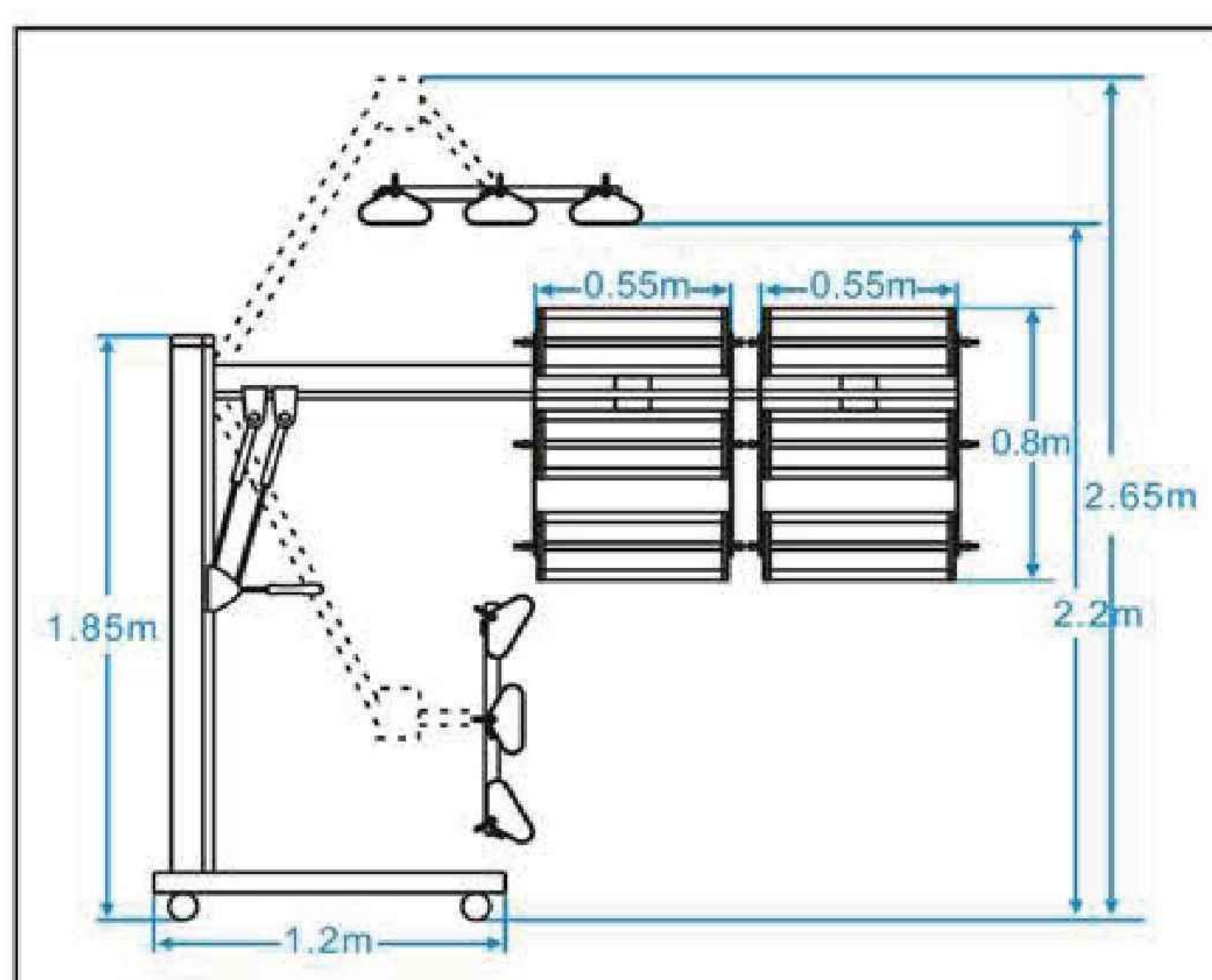
# Paint Curing Equipment

B6

B6S

B6ST

- High performance.
- Modern and attractive design.
- Advance paint curing technology.
- Digital displays shows remaining cure time.
- Switch: CE/UL certified, high quality and stable performance.
- Pre-heat and full baking function to achieve gradual temperature increase.
- Key electronic components made in USA/Japan or with CE/UL certification.
- Memory function: can set and store 4 frequently used programs making it convenient.
- Individual adjustable emitter cassettes has a long life emitter with life span up to 6000 hours.
- New control panel with ergonomic push buttons with life span 10 times that of mechanical knobs.
- Lamp cassette assembly can be rotated and swivels to achieve best drying position. Convenient height adjustment with two gas struts.
- Ideal for polyurethane paint (double components paint), single component paint and water based paint.
- Powerful penetration directly into the inner paint layer; completely drying two component paints within 15 minutes and polyester putty within 5 minutes.
- Ultrasonic distance sensor equip with thermo-compensation, at  $-40^{\circ}\text{C} \sim +85^{\circ}\text{C}$  have super precision; temperature sensor has red laser for take aim.
- B6S: With ultrasonic distance sensor.
- B6ST: With ultrasonic distance sensor & temperature control.



Can go through the tire



Ultrasonic distance sensor panel



Red laser for take aim  
Temperature sensor



Europe and USA standard components



Control panel



B6

B6S

B6ST

<b>B6</b>				Basic function: pre-heat and full baking		
<b>B6S</b>					Basic function, and equipped with ultrasonic distance sensor	
<b>B6ST</b>						Basic function, and equipped with ultrasonic distance sensor and temperature controller

## Technical Data

Model	B6	B6S	B6ST
Input voltage(50/60Hz)	230V 1Ph	230V 1Ph	230V 1Ph
Emitter power(W)	6x1050	6x1050	6x1050
Max power(kVA)	6.4	6.4	6.4
Timing range(min)	2x35	2x35	2x35
Baking area(m <sup>2</sup> )	1x1.5	1x1.5	1x1.5
Temperature(°C)	60-70	60-70	60-70
Net weight(kg)	66.5	67	67

Input voltage can be custom made, e.g. 400V 1ph, 400V 3ph



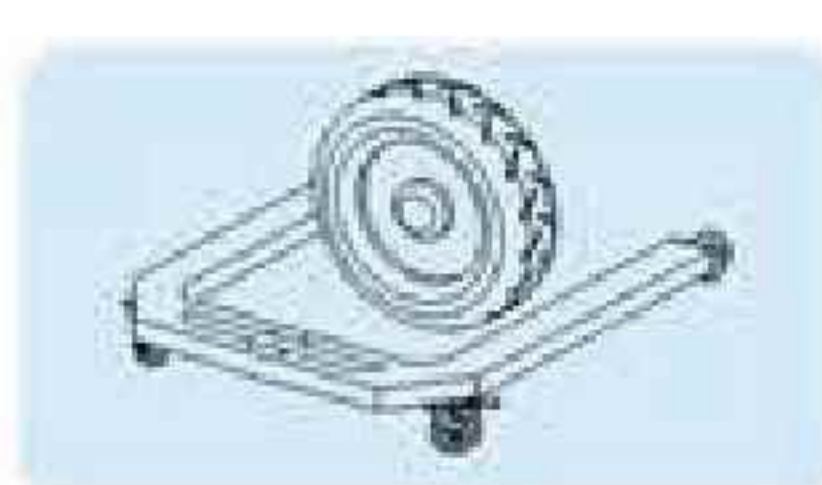
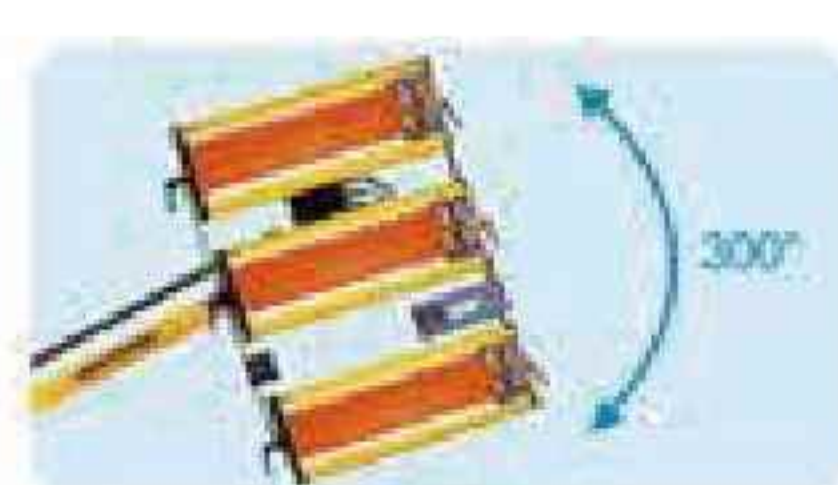
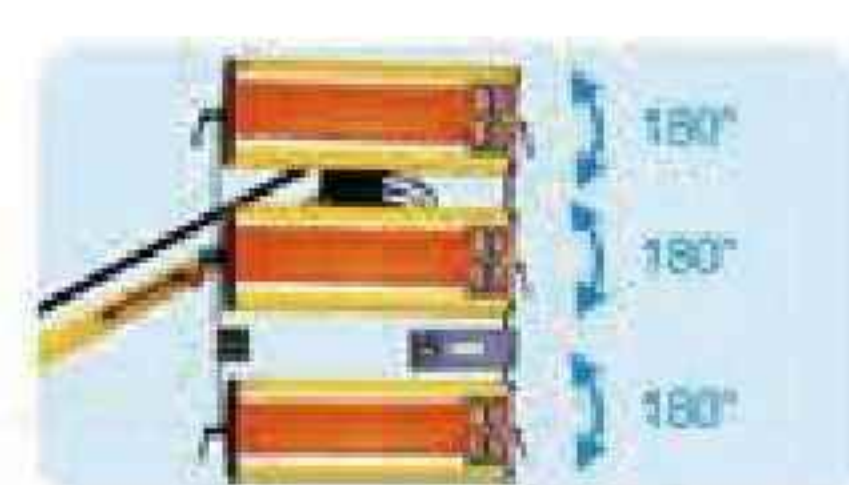
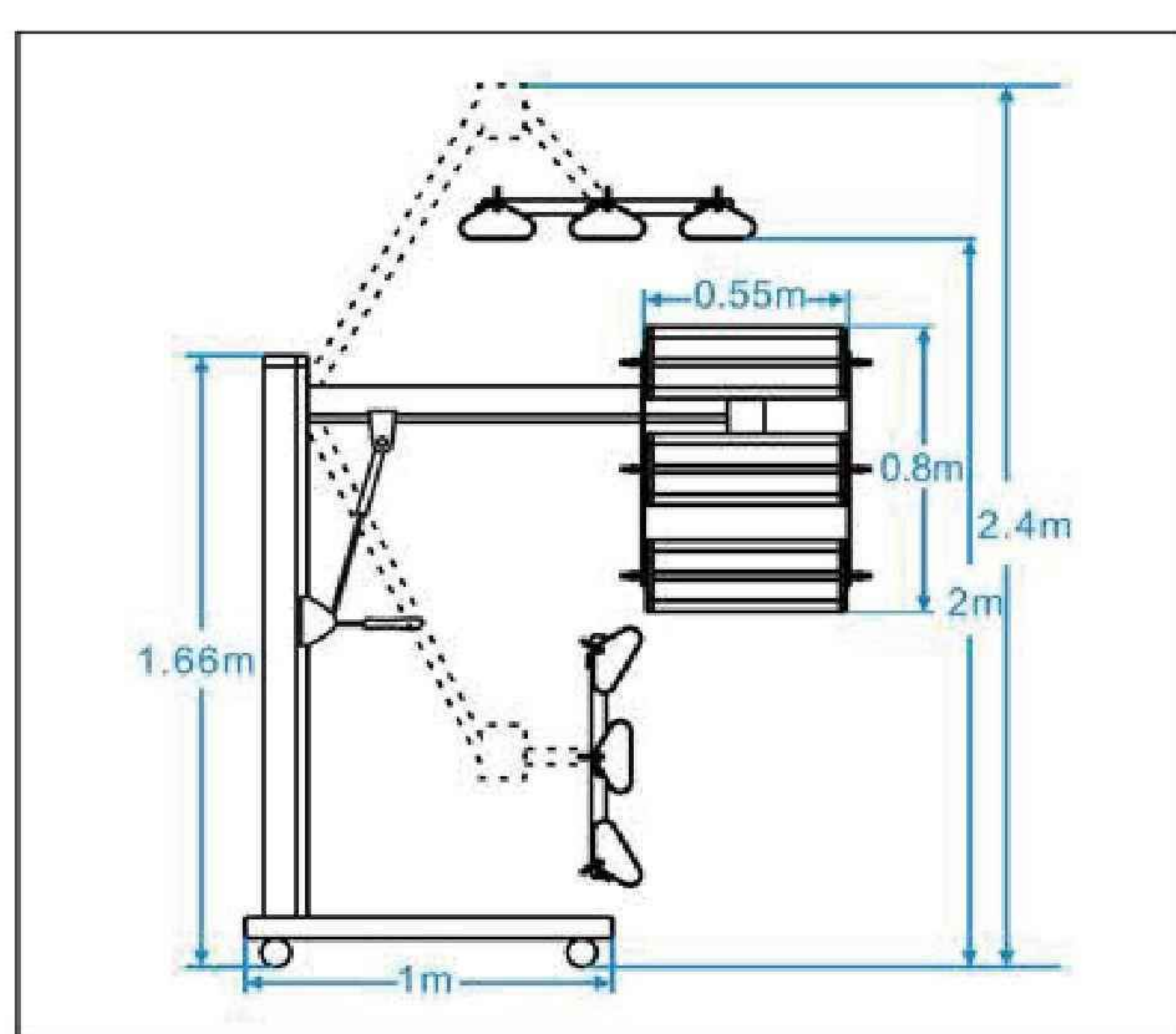
# Paint Curing Equipment

**B3**

**B3S**

**B3ST**

- High performance.
- Modern and attractive design.
- Advance paint curing technology.
- Digital displays shows remaining cure time.
- Switch: CE/UL certified, high quality and stable performance.
- Pre-heat and full baking function to achieve gradual temperature increase.
- Key electronic components made in USA/Japan or with CE/UL certification.
- Large and wide chassis can horizontally enter the bottom of the car through the tire.
- Memory function: can set and store 4 frequently used programs making it convenient.
- Individual adjustable emitter cassettes has a long life emitter with life span up to 6000 hours.
- New control panel with ergonomic push buttons with life span 10 times that of mechanical knobs.
- Lamp cassette assembly can be rotated and swivels to achieve best drying position. Convenient height adjustment with gas strut.
- Ideal for polyurethane paint (double components paint), single component paint and water based paint.
- Powerful penetration directly into the inner paint layer; completely drying two component paints within 15 minutes and polyester putty within 5 minutes.
- Ultrasonic distance sensor equip with thermo-compensation, at -40°C~ +85°C have super precision; temperature sensor has red laser for take aim.
- B3S: With ultrasonic distance sensor.
- B3ST: With ultrasonic distance sensor & temperature control.



Can go through the tire



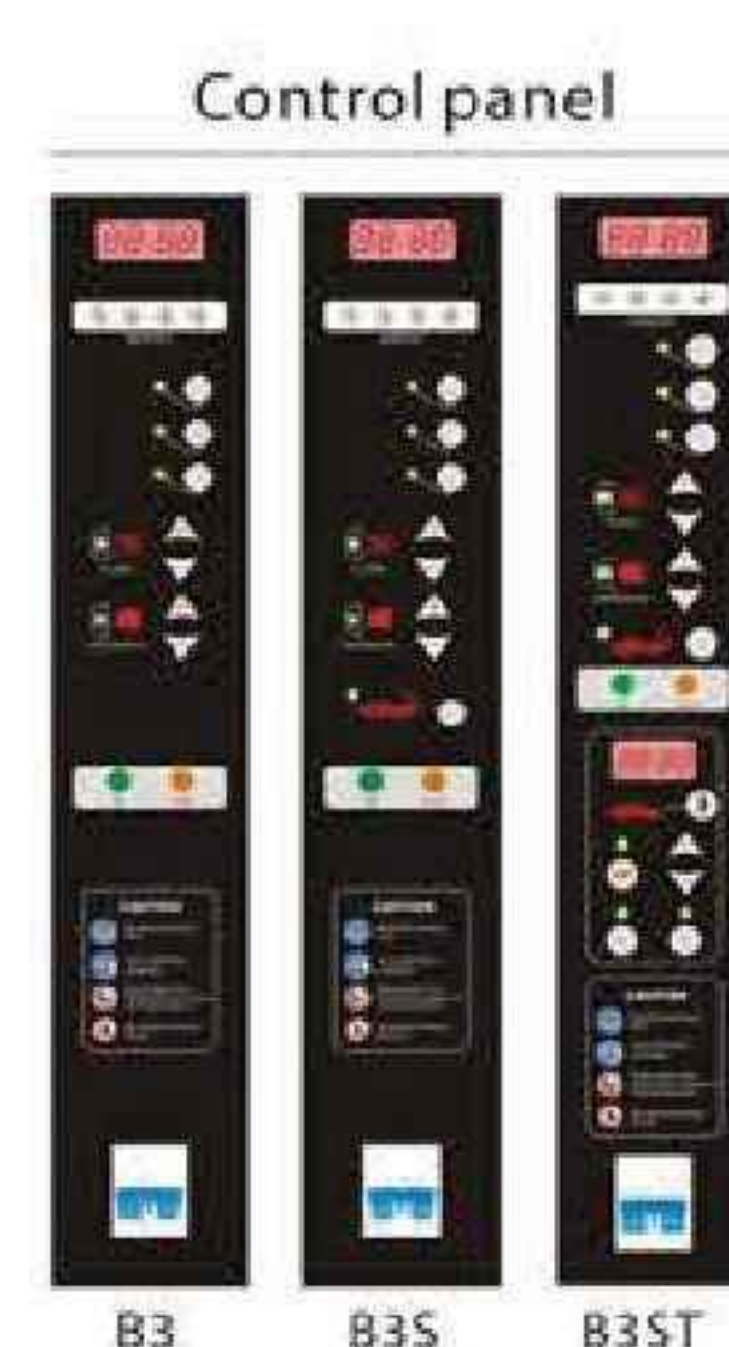
Ultrasonic distance sensor panel



Red laser for take aim  
Temperature sensor



Europe and USA standard components



<b>B3</b>					<b>M</b>	Basic function: pre-heat and full baking		
<b>B3S</b>					<b>M</b>		Basic function, and equipped with ultrasonic distance sensor	
<b>B3ST</b>					<b>M</b>			Basic function, and equipped with ultrasonic distance sensor and temperature controller

## Technical Data

Model	B3	B3S	B3ST
Input voltage(50/60Hz)	230V 1Ph	230V 1Ph	230V 1Ph
Emitter power(W)	3x1050	3x1050	3x1050
Max power(kVA)	3.2	3.2	3.2
Timing range(min)	2x35	2x35	2x35
Baking area(m <sup>2</sup> )	1x0.8	1x0.8	1x0.8
Temperature(°C)	60-70	60-70	60-70
Net weight(kg)	39	39	39
Input voltage can be custom made, e.g. 400V 1ph, 400V 3ph			

# Paint Curing Equipment






**B3E**

**B3EA**

B3EA Baking power (temperature) is adjustable.



B3E B3EA  
Control panel

<b>B3E</b>	 	Function: Timer, full baking
<b>B3EA</b>	  	Function: Timer, full baking, Power adjustable

### Technical Data

Model	B3E	B3EA
Input voltage(50/60Hz)	230V 1Ph	230V 1Ph
Emitter power(W)	3x1050	3x1050
Max power(kVA)	3.2	3.2
Timing range(min)	0-30	0-30
Baking area(m <sup>2</sup> )	1x0.8	1x0.8
Temperature(°C)	60-70	40-70
Net weight(kg)	39	39
Input voltage can be custom made, e.g. 400V 1ph, 400V 3ph		

# Paint Curing Equipment

**B2**

**B2S**

- Powerful penetration directly into the inner paint layer; completely drying two component paints within 15 minutes and polyester putty within 5 minutes.
- Ultrasonic distance sensor for easy adjustments of distance to reach perfect drying results (B2S).
- Key electronic components made in USA/Japan or with CE/UL certification.
- Pre-heat and full baking function to achieve gradual temperature increase.
- Short wave infrared emitter modules with high light emitting efficiency.
- Switch: CE/UL certified, high quality and stable performance.
- Long life emitter: life span up to 6000 hours.
- Even radiation.



B2  
Control panel

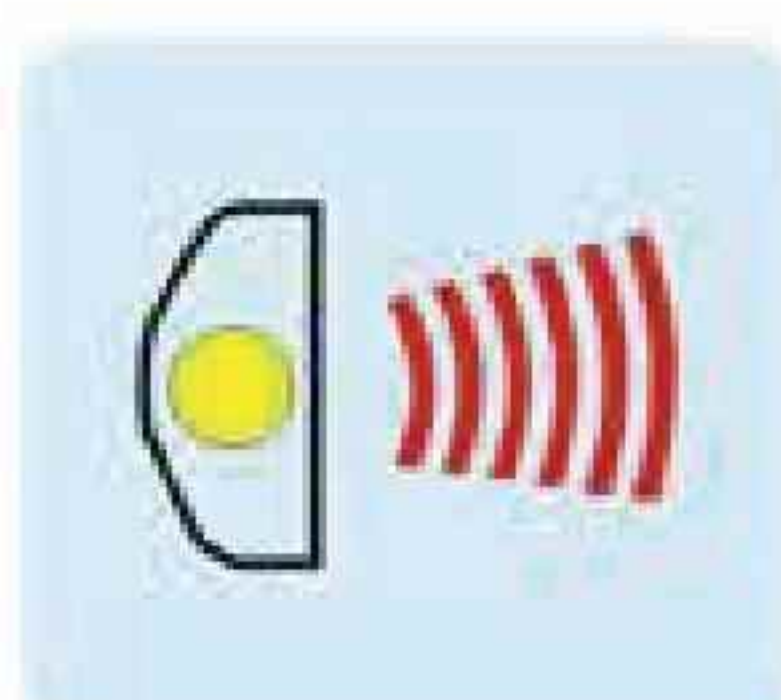
B2S  
Control panel

**B2**

**B2S**



Europe and USA standard components



With pre-heating



Stainless post



3"caster with brake



180°



360°

# Paint Curing Equipment

B2

B2S

B2W

Features as same as page 9, Special suit for long strip painting baking, and flexible for wide area baking.



<b>B2</b>		Basic function: pre-heat and full baking
<b>B2S</b>		Basic function, and equipped with ultrasonic distance sensor
<b>B2W</b>		Basic function: pre-heat and full baking

## Technical Data

Model	B2	B2S	B2W
Input voltage(50/60Hz)	230V or 120V 1Ph	230V or 120V 1Ph	230V or 120V 1Ph
Emitter power(W)	2x1050	2x1050	2x1050
Max power(kVA)	2.15	2.15	2.15
Timing range(min)	35	35	35
Baking area(m <sup>2</sup> )	0.6x 0.8	0.6x 0.8	1.6x0.4 or 0.8x1
Temperature(°C)	60-70	60-70	60-70
Net weight(kg)	17	17	17
Input voltage can be custom made, e.g. 400V 1ph, 400V 3ph			

# Paint Curing Equipment

B1

B1S

- Powerful penetration directly into the inner paint layer; completely drying double component paint within 15 minutes and polyester putty within 5 minutes.
- Ultrasonic distance sensor for easy adjustments of distance to reach perfect drying results (B1S).
- Key electronic components made in USA/Japan or with CE/UL certification.
- Pre-heat and full baking function to achieve gradual temperature increase.
- Short wave infrared emitter modules: high light emitting efficiency.
- Switch: CE/UL certified, high quality and stable performance.
- Long life emitter: life span up to 6000 hours.
- Even radiation.



## Technical Data

Model	B1	B1S
Input voltage(50/60Hz)	230V or 120V 1Ph	230V or 120V 1Ph
Emitter power(W)	1x1050	1x1050
Max power(kVA)	1.1	1.1
Timing range(min)	35	35
Baking area(m <sup>2</sup> )	0.4x 0.8	0.4x 0.8
Temperature(°C)	60-70	60-70
Net weight(kg)	14	14
Input voltage can be custom made		



## IR Series Infra-Red Dryer

### Reflectors

Using gold-coated short-wave tubes and gold-coated reflectors, reflectors IR Dryer has 97% higher reflectivity. The cassette unit uses three specially designed reflectors to provide a more even heat distribution and a larger curing area than conventional reflectors while consuming less power.

### Cassette / Lamp Tubes

There are two things that shorten the service life of a tube lamp: overheating and dust. A tube lamp should be operational for 10,000 hours. Because of this, the cassettes are equipped with a powerful fan to cool the tube, thus extending their life significantly. An additional particle filter has been installed on the rear of the cassette.

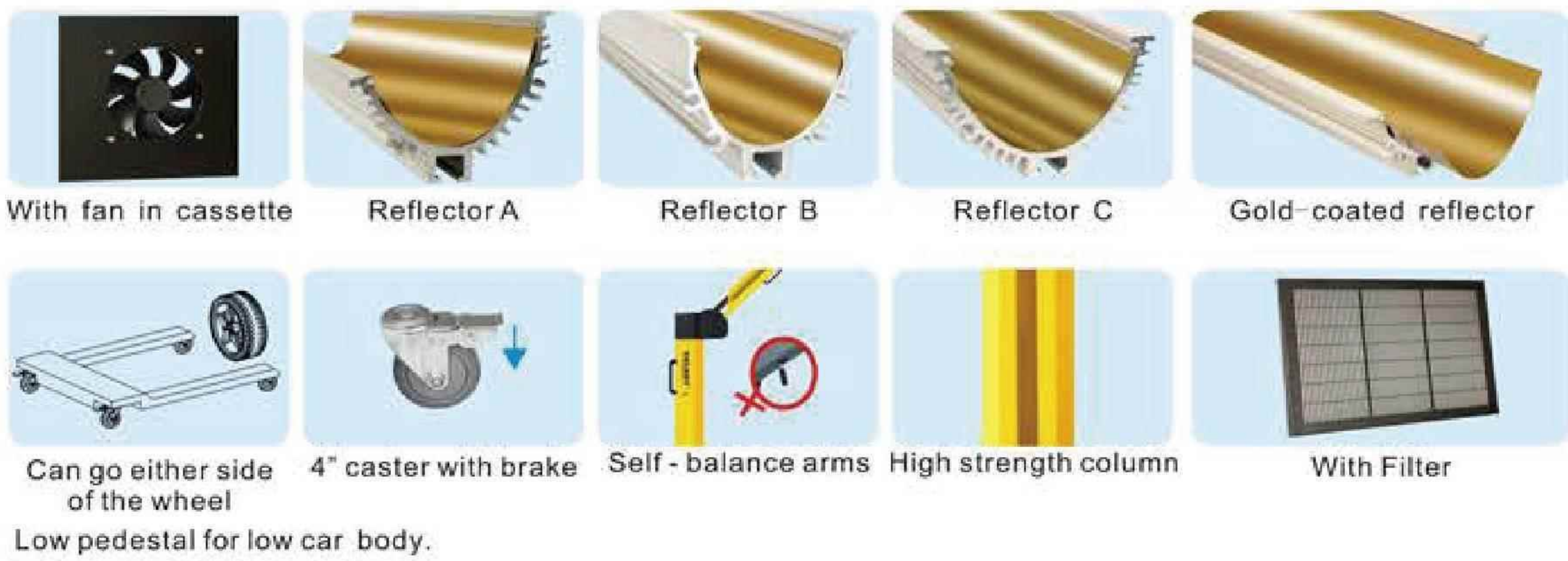
### Stand

Thanks to an advanced base design and the angle of the arm, curing is possible in places that were previously inaccessible. The dryers reach higher than most other mobile units. Up to 2,100mm with the cassette in a horizontal position and around 2,300mm in a vertical position. The base design allows it to get under low cars and is possible to place it around the car wheel.

The mobile unit's large and well-balanced wheels easily cope with floor gratings, air hoses and other obstacles on the workshop floor.

### Other Features

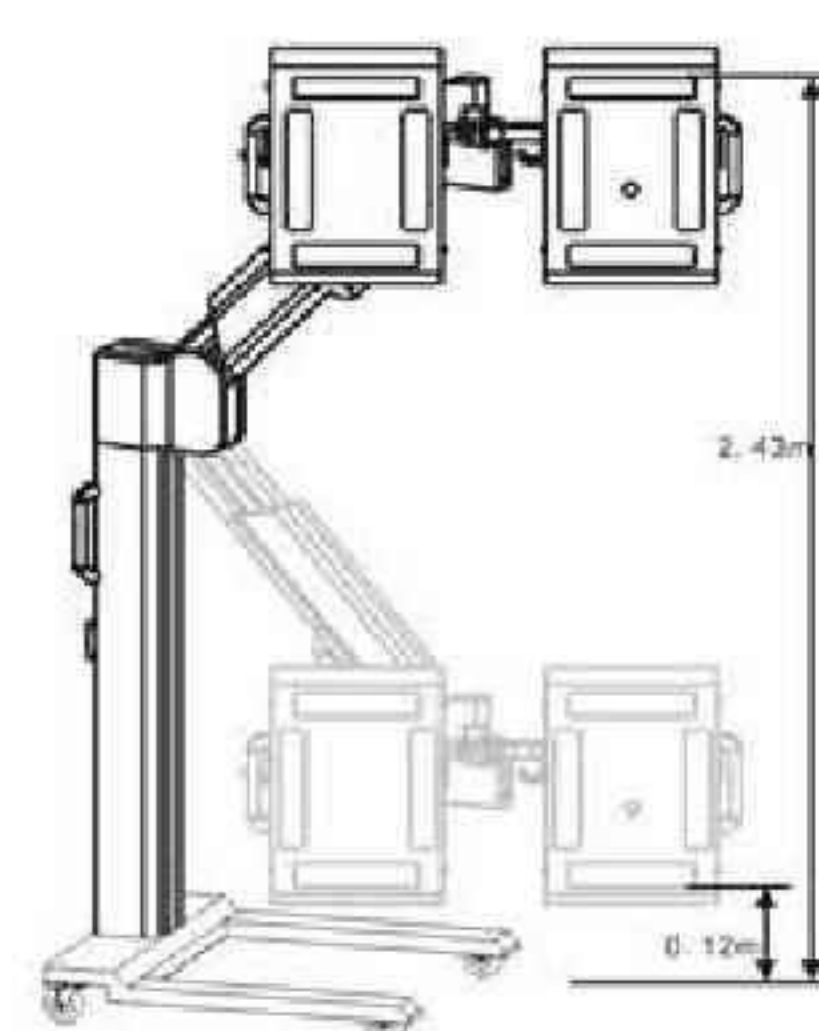
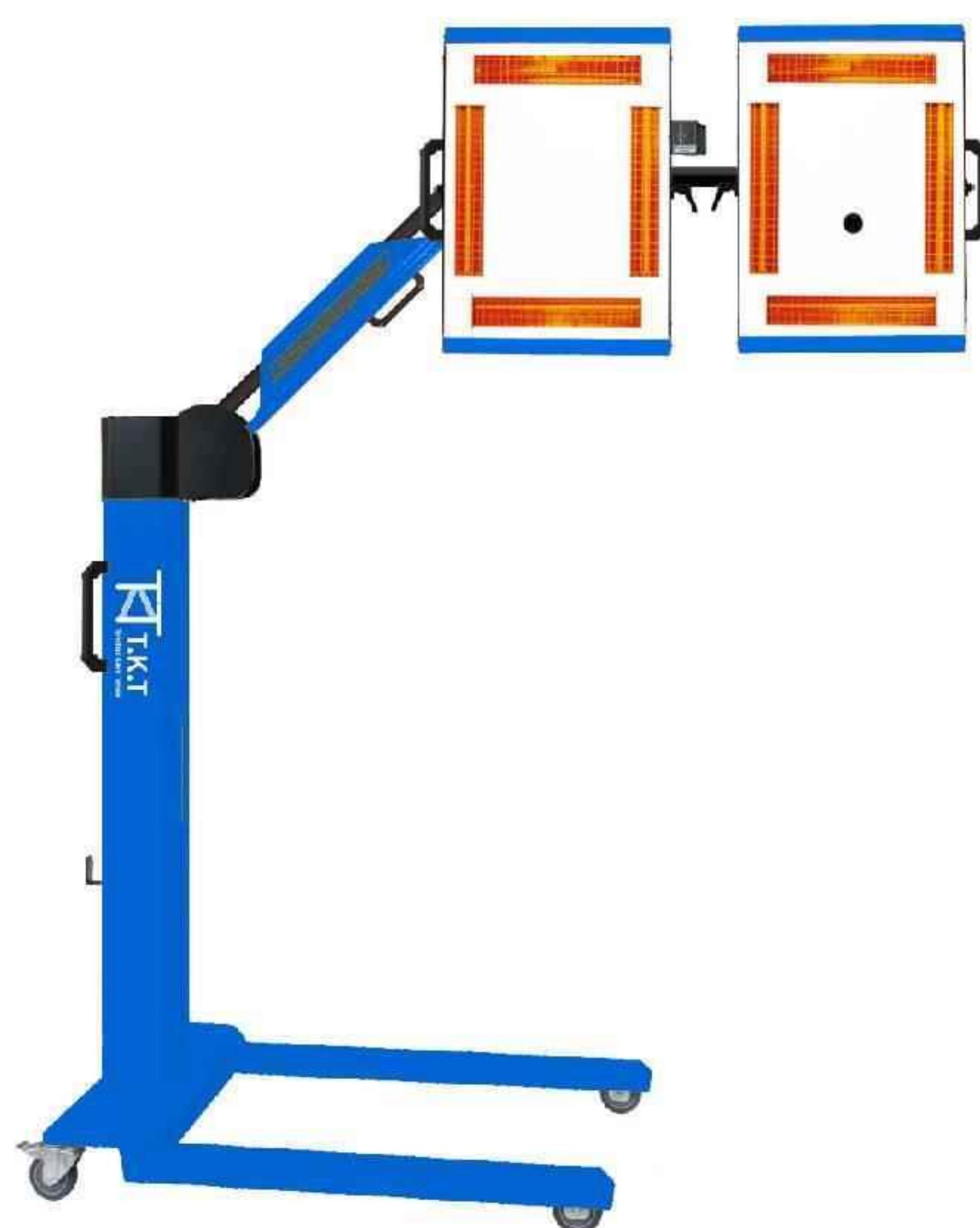
- High quality CE/UL certified switch.
- Digital display showing cure and remaining time.
- Up to four programs can be stored in the memory.
- Ideal for single and two components paint, including waterborne.
- Key electronic components made in USA/Japan or with CE/UL certification.
- Pre-heat and full baking functions to achieve gradual temperature increase.
- Penetrates directly into the inner paint layer; completely drying two pack paints within 15 minutes and putty within five minutes.
- Cassette lamp assembly can be rotated and swivels to achieve best drying position.
- Convenient height adjustment with two gas struts.
- Ultrasonic distance sensor equipped with thermal compensation, from -40°C to +85°C with excellent precision. Temperature sensor has a red laser for correct aim.
- **IR3S IR4S IR6S IR8S**: With an ultrasonic distance sensor.
- **IR3ST IR4ST IR6ST IR8ST**: With an ultrasonic distance sensor and temperature control.



IR 8

IR 8S

IR 8ST



<b>IR 8</b>		M	Basic functions: pre-heat and full baking
<b>IR8S</b>		M	Basic functions plus equipped with ultrasonic distance sensor
<b>IR8ST</b>		M	Basic functions plus equipped with ultrasonic distance sensor and temperature controller

### Technical Data

Model	IR 8	IR8S	IR8ST
Input voltage(50/60Hz)	400V 3ph	400V 3ph	400V 3ph
Emitter power(W)	12000	12000	12000
Max power(kVA)	12.05	12.05	12.05
Timing range(min)	2X35	2X35	2X35
Temperature(°C)	60-70	60-70	60-70
Net weight (kg)	66.5	67	67

Input voltage can be custom made, e.g. 400V 1ph, 220V 3ph...

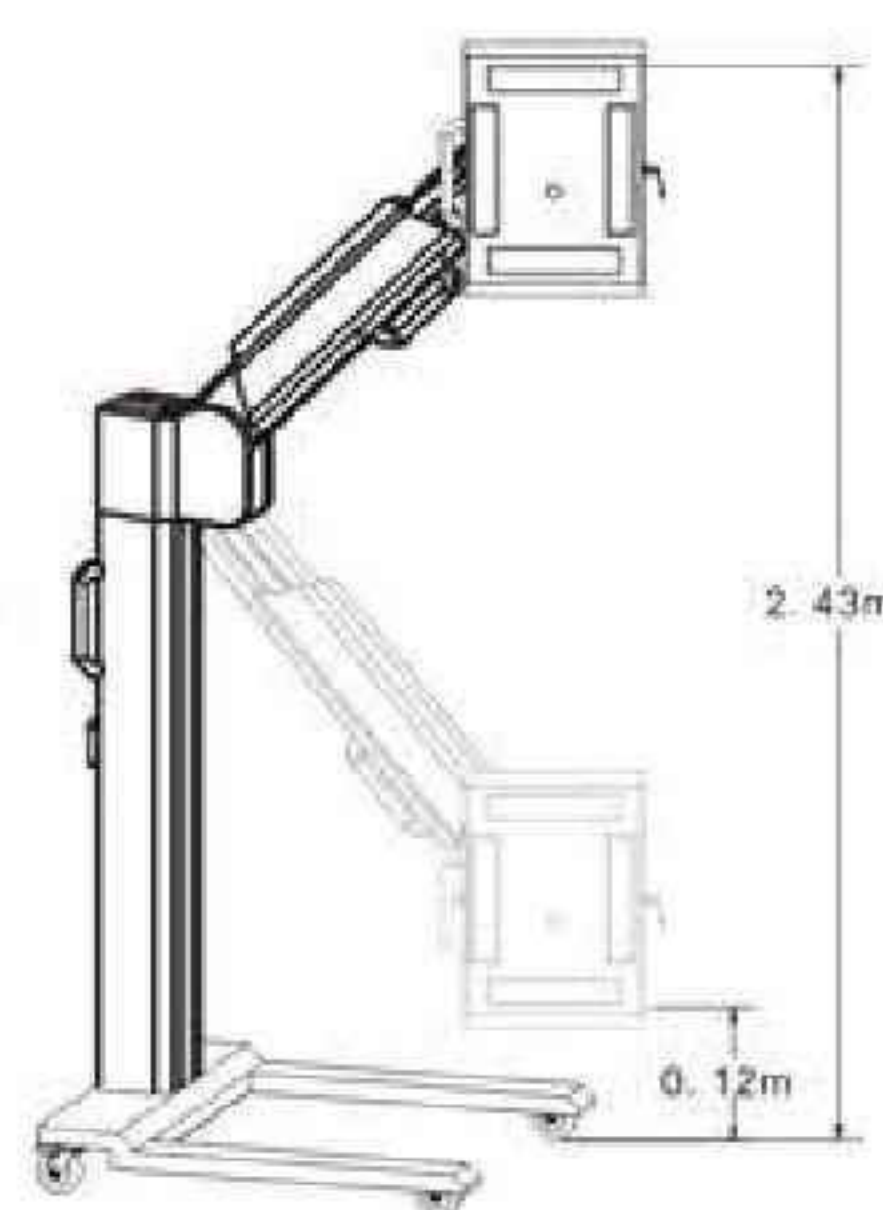
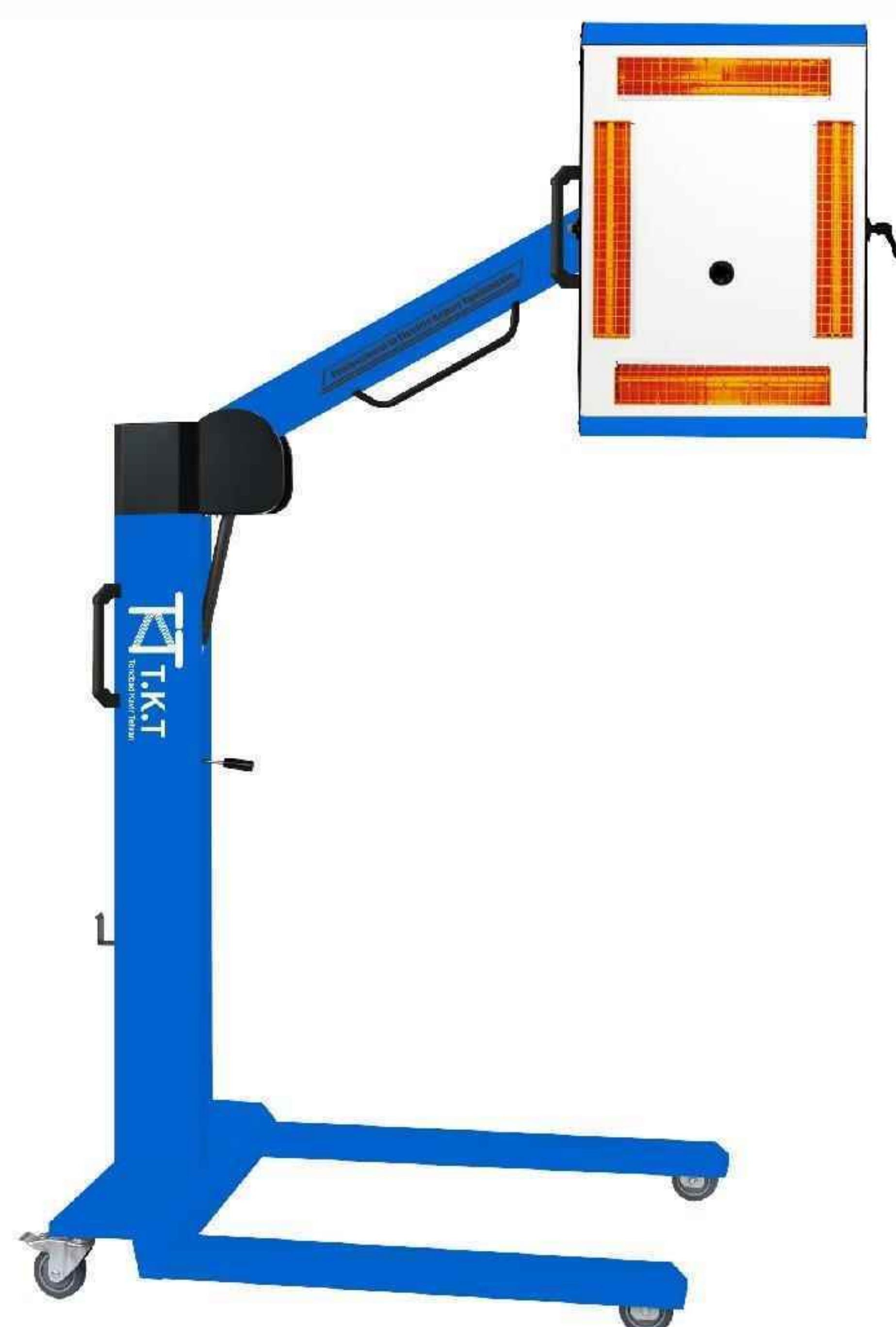


# IR Series Paint Curing Equipment

IR 4

IR 4S

IR 4ST

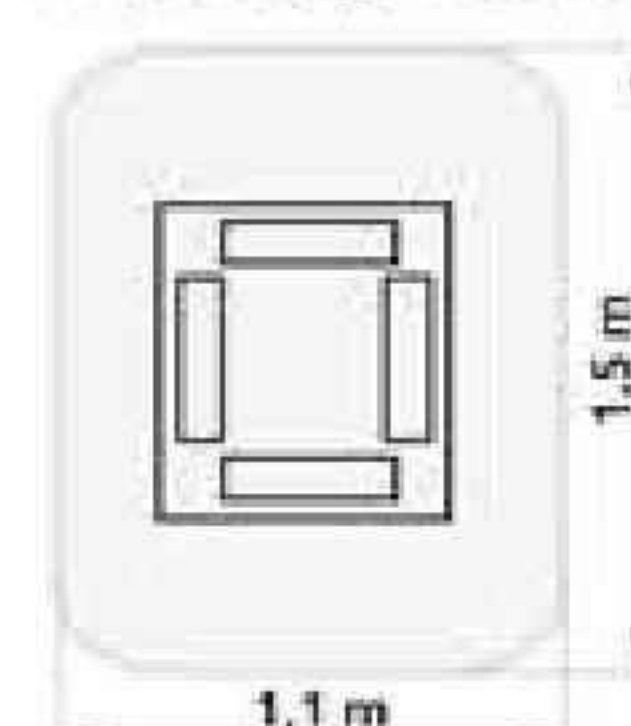


<b>IR 4</b>					M	Basic functions: pre-heat and full baking
<b>IR4S</b>						Basic functions plus equipped with ultrasonic distance sensor
<b>IR4ST</b>						Basic functions plus equipped with ultrasonic distance sensor and temperature controller

## Technical Data

Model	IR 4	IR4S	IR4ST
Input voltage(50/60Hz)	400V 1ph	400V 1ph	400V 1ph
Emitter power(W)	6000	6000	6000
Max power(kVA)	6.05	6.05	6.05
Baking area(m <sup>2</sup> )	2x35	2x35	2x35
Temperature(°C)	60-70	60-70	60-70
Net weight (kg)	39	39	39

Baking area



Input voltage can be custom made, e.g. 400V 1ph, 400V 3ph...

# IR Series Paint Curing Equipment

IR 3E

IR 3ES

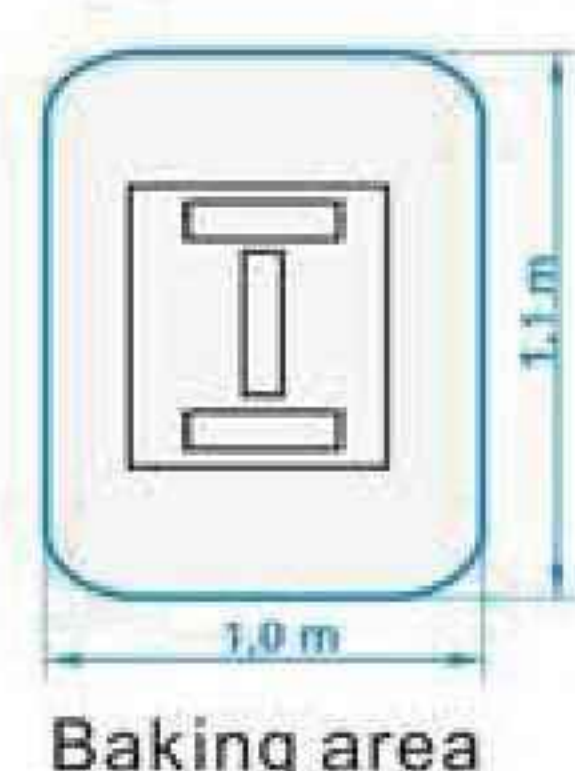


- Powerful penetration directly into the inner layer of paint; completely drying two pack paints within 15 minutes and polyester putty within 5 minutes.
- Key electronic components made in the USA and Japan and with CE/UL certification.
- Short wave infrared emitter modules with high light emitting efficiency.
- Switch: CE/UL certified, high quality and stable performance.
- Pre-heat function to achieve gradual temperature increase.
- Fan cooling in tube cassette.

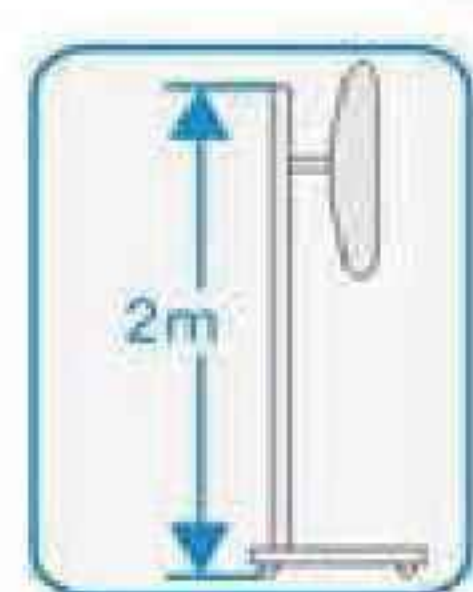


Special design for position settings

<b>IR3E</b>				Function: pre-heat and full baking	
<b>IR3ES</b>					Basic functions plus equipped with ultrasonic distance sensor



Baking area



Tubes can be controlled separately

## Technical Data

Model	IR3E	IR3ES
Voltage	230V (1PH/PE)	230V (1PH/PE)
Frequency	50/60Hz	50/60Hz
Current	13A	13A
Output power	3KW	3KW
Timing range(min)	2X35	2X35
Fuse	16A	16A

# IR Series Paint Curing Equipment

## IR 1 / IR 2

- Powerful penetration directly into the inner layer of paint. Completely dries two-pack paints within 15 minutes and polyester putty in 5 minutes.
- Portable design; convenient for curing feather edges, small spots or drying in hard to reach areas. Switch beside the handle for convenient starting and shutting down.
- Can be used to soften trim mouldings when replacing windscreens or removing strips. Heat up aluminum to repair aluminum-body vehicles, pull a dent, or remove ornaments and adhesives.
- Short wave infrared emitter modules with high light emitting efficiency.
- Safe handle to avoid high temperature.
- Long life emitter: life span up to 6000 hours.
- Even heat radiation.

### Good effective reflectors

It uses gold-coated short-wave tubes and gold-coated reflectors with 97% high reflectivity and strong antioxidation. The IR dryers have an unsurpassed drying capacity.

The cassette unit uses specially designed reflectors to provide a more even heat distribution.

These features reduce power consumption.



IR 1

IR 2

Model	IR 1	IR 2
Input voltage(50/60Hz)	230V or 120V	230V or 120V
	1ph	1ph
Emitter power(W)	1x1000	2x1000
Temperature(°C)	60-70	60-70
Net weight (kg)	1.3	2.1

Input voltage can be customized.



Professional Reflector



IR1 Back



IR2 Tubes Separable control



IR1 Baking area



IR2 Baking area



Drying in hard reach area or small area



Removing strip



Replacing windscreen



Soften trim moulding

# IR Series Paint Curing Equipment

## S3 / S4

Baking features as IR1 (IR2) illustration ,S3 (stand) is a very good partner for IR1 (IR2) light.

...

IR1( IR2 )light can be adjusted high and low,and turn to any directions after holding in the stand.

- Hold and tight IR1 ( IR2) light easily, and fix any angle you need.
- The timer with pre-heat and full baking function.
- It can supply power for IR1( IR2) light.



IR1+S3 (IR2+S4)



S2 Control panel

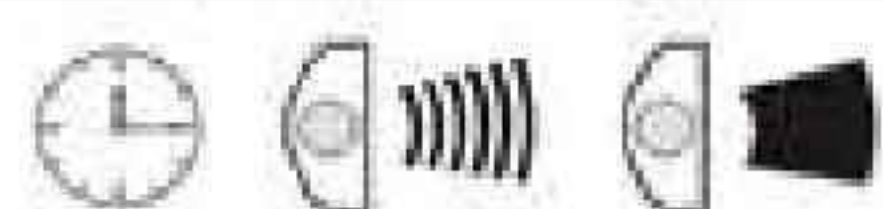


IR1+S2 Separable



IR1+S2 (Front view for use)

### S3

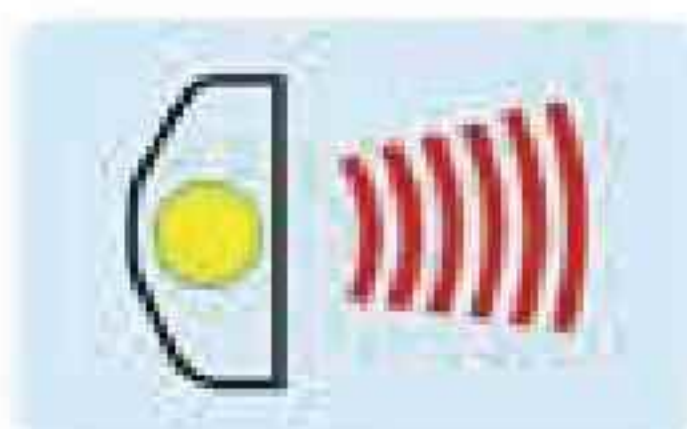


Basic functions:pre-heat and full baking

### S4



Basic functions:pre-heat and full baking



With pre-heating



Europe and USA standard components



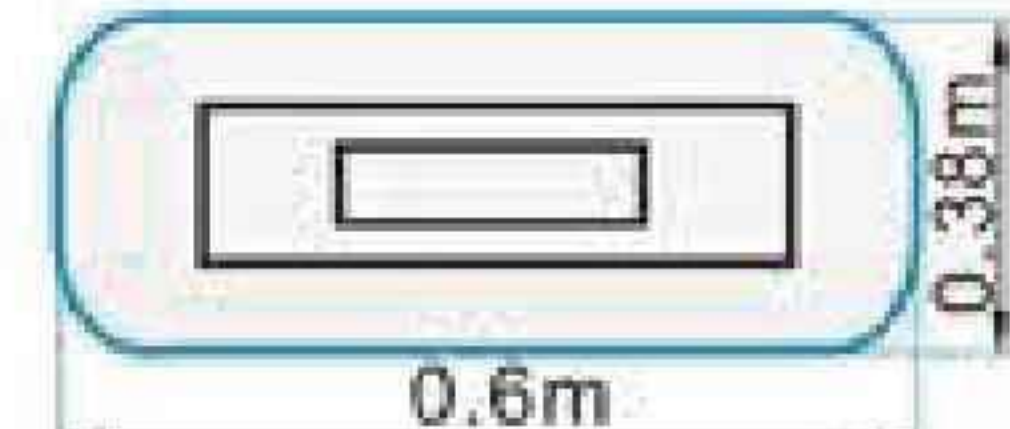
3" caster with brake



Stainless post



1.95m



Baking area

# Ultra Violet Paint Curing Equipment

## UV 1-800

The UV paint curing lamp works through special light band to make UV paint coating rapid polymerization, cross-linking reaction, so that it can quickly make paint cure in about dozens seconds. And it can form one kinds of high density paint film, which the performance is far superior to the traditional PU paint coating. The lamp special suits car body shops.

1. Emitter head position can be adjusted.
2. With a count down timer which can shut off automatically.
3. Emitter head can be hand-held or fixed, it can rotate 270 degree directions.
4. With default time setting and customized time setting, 4 customized adjustable memory keys, convenient for user adjust it when it's needed.
5. Using the long life UV tube from UK, and Phillips electronic parts.
6. With the double-rolls caster design, it's convenient for moving easily in the spay booth.
7. A various of security protection design.

- ① Considering the safety on the user and personal nearby, we use the double switch with a "stand by" key to prevent hurting people by incorrect operation when it is energized.
- ② Both control box and emitter head with fan-cooled, emitter fan with delay power-off design feature, to turn down the ozone concentration nearby the user and ensure the electric parts and the bulb service life to 2000 hours.
- ③ UV1-400 With a filter glass, can filter out of the UV bands UVB, UVC, which damage on human body; and the band of UVA can be remained, which is safety to human body and the best band for car refinish
- ④ The UV1-400 filter glass also can prevent user get hurt by high temperature.
- ⑤ With a cloth cover to protect filter glass from dirt and paint of over spay when the lamp is not in using, also avoid any shadow to ensure even curing of refinish area.
- ⑥ When the lamp is stand by or operating, the audible beep can remind the operator and people nearby for safety warning.
- ⑦ With UV protection eyeglasses



UV 1-800



Model	UV 1
Input voltage (50/60Hz)	230V
Emitter power (W)	800
Max power (W)	850
Timing range (sec)	199
Baking area(m <sup>2</sup> )	0.45X0.6
length of head cable(m)	2
Net weight (kg)	25

# Ultra Violet Paint Curing Equipment

## UV 1-400

Same:

1. Control system and functions
2. Emitter head can be fixed or hand-held.

Different:

Items	UV1:800	UV1:400
Filter glass	without	with
Tube power	800W	400W
Post hight	1.55m	2m



UV 1-400

Model	UV 1
Input voltage (50/60Hz)	230V
Emitter power (W)	400
Max power (W)	430
Timing range (sec)	199
Baking area(m <sup>2</sup> )	0.4x0.6
length of head cable(m)	2
Net weight (kg)	25



Baking area

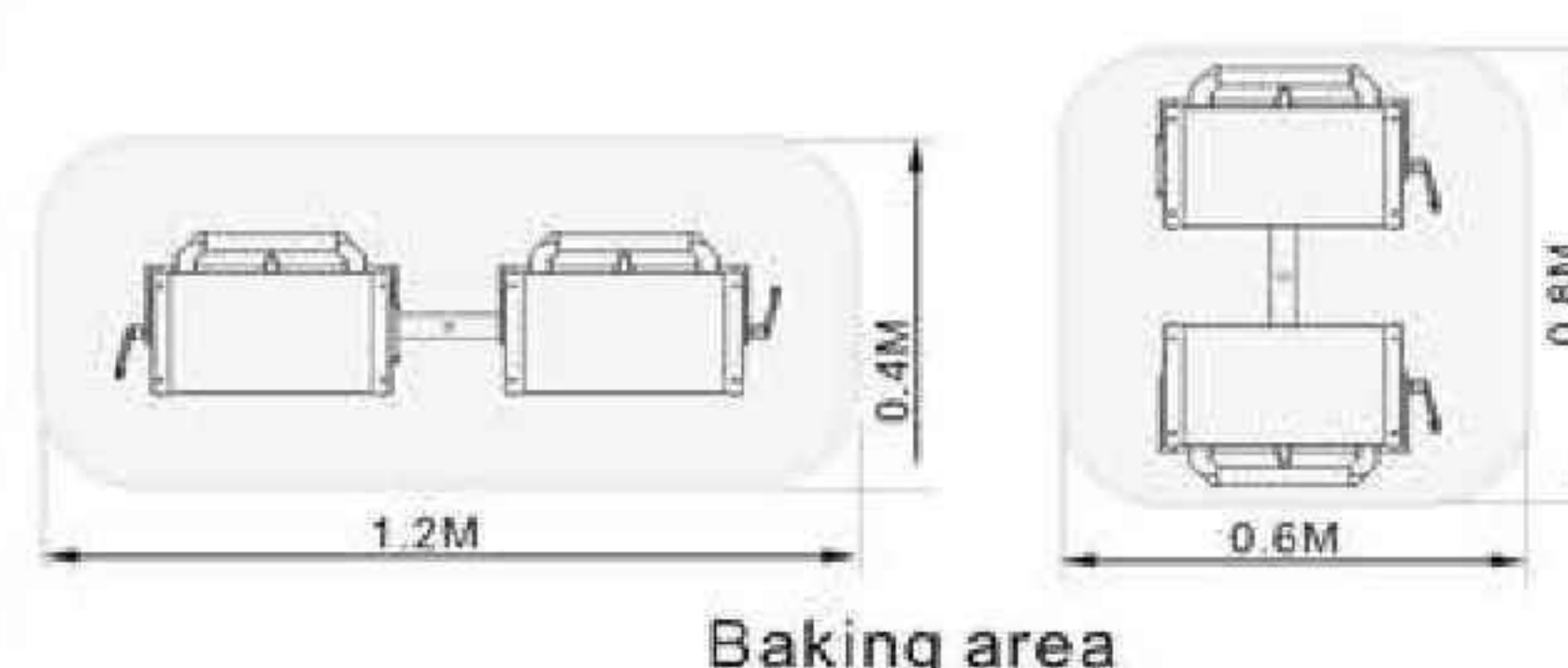
# Ultra Violet Paint Curing Equipment

## UV 2

Special suits long strip paint baking, and flexible for wide area baking, one of emitter head can be hand-held or fixed.



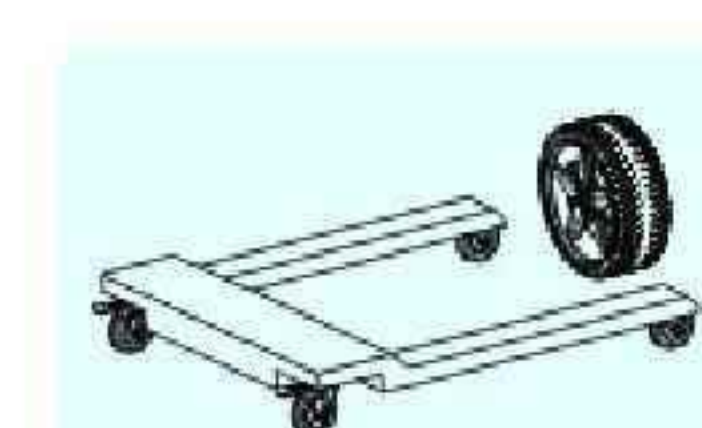
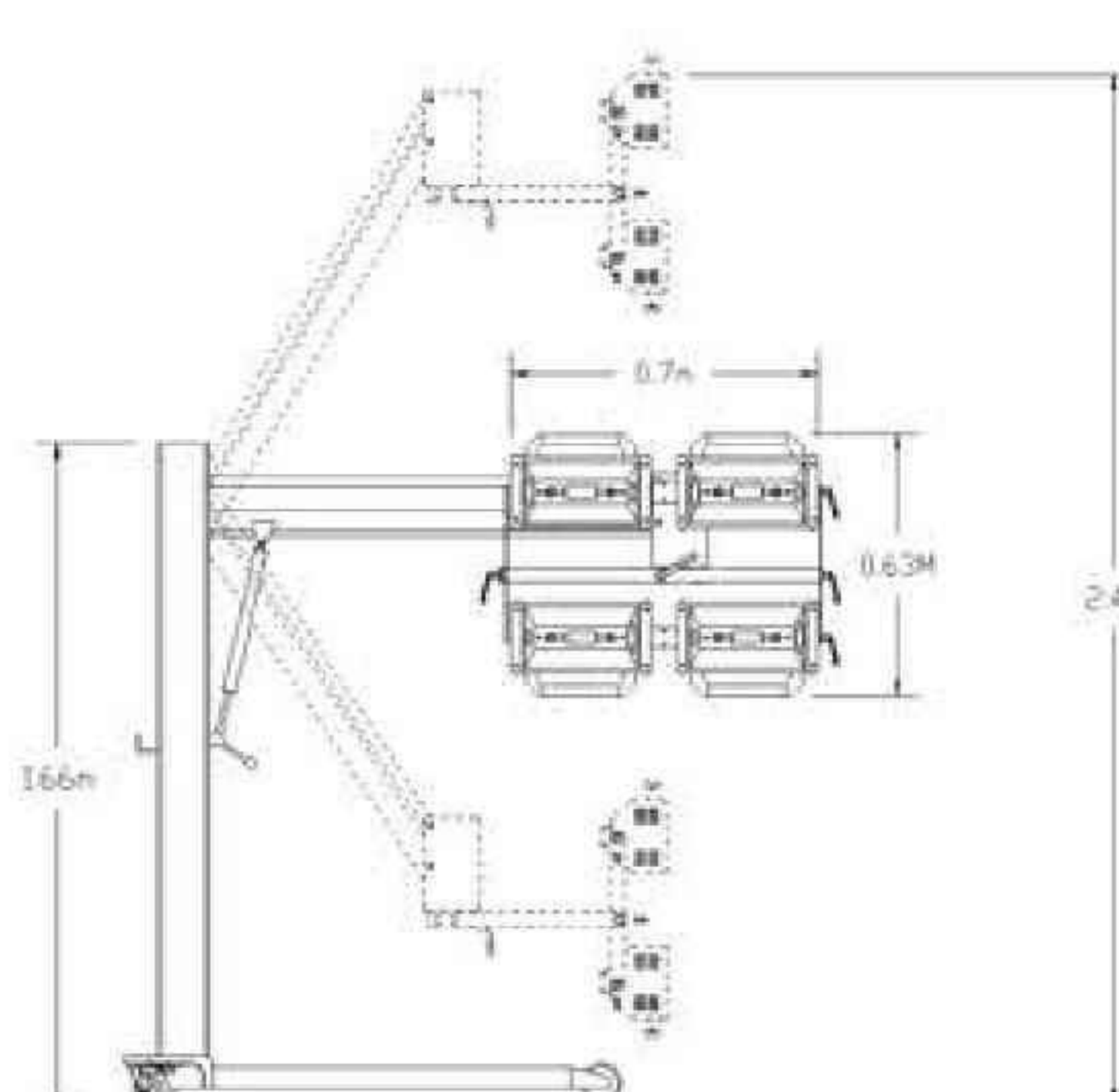
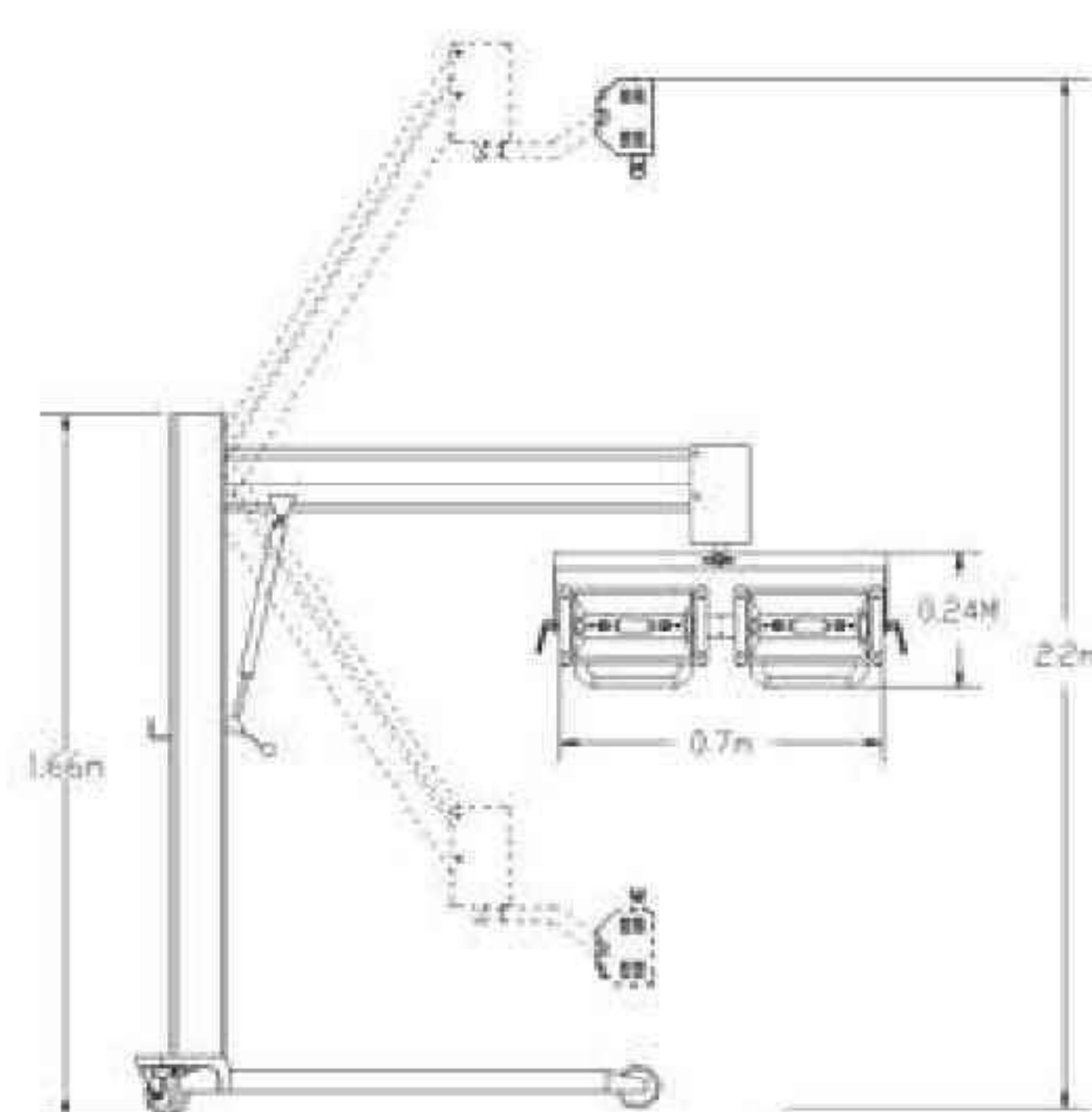
Model	UV 2
Input voltage (50/60Hz)	230V
Emitter power (W)	2x400
Max power (W)	980
Timing range (sec)	199
Baking area(m <sup>2</sup> )	0.8X0.6 or 1.2X0.4
length of head cable(m)	2
Net weight (kg)	35



The UV paint curing lamp works through special light band to make UV paint coating rapid polymerization, cross-linking reaction, so that it can quickly make paint cure in about dozens seconds. And it can form one kinds of high density paint film, which the performance is far superior to the traditional PU paint coating. The lamp special suits car body shops.

1. Modern and attractive design.
2. Advance paint curing technology.
3. With a count down timer which can shut off automatically.
4. Lamp cassette can assemble when it's needed.
5. Switch: CE/UL certified, high quality and stable performance.
6. Using the long life UV tube to rotate and swivel to achieve best drying position.  
Convenient height adjustment with gas struts.
7. With default time setting and customized time setting, 4 customized adjustable memory keys, convenient for user adjust ite from UK, and Phillips electronic parts.
8. Key electronic components made in USA/Japan or with CE/UL certification.
9. Individual adjustable emitter cassettes with long life emitters with up to 2000 hours.
10. New control panel with ergonomic push buttons with life span 10 times that of mechanical knobs.
11. UV4S with ultrasonic distance sensor equipped with thermo-compensation, at -40°C ~ +85°C have super precision;
12. A various of security protection design.

- ① With UV protection eyeglasses.
- ② When the lamp is stand by or operating, the audible beep can remind the operator and people nearby for safety warning.
- ③ Emitter head with fan-cooled ,emitter fan with delay power-off design feature, to turn down the ozone concentration nearby the user and ensure the electric parts and the bulb service life to 2000 hours.
- ④ With a cloth cover to protect filer glass from dirt and paint of over spay when the lamp is not in using ,also avoid any shadow to ensure even curing of refinish area.
- ⑤ With filter glass, can filter out one of the UV bands UVB, UVC, which damage on human body; and the band of UVA can be remained, which is safety to human body and the best band for car refinish, glass also can prevent user get hurt by high temperature.



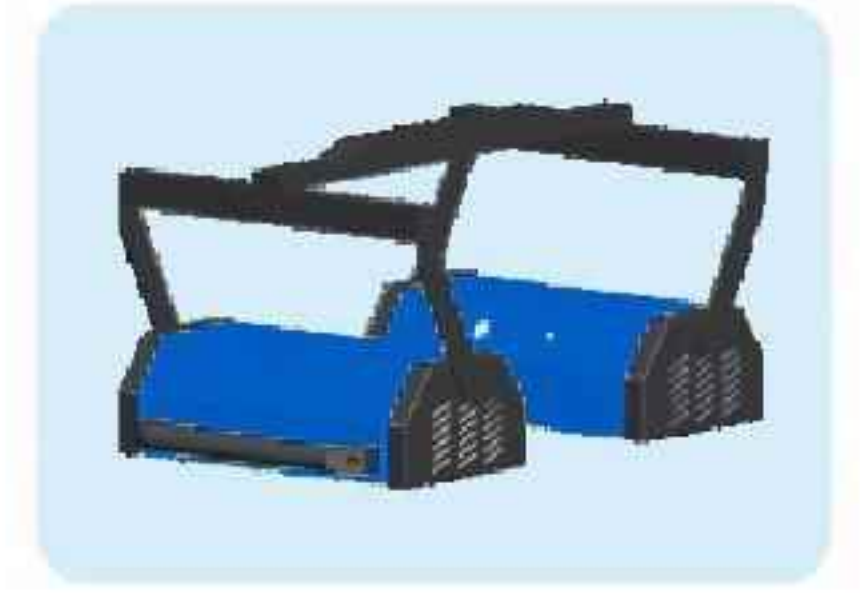


# Ultra Violet Paint Curing Equipment

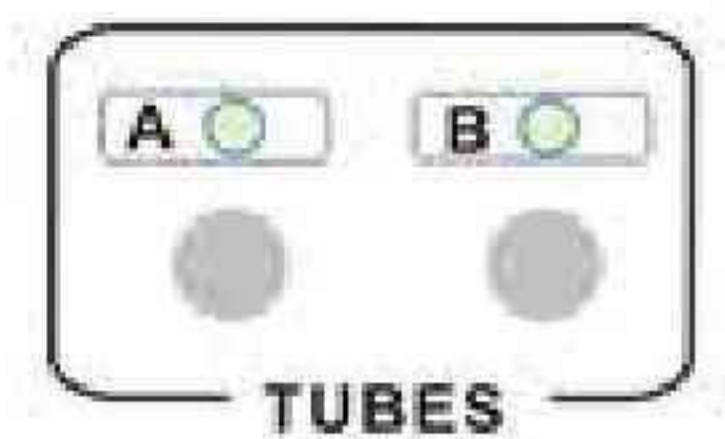
## UV 2H



**UV2H**

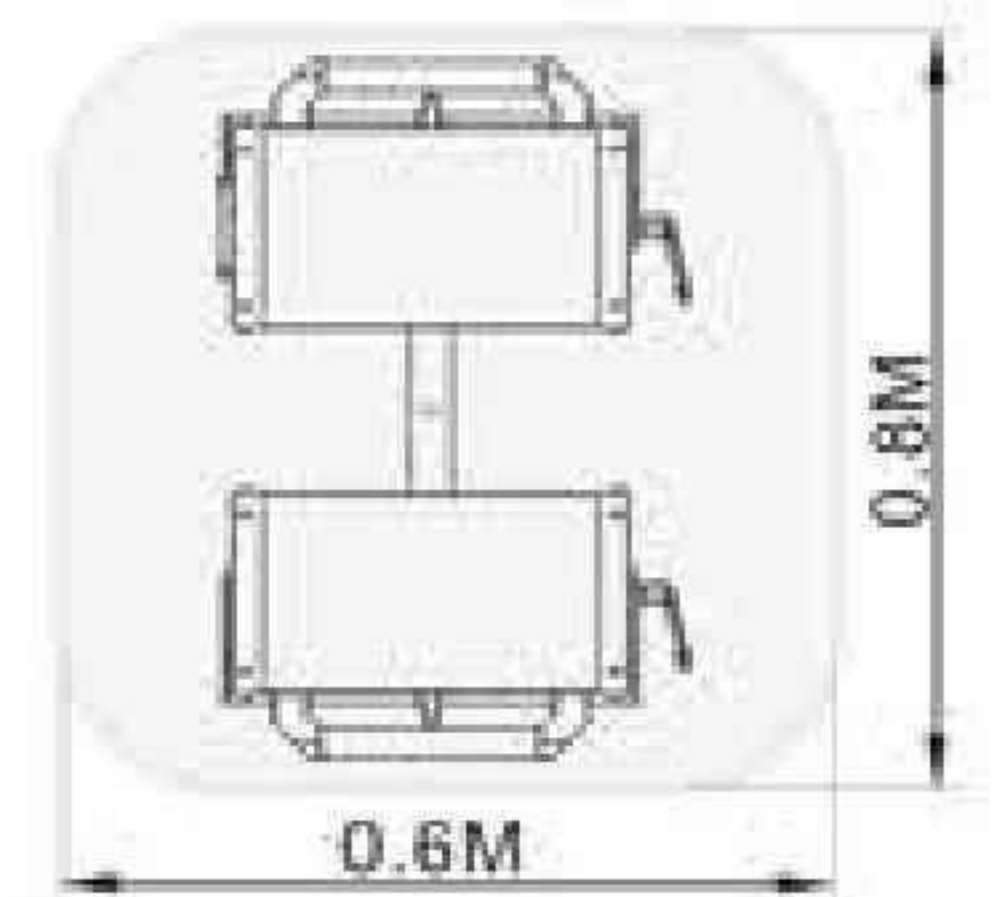
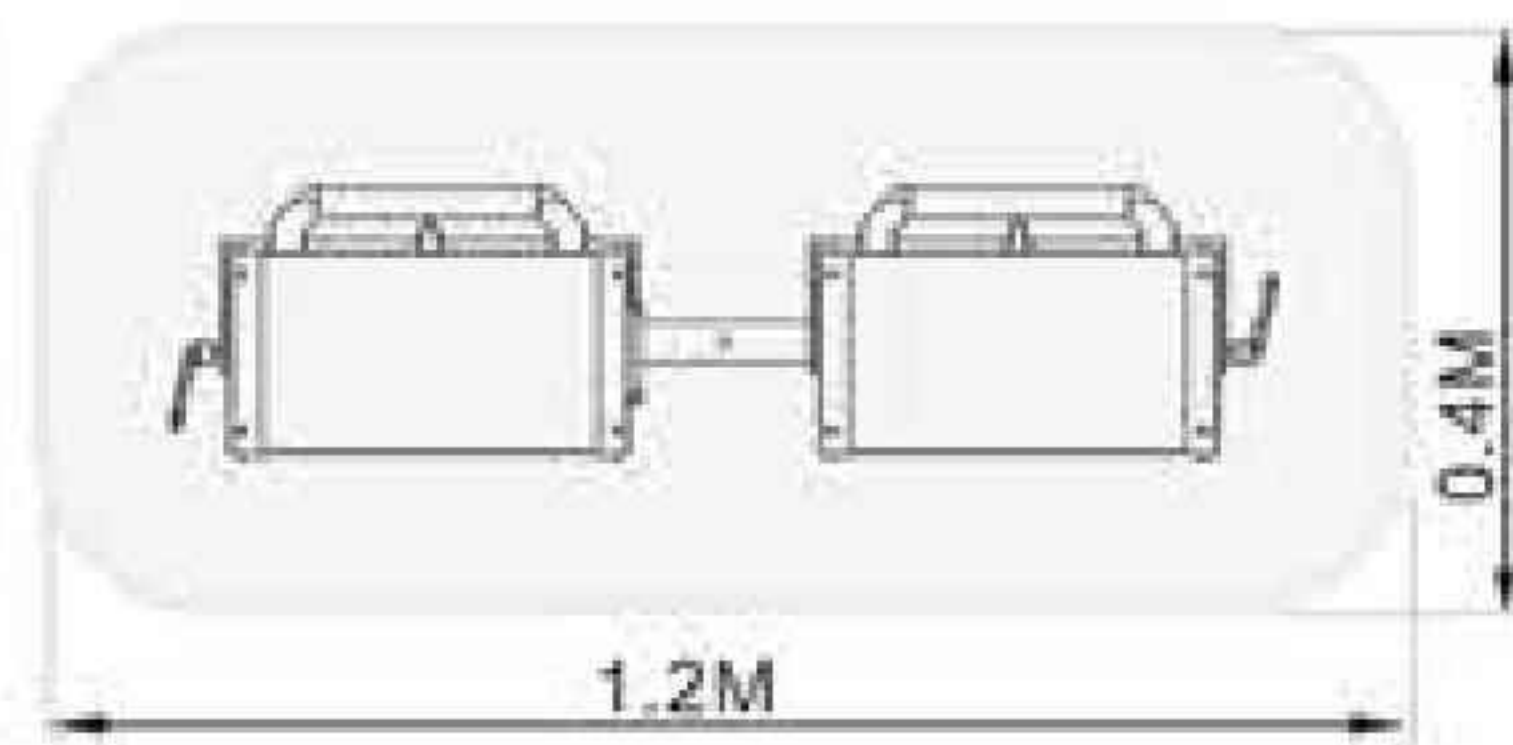


Tubes controlled separately and combination freely.



Standard accessories

<b>Model</b>	<b>UV2H</b>
Input voltage (50/60Hz)	230V
Emitter power (W)	2x400
Max power (W)	860
Timing range (sec)	199
Baking area(m <sup>2</sup> )	0.8X0.6 or 1.2X0.4
Net weight (kg)	35



Baking area

# Ultra Violet Paint Curing Equipment

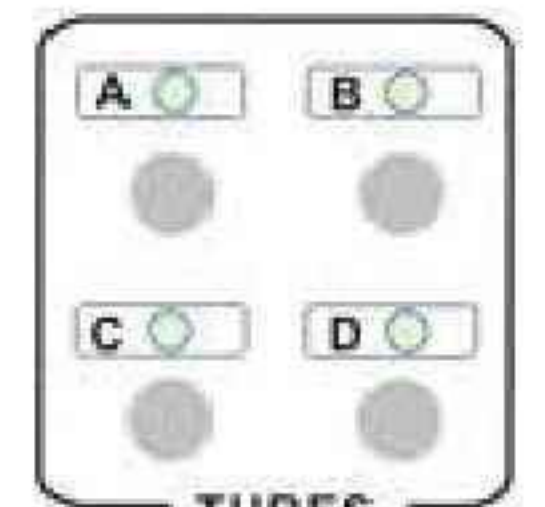
## UV 4



**UV 4**

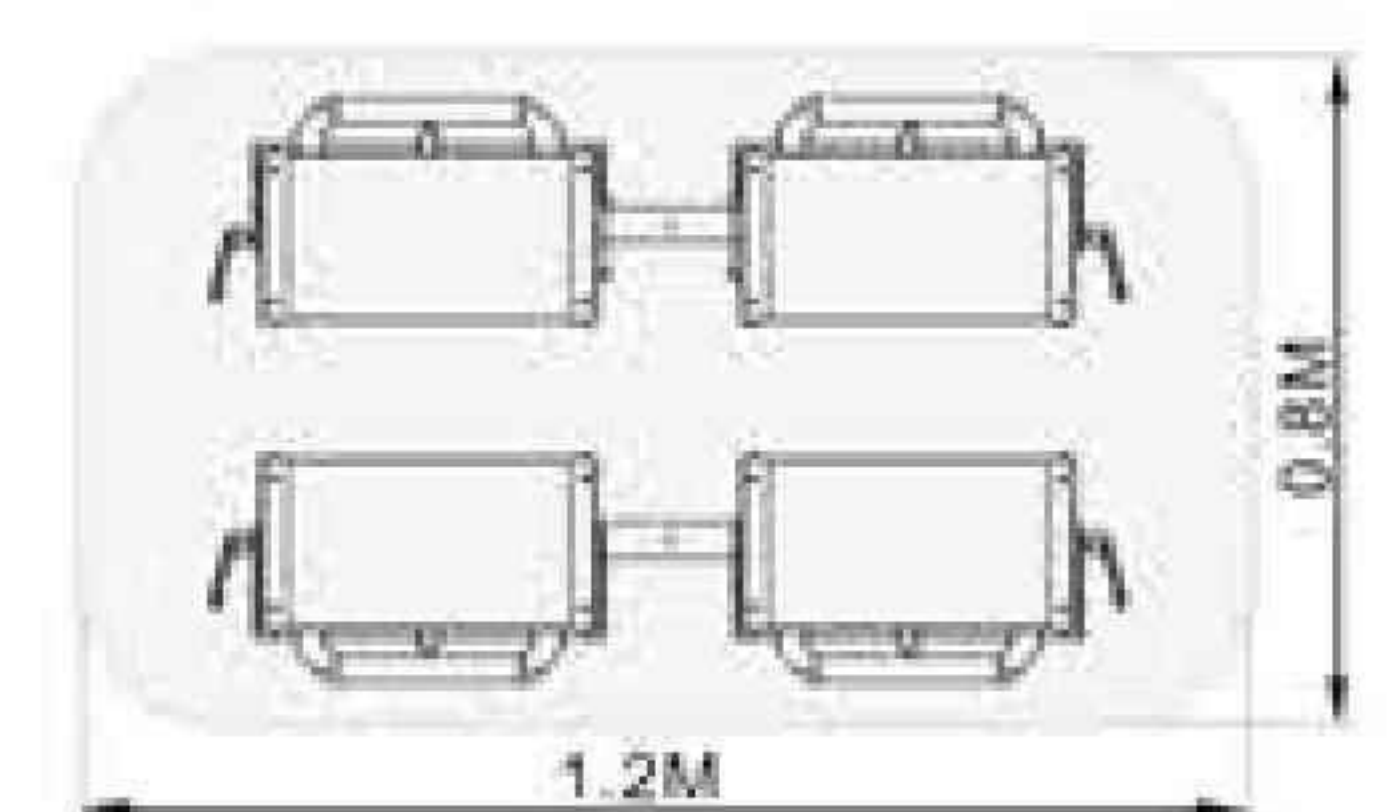


Tubes controlled separately and combination freely.



Standard accessories

<b>Model</b>	<b>UV 4</b>
Input voltage (50/60Hz)	230V
Emitter power (W)	4x400
Max power (W)	1650
Timing range (sec)	199
Baking area(m <sup>2</sup> )	0.8X1.2
Distance sensor	with
Net weight (kg)	38



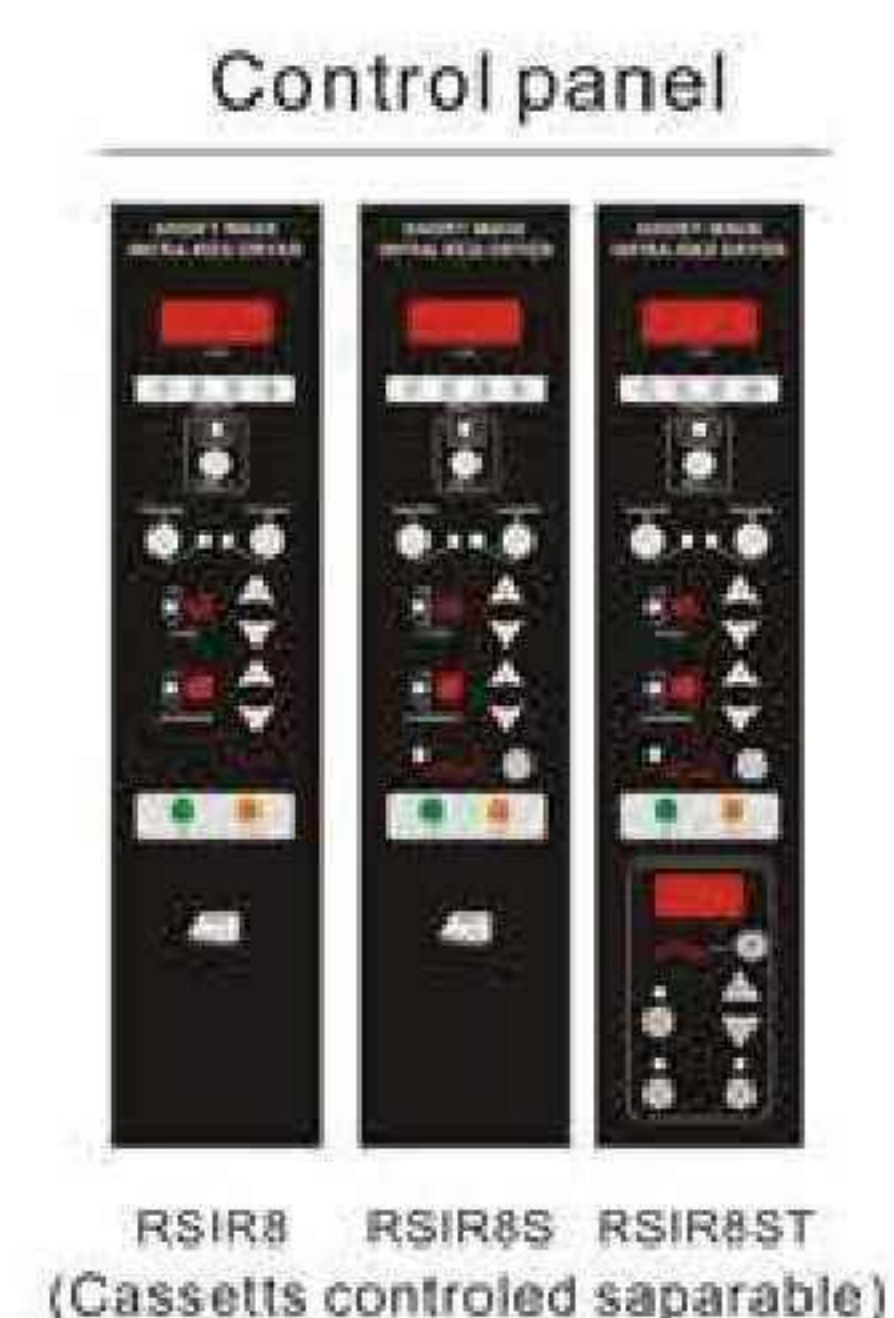
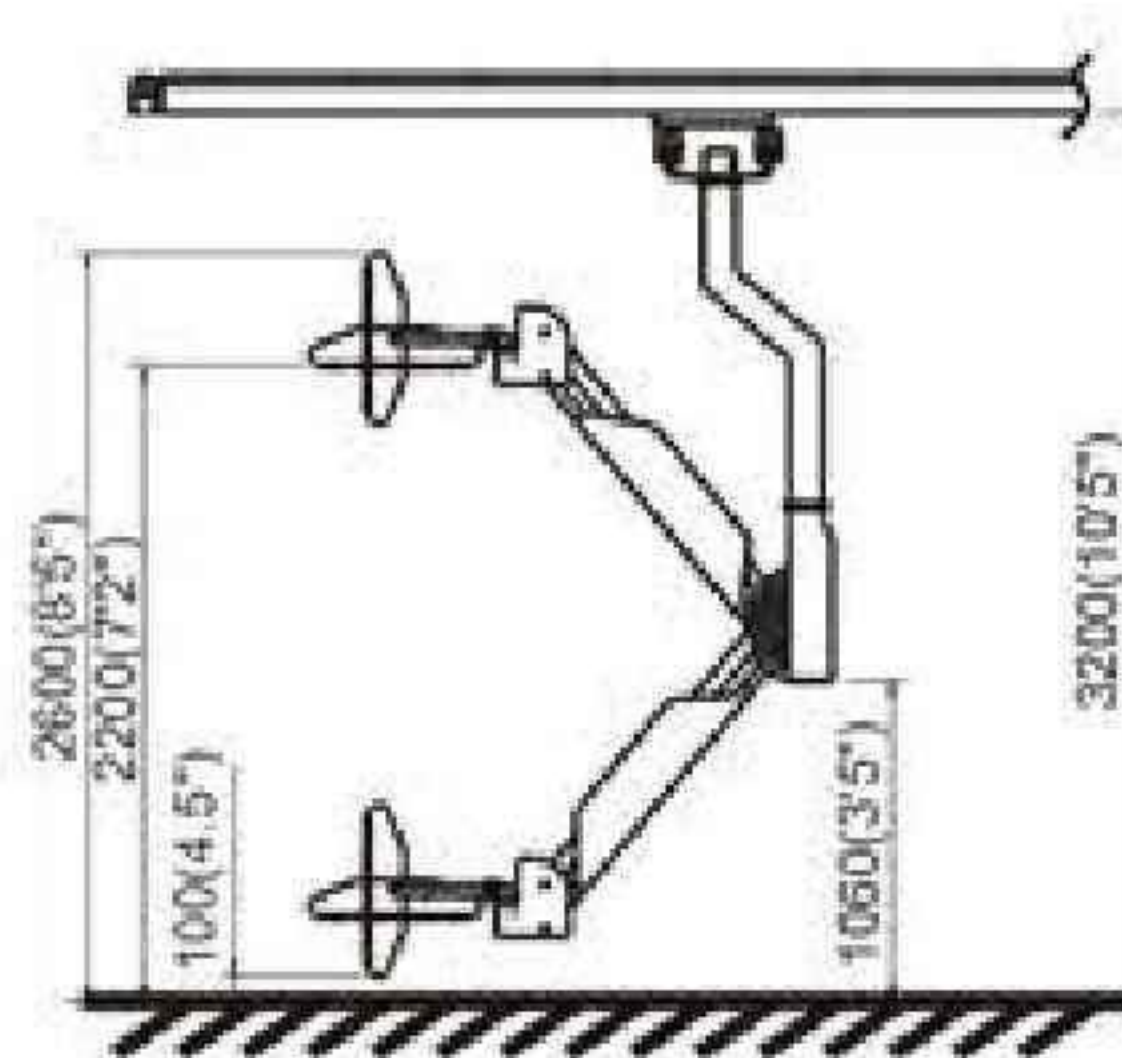
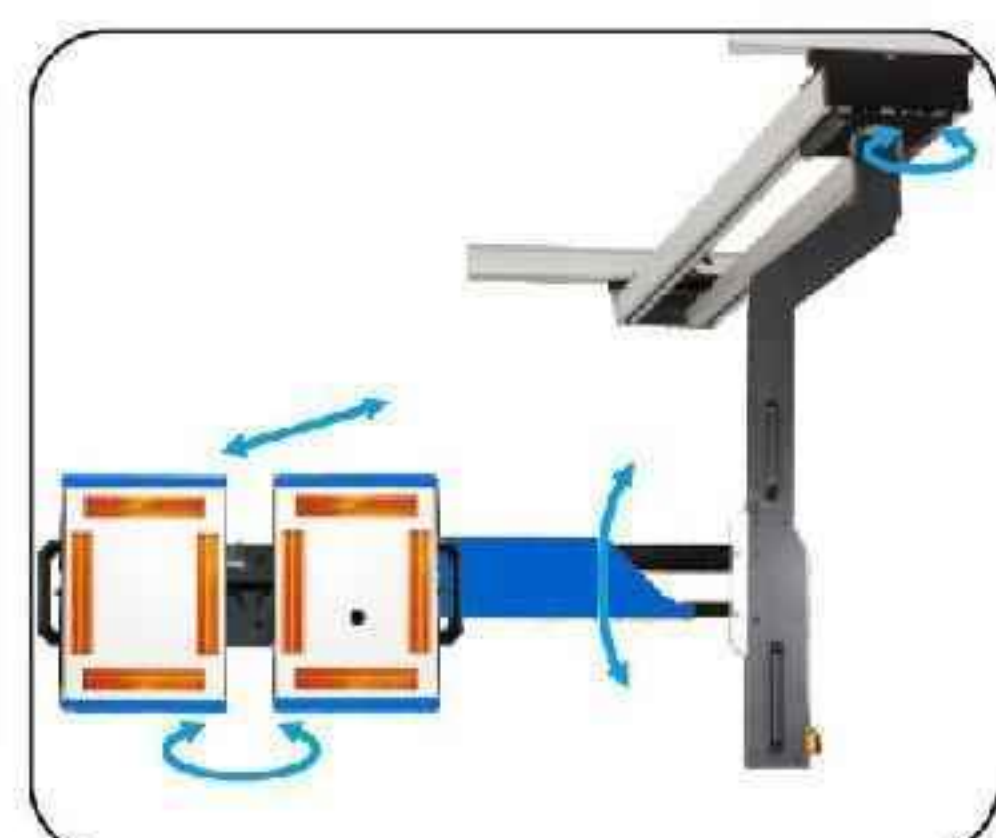
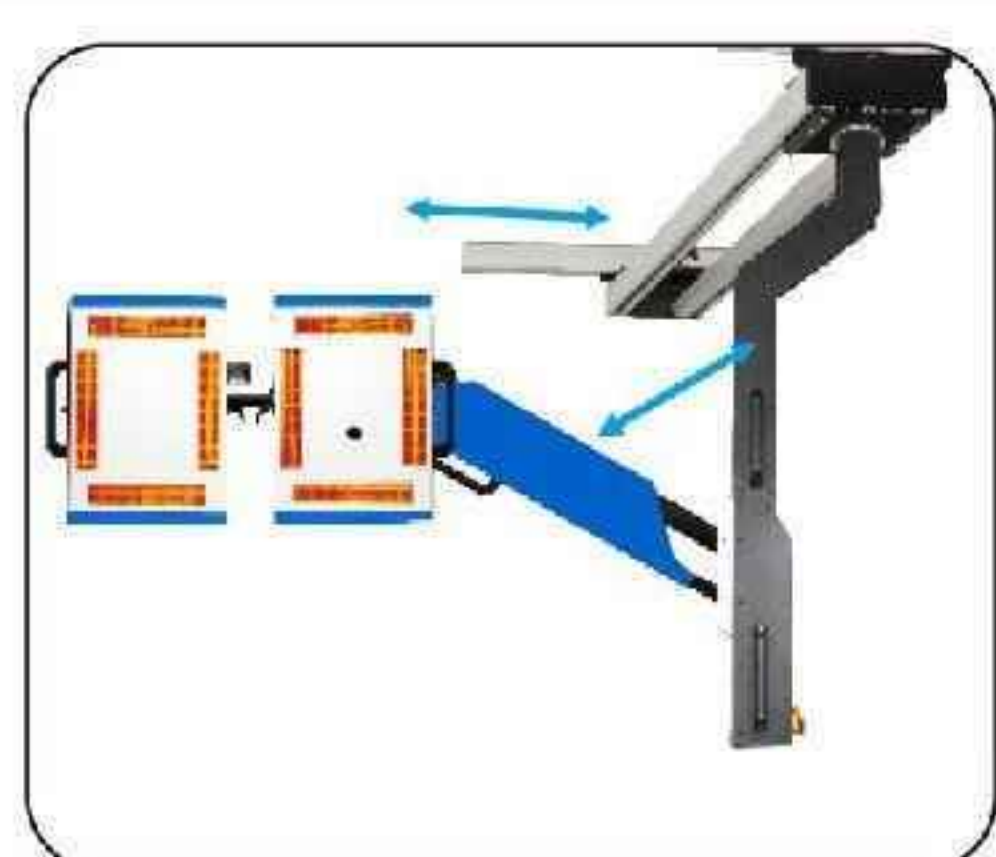
Baking area

# Rail Series Infra-Red Dryer System

RSIR 8

RSIR 8S

RSIR 8ST



<b>RSIR8</b>		M	Basic functions: pre-heat and full baking
<b>RSIR8S</b>		M	Basic functions plus ultrasonic distance sensor
<b>RSIR8ST</b>		M	Basic functions plus ultrasonic distance sensor and temperature controller

## Technical Data

Model	RSIR8	RSIR8S	RSIR8ST
Input voltage(50/60Hz)	400V 3ph	400V 3ph	400V 3ph
Emitter power(W)	12000	12000	12000
Max power(kVA)	12.05	12.05	12.05
Timing range(min)	2X35	2X35	2X35
Temperature(°C)	60-70	60-70	60-70
Input voltage can be custom made, e.g. 400V 1ph, 220V 3ph...			

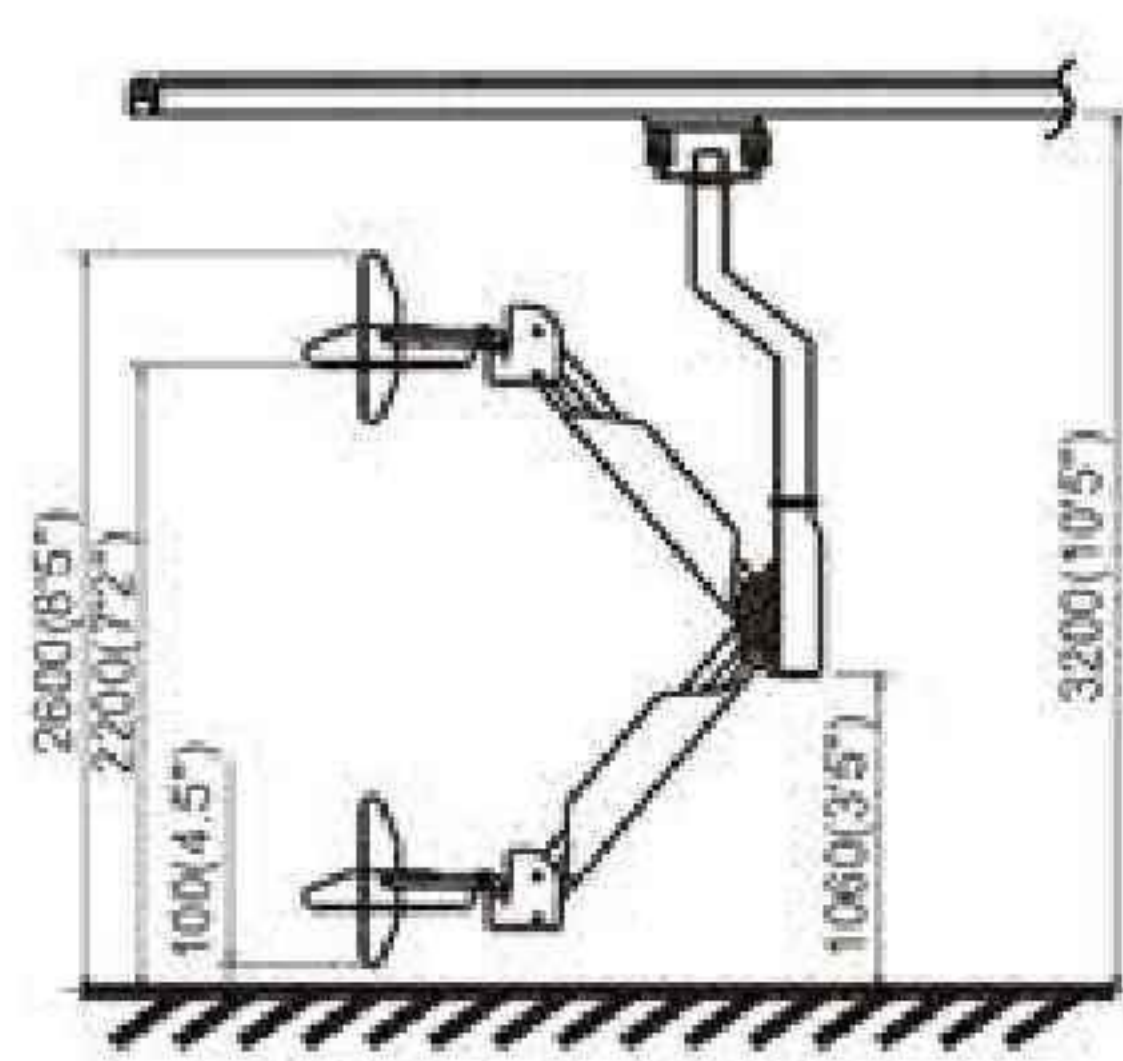
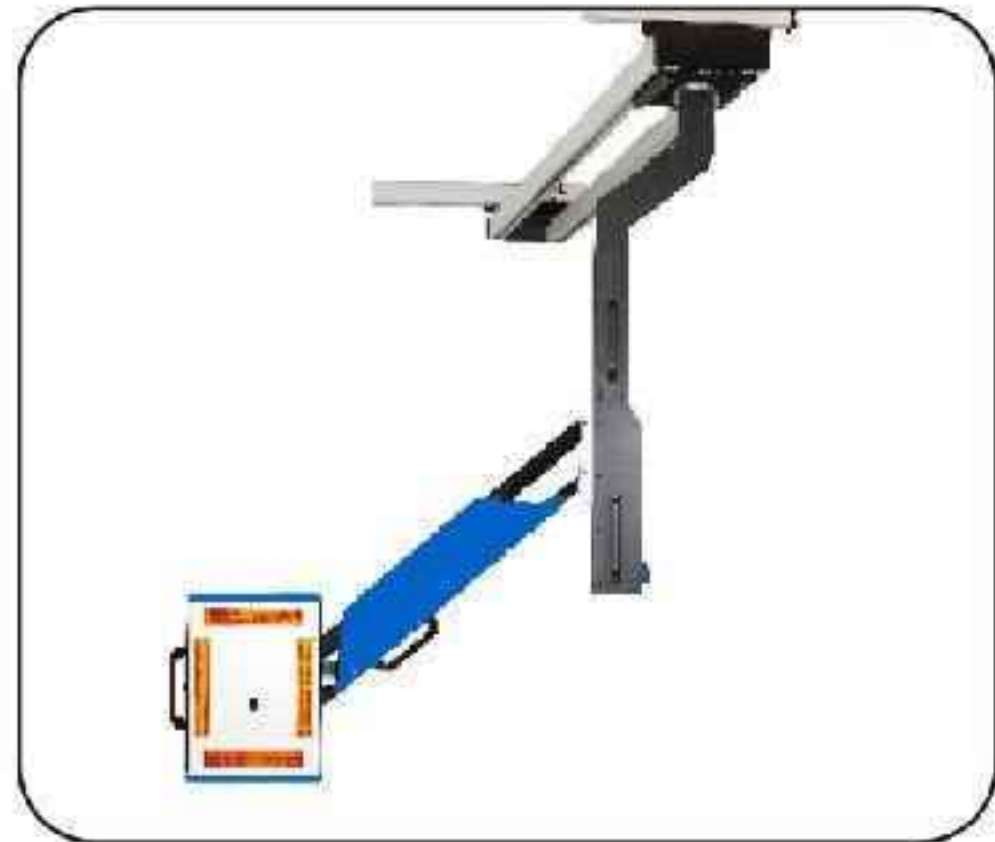
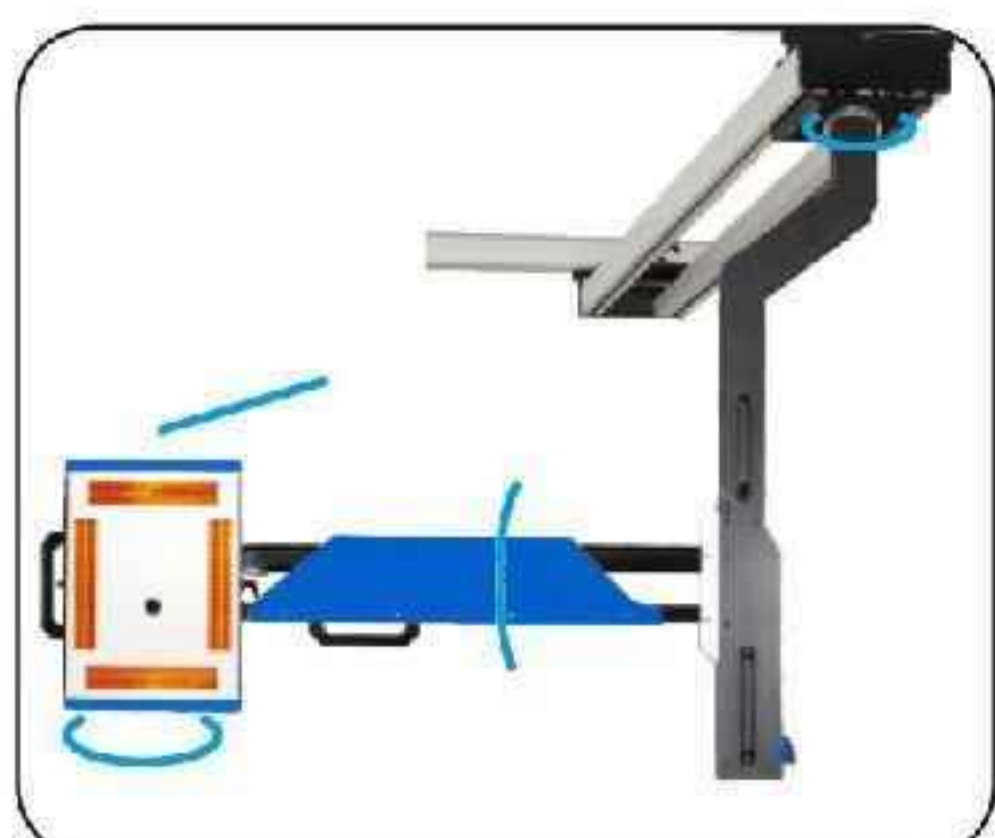
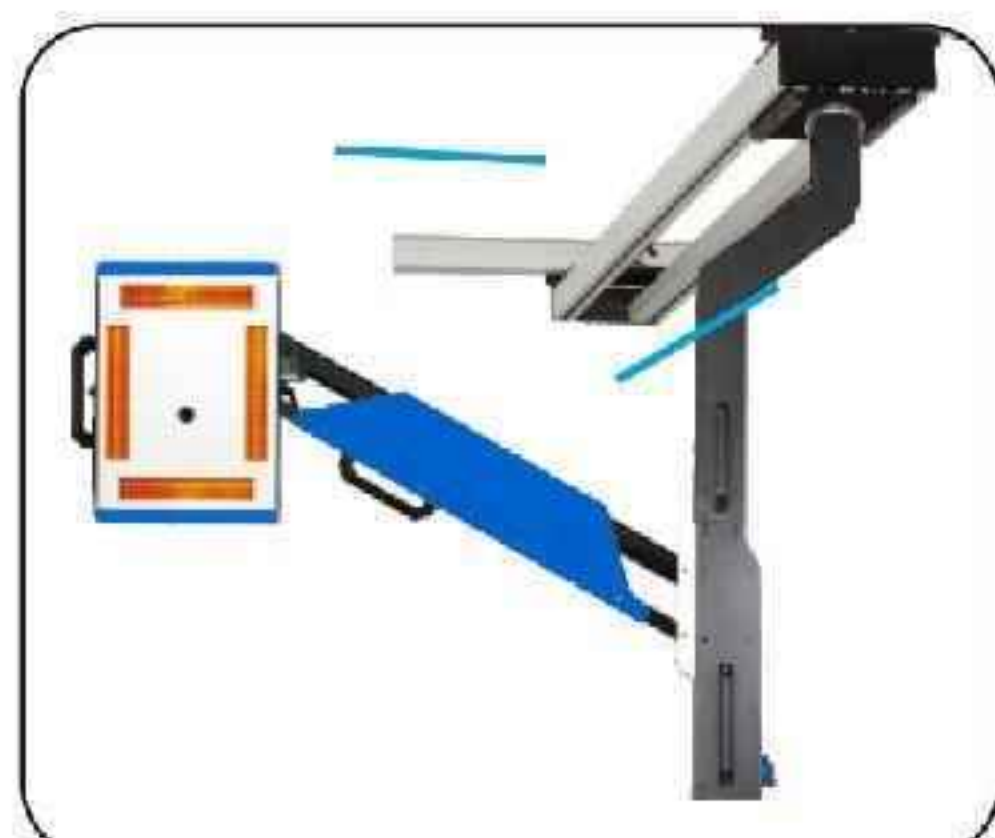


# Rail Series Infra-Red Dryer System

RSIR 4

RSIR 4S

RSIR 4ST



<b>RSIR4</b>		M	Basic functions: pre-heat and full baking
<b>RSIR4S</b>		M	Basic functions plus ultrasonic distance sensor
<b>RSIR4ST</b>		M	Basic functions plus ultrasonic distance sensor and temperature controller

## Technical Data

Model	RSIR4	RSIR4S	RSIR4ST
Input voltage(50/60Hz)	400V 3ph	400V 3ph	400V 3ph
Emitter power(W)	6000	6000	6000
Max power(kVA)	6.05	6.05	6.05
Timing range(min)	2X35	2X35	2X35
Temperature(°C)	60-70	60-70	60-70
Input voltage can be custom made, e.g. 400V 1ph, 220V 3ph...			



# Mobile Work Light

Visual lighting is very important to work efficiency. Improving the illumination can help to avoid visual fatigue, improve the operator's identification speed and accuracy, hence improve the work efficiency and safety. Solary's Mobile Work Light uses the latest technology in its illuminate parts. Coming with professional and innovative design, it's a good partner for working area to provide convenient, stable and eye protected lighting.

## High quality parts:

Philips new technology LED light tube(1.2M,16W/Unit or 0.6M,8W/Unit)



15000h Life



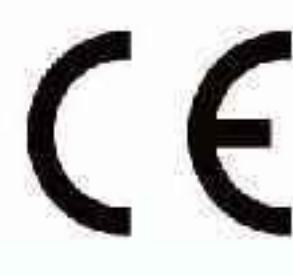
Lighting even & comfortable



Good color reproduction



Energy-efficient 16W=36W



With CE



With RoHS



With IEC (For eyes)

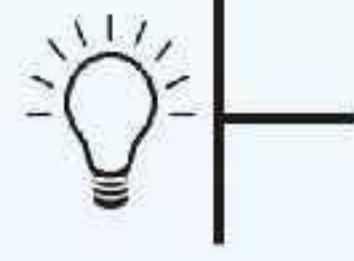


No ballast & starter, maintenance free

## Front cover



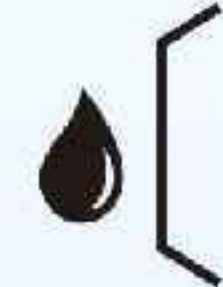
Professionally-designed front cover with light guiding stripes provides even and soft light.



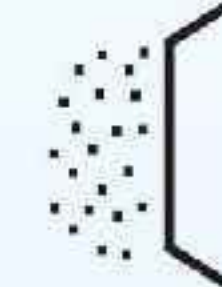
3 directions.



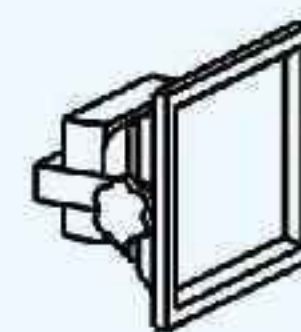
Moisture-proof



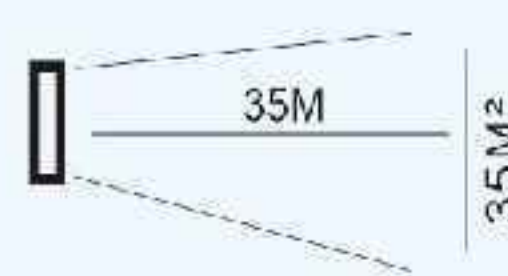
Water Proof



Dust Proof



## Sport Light



35M illuminating distance, and 35M<sup>2</sup> area.



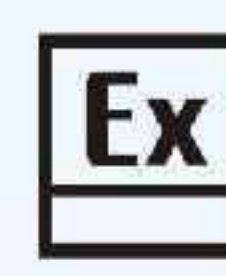
Water Proof



High strength aluminum body



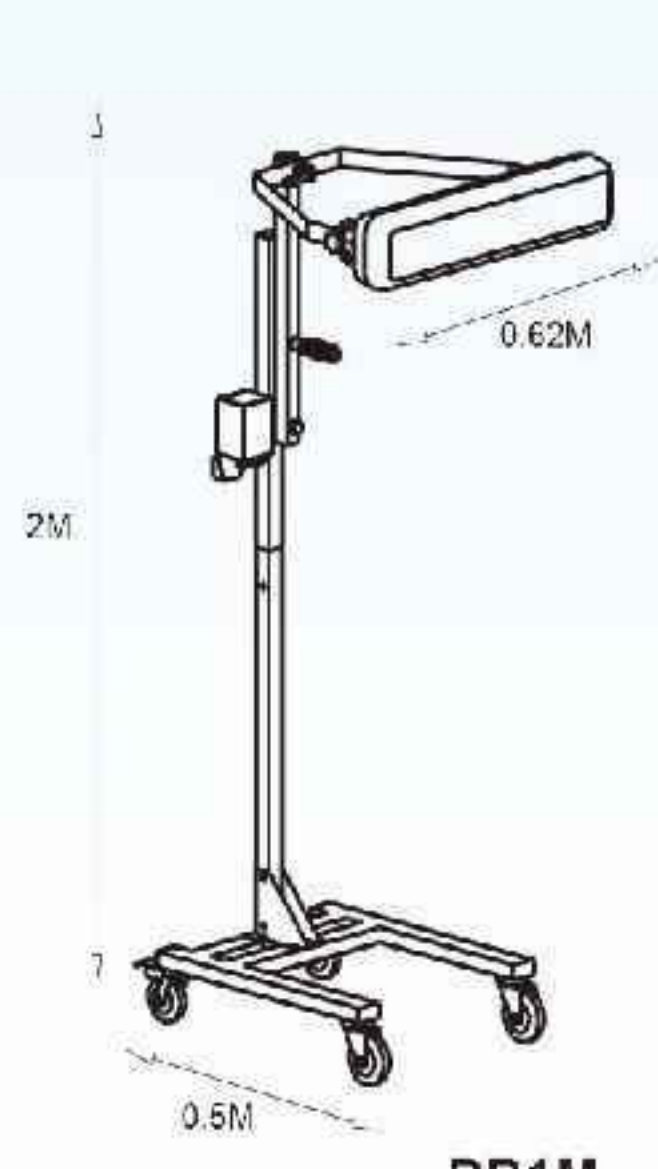
50000h Life



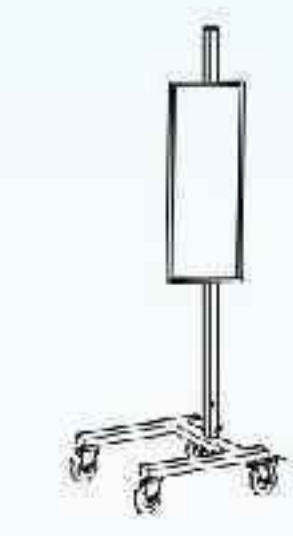
Explosion Proof glass



COB Light source chip



BR1M



Erectable for room save



4M Power cord



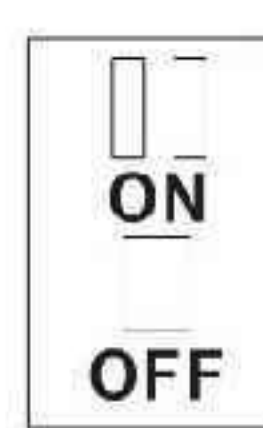
With brake



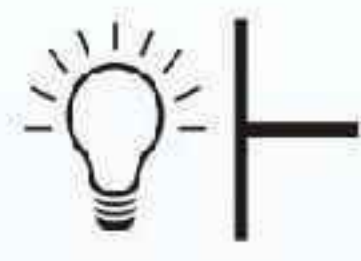
Stainless Post

BR1

BR2



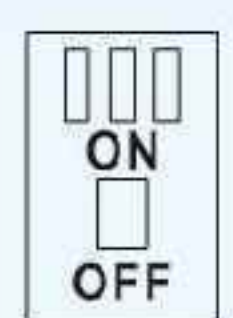
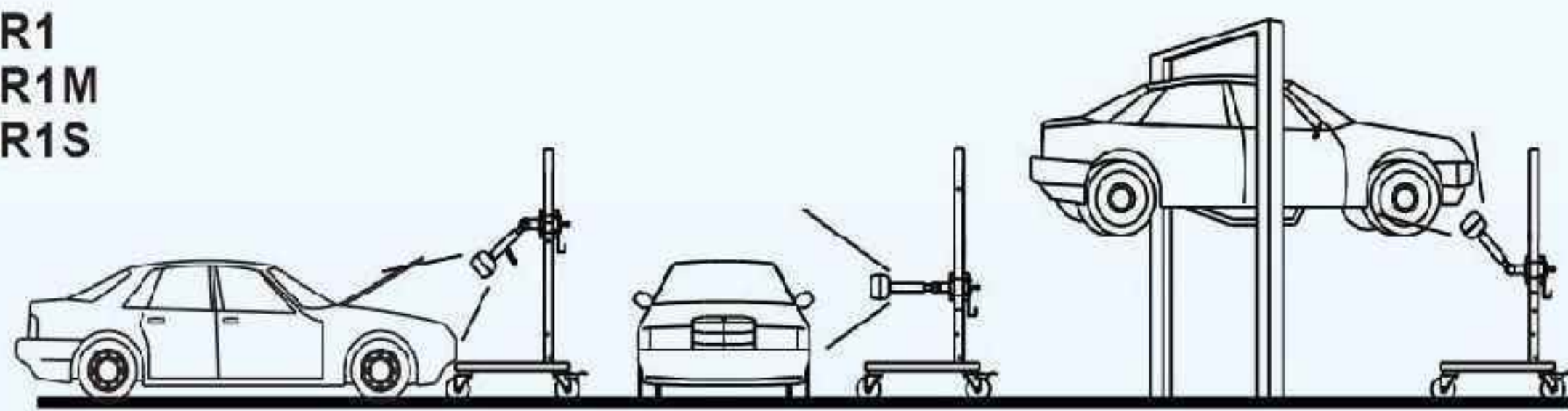
With dimmer



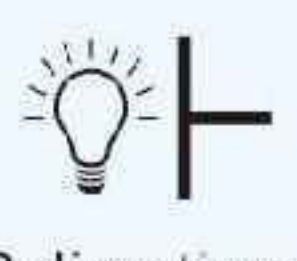
3 directions

BR1

BR1  
BR1M  
BR1S



With dimmer



3 directions

BR2

## Technical Data

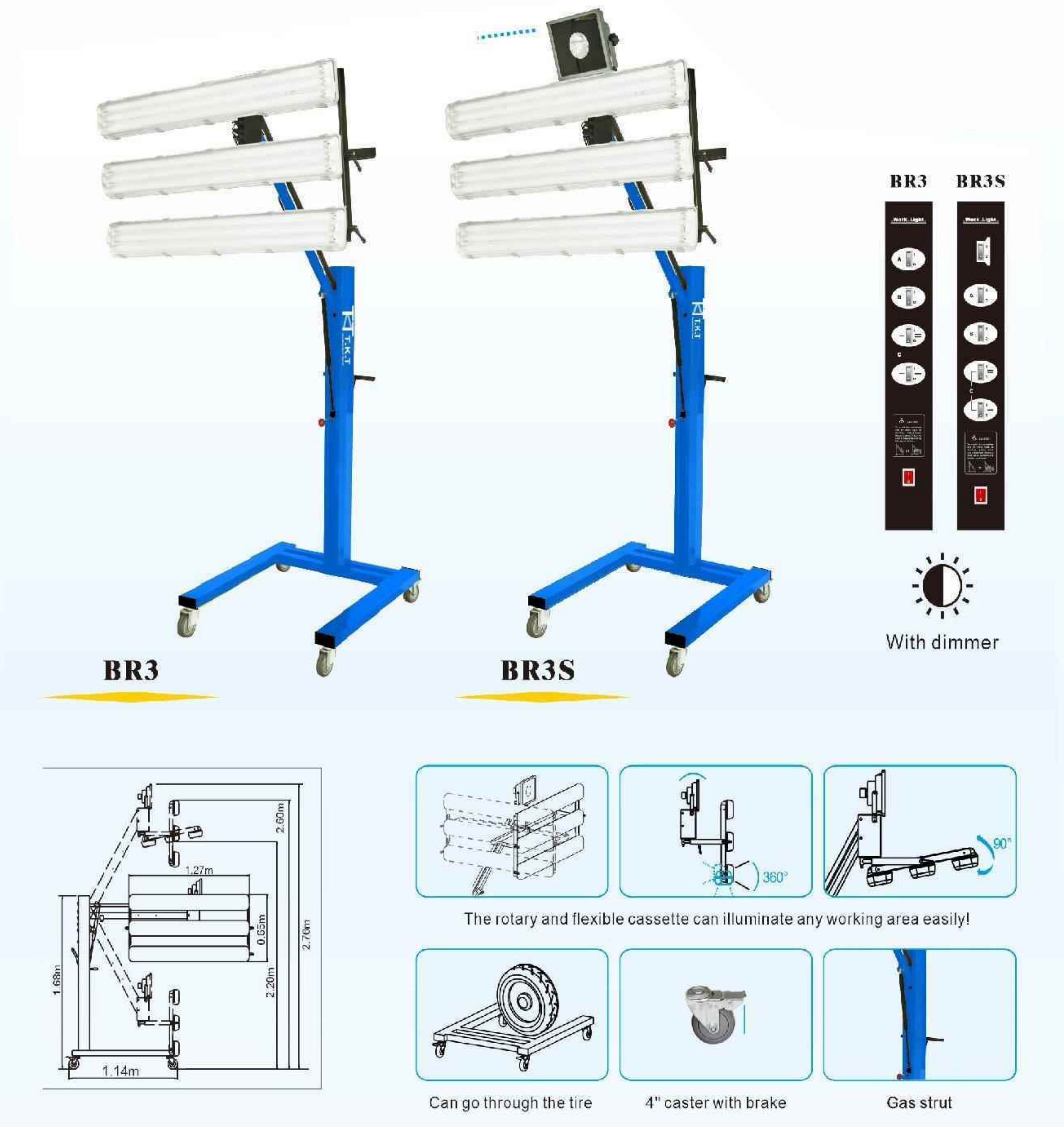
Model	Voltage	Max Power	Lumen	Net Weight
Br1	AC230V	48W Light tube	1600x3 lm	12 kg
Br2	AC230V	96W Light tube	1600x6 lm	13 kg

# Mobile Work Light

**BR3**

**BR3S**

- Gas strut for the ease of height adjustment .
- With a special design on the lowest cassette , it can turn to any direction and can work with up to 3 tubes.
- Good for detecting hail stone damage.



**Technical Data**

Model	Voltage	Max Power	Lumen	Net Weight
BR3	AC230V	144W Light tube	1600x9 lm	33 kg
BR3S	AC230V	144W Light tube + 50W Spot light=194W	1600x9 lm	34 kg

# Mobile Work Light

**B1M**

- Powerful direct penetration into the inner paint layer; Complete drying of two component paints within 15 minutes and polyester putty within 5 minutes.
- Portable design; convenient to curing feather edges, small spot or drying in hard to reach areas. Switch is next to the handle for convenient start and shut down.
- It is also used to soften trim mouldings when replacing wind screens or removing strips.
- Short wave infrared emitter modules: high light emitting efficiency.
- Switch: CE/UL certified, high quality and stable performance.
- Long life emitter: life span up to 6000 hours.
- Good power cord wiring design.
- Even radiation.
- With timer.



Technical Data	
Model	<b>B1M</b>
Input voltage(50/60Hz)	220V 1ph
Emitter power(W)	1X500
Max power(kVA)	0.5
Timing range(min)	0-30
Baking area(m²)	0.3x0.4
Temperature(°C)	60-70
Net weight(kg)	2.5
Input voltage can be customized	



**B1M**   No preheat function



Drying in hard reach area or small area      Removing strip      Replacing windshield      Soften trim moulding

# Paint Curing Equipment

## B1M2

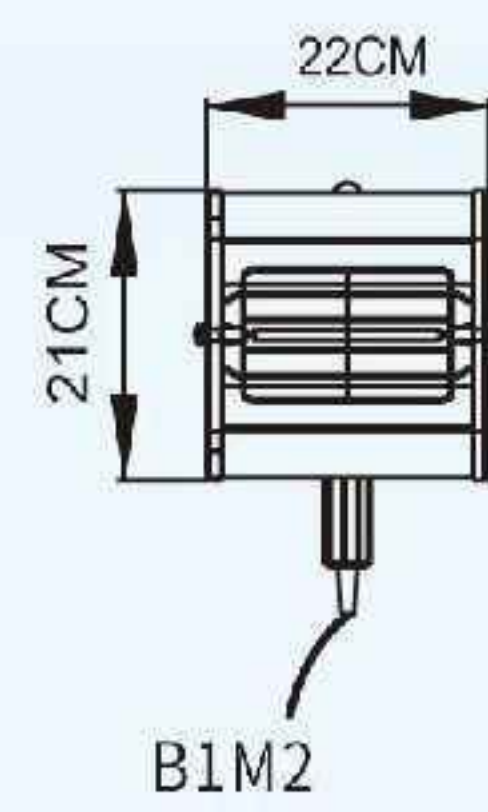
- Powerful direct penetration into the inner paint layer; Complete drying of two component paints within 15 minutes and polyester putty within 5 minutes.
- Portable design; convenient to curing feather edges, small spot or drying in hard to reach areas. Switch is next to the handle for convenient start and shut down.
- It is also used to soften trim mouldings when replacing wind screens or removing strips.
- Short wave infrared emitter modules: high light emitting efficiency.
- Switch: CE/UL certified, high quality and stable performance.
- Long life emitter: life span up to 6000 hours.
- Good power cord wiring design.
- Even radiation.
- With timer.



B1M2

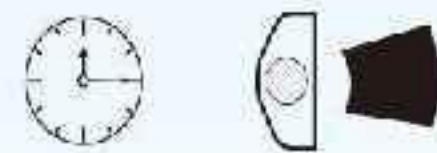
### B1M2

Technical Data	
Model	B1M2
Input voltage(50/60Hz)	220V 1ph
Emitter power(W)	1X500
Max power(kVA)	0.5
Baking area(m <sup>2</sup> )	0.3x0.4
Temperature(°C)	60-70
Net weight(kg)	1.65



B1M2

### B1M2



Function: timer, full baking



Drying in hard reach area or small area



Removing strip



Replacing windscreen



Soften trim moulding

# Paint Curing Equipment

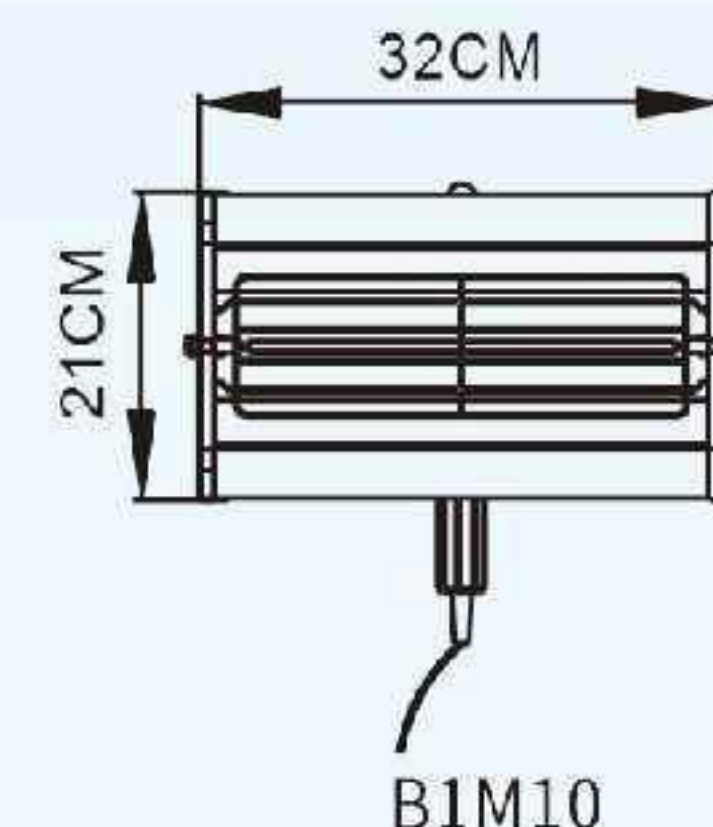
## B1M10

- Powerful direct penetration into the inner paint layer; Complete drying of two component paints within 15 minutes and polyester putty within 5 minutes.
- Portable design; convenient to curing feather edges, small spot or drying in hard to reach areas. Switch is next to the handle for convenient start and shut down.
- It is also used to soften trim mouldings when replacing wind screens or removing strips.
- Short wave infrared emitter modules: high light emitting efficiency.
- Switch: CE/UL certified, high quality and stable performance.
- Long life emitter: life span up to 6000 hours.
- Good power cord wiring design.
- Even radiation.
- With timer.



### B1M10

Technical Data	
Model	B1M10
Input voltage(50/60Hz)	220V 1ph
Emitter power(W)	1X1000
Max power(kVA)	1
Baking area(m <sup>2</sup> )	0.5x0.4
Temperature(°C)	60-70
Net weight(kg)	2.07



B1M10

### B1M10



Function: timer, full baking



Drying in hard reach area or small area



Removing strip



Replacing windscreen



Soften trim moulding

# Match Lamp

**B1M2**

## COLOR MATCH KIT

The colour matching light, it is easy to tell even the slightest change in colour.

On a rainy day, nighttime, indoors, or other artificial illuminated areas, with the help of our LED colour match lamp, one can see the real color as it would appear under sunlight.

Show all the hiding colours and slight scratches more clearly than sunlight.

light can work 2.5-5hours after full charge.

Water - proof grade is IPX-4.



**CM1K**

Performance comparison of normal work light and clear view colour matching light



Mixing and matching automotive paint under artificial light is impossible. Thanks to our new design you can bring the sunlight inside your workshop.



Show all the hiding colours and slight scratches more clearly than sunlight.

The kit include:

### Match Lamp



1m



1500 Lumen  
750 Lumen



4500  
KELVIN



CRI>95  
(Ra)



Water Proof  
IPX-4



Rechargeable



3h  
1500 Lumen  
6h  
750 Lumen



3h

### Match Pen



Ultra high  
CRILED



100  
Lumens



4500  
KELVIN



CRI>95  
(Ra)



Water Proof  
IPX-4



2\*AAA/1.5V

Under sufficient lighting condition, you still can not see the hiding colours, but with the help of our clear view color matching light, you can see all the real colours vividly.

# Painting Sample Dryer

## PD 201 / PD 301

### Painting Sample Dryer

Usage: in order to recover the colour of car body precisely during the repairing, the operator usually spray a sample to test the allotted paint, and blowing or baking, in order to decide to reallocate the paint or not.

- Good quality parts: 6000 hour long life infra-red tube, switch and timer with TÜV CE.
- With shortwave infrared light and compressed air, can use together or separate.
- With handle tray for place the sample in or out conveniently.
- With film of painting sample, easy to compare and storage.
- Temperature controller for infrared light from 35°C~90°C.
- Timer for baking and compressed air (PD301).
- Wall-mounted or stand on desk are all right.
- Adjustable compressed air supply.



### Technical Data

Model	PD-201	PD-201
Input voltage(50/60Hz)	230V	230V
Emitter power(W)	300	300
Max power(W)	300	350
Timing rang(min)	30	30
Temperature(°C)	35-90	35-90
Input air(bar)	-	3-8
Net weight(kg)	5.3	5.7

# Painting Sample Dryer

## PD 302

### Painting Sample Dryer

Usage: in order to recover the colour of car body precisely during the repairing, the operator usually spray a sample to test the allotted paint, and blowing or baking, in order to decide to reallocate the paint or not.

- Good quality parts: 6000 hour long life infra-red tube, switch and timer with TÜV CE.
- With shortwave infrared light and compressed air, can use together or separate.
- With handle tray for place the sample in or out conveniently.
- With film of painting sample, easy to compare and storage.
- Temperature controller for infrared light from 35°C~90°C.
- Timer for baking and compressed air (PD301).
- Wall-mounted or stand on desk are all right.
- Adjustable compressed air supply.

### Technical Data

Model	PD-302
Input voltage(50/60Hz)	230V or 120V
Emitter power(W)	300
Max power(W)	350
Timing rang(min)	30
Temperature(°C)	35-90
Input air(bar)	3-8
Net weight(kg)	6.8



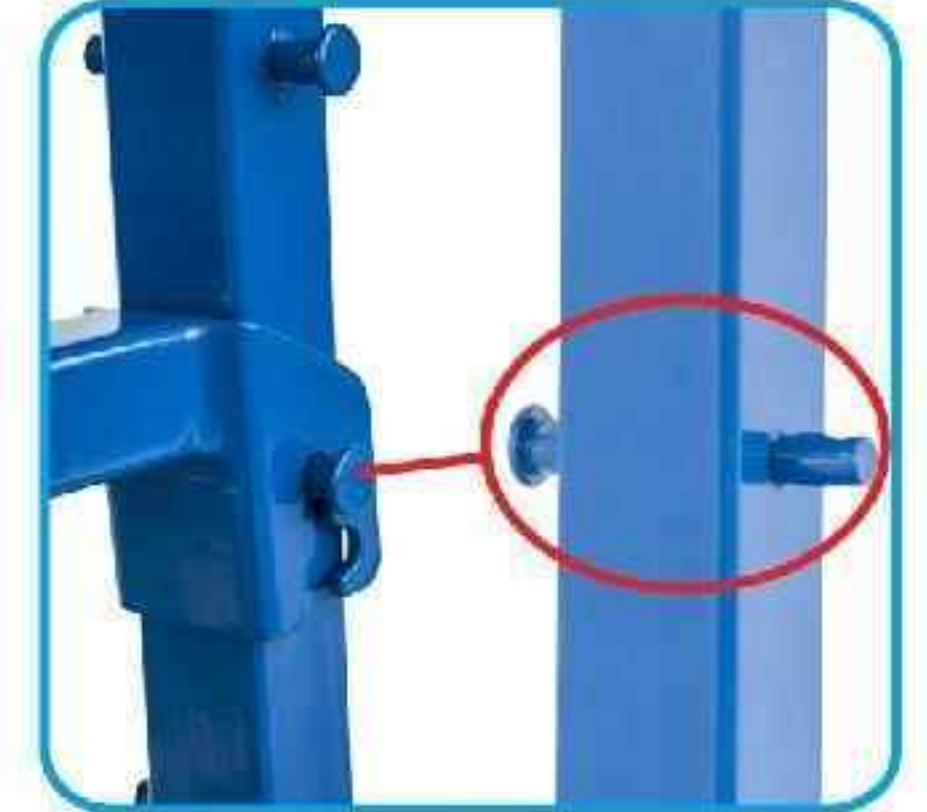
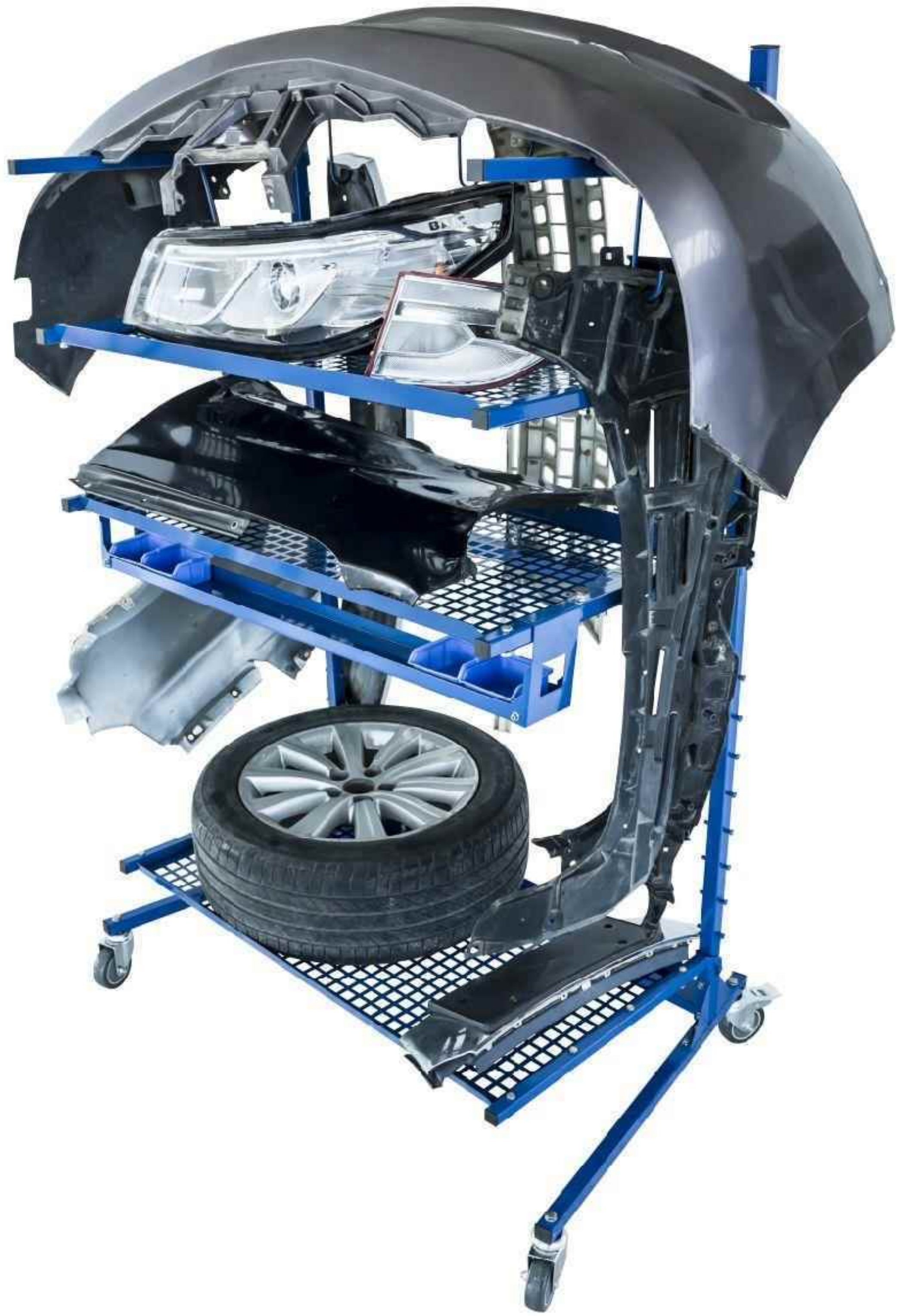
# Cart & Stands

## Management cart

The shelf parts cart is a parts management system. It can be folded for easy storage and space saving. The tight mesh shelves prevent small items from falling. The shelves are 21' in width and 38' in length with tube framing outlining the shelf for added strength. Special design post to supply strong suspension for shelves. For longevity and sturdier than most on the market.

## Features

- Can be folded for storage; minimal floor space needed.
- Mesh shelves that are 21' in depth and 38' in length.
- Open design for easy loading & unloading.
- Load parts directly from the delivery truck.
- Built with steel tube construction.
- Compact packaging.
- Shelf position can be adjusted in seconds.
- Durable powder coat finish.
- Fast and easy to assemble.
- Come with brake casters.



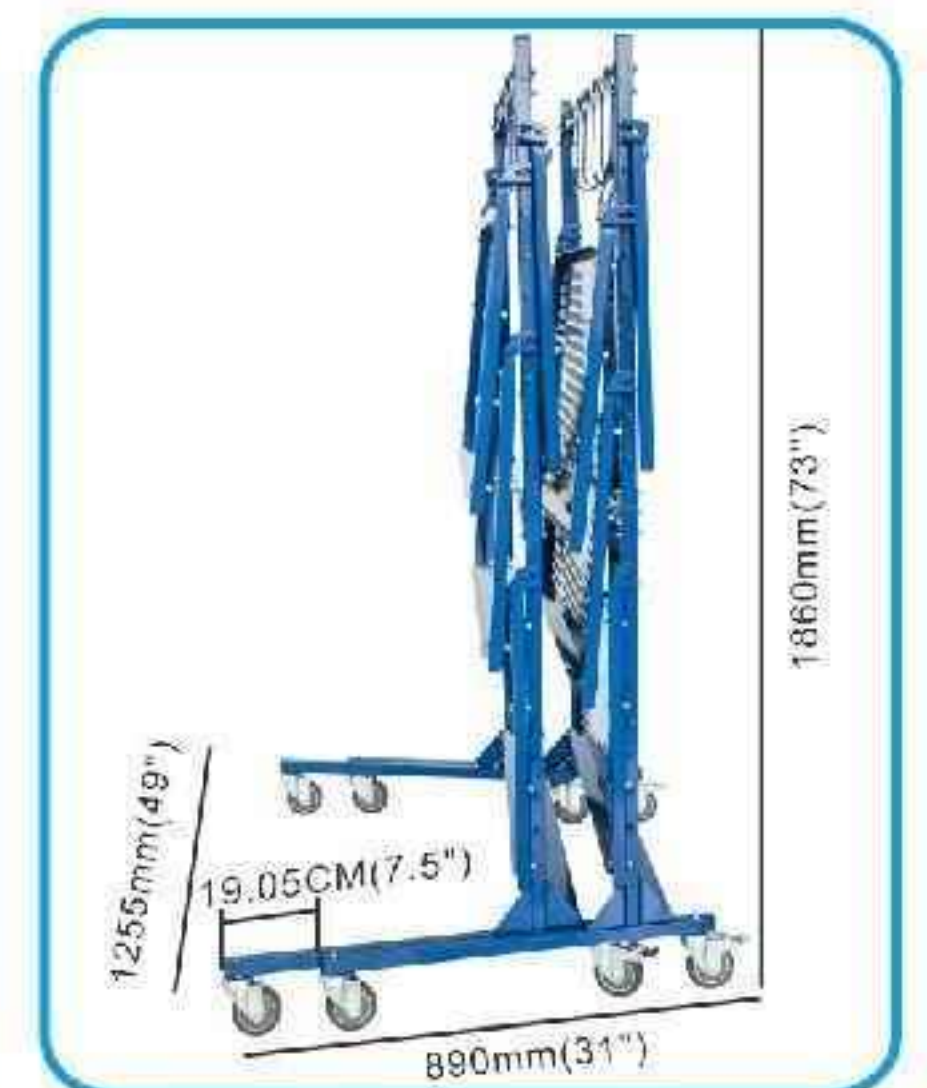
Special design post to supply strong suspension for shelves.



4" caster with brake



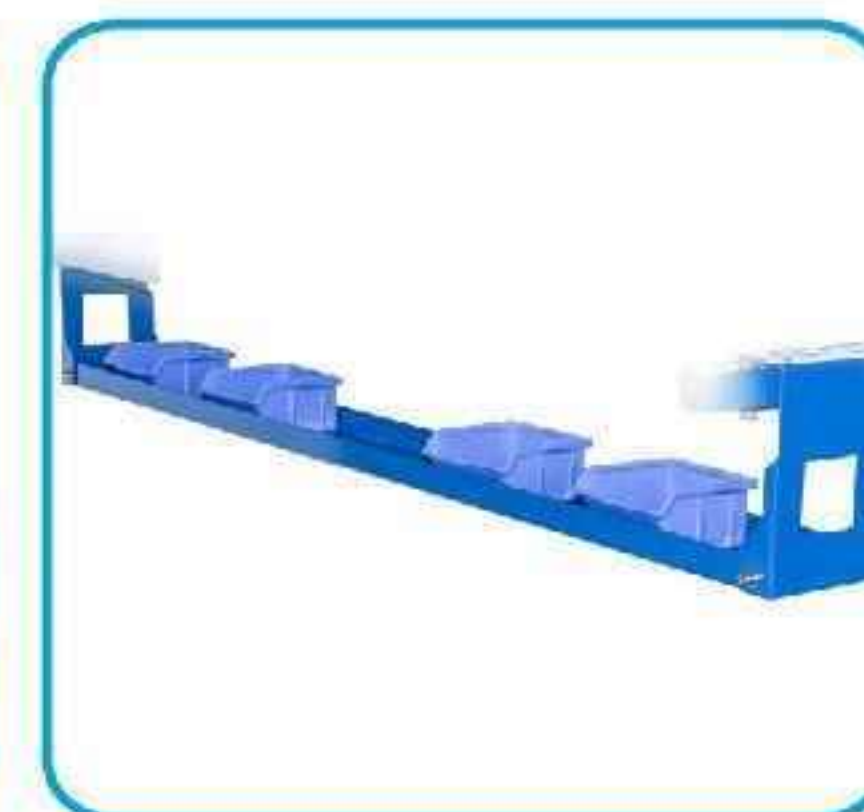
The flat pans supply good protection for parts.



Can be folded up to save room.



Strong post support.



With 4 plastic trays, organize & prevent loss or damage of smaller parts, or bolts and nuts. Easily removed the suspend tray with a quick "up & open" Can be hang up when unuse.



Can be folded up to save room.  
Net weight: 40KG

# Cart & Stands

PS 302

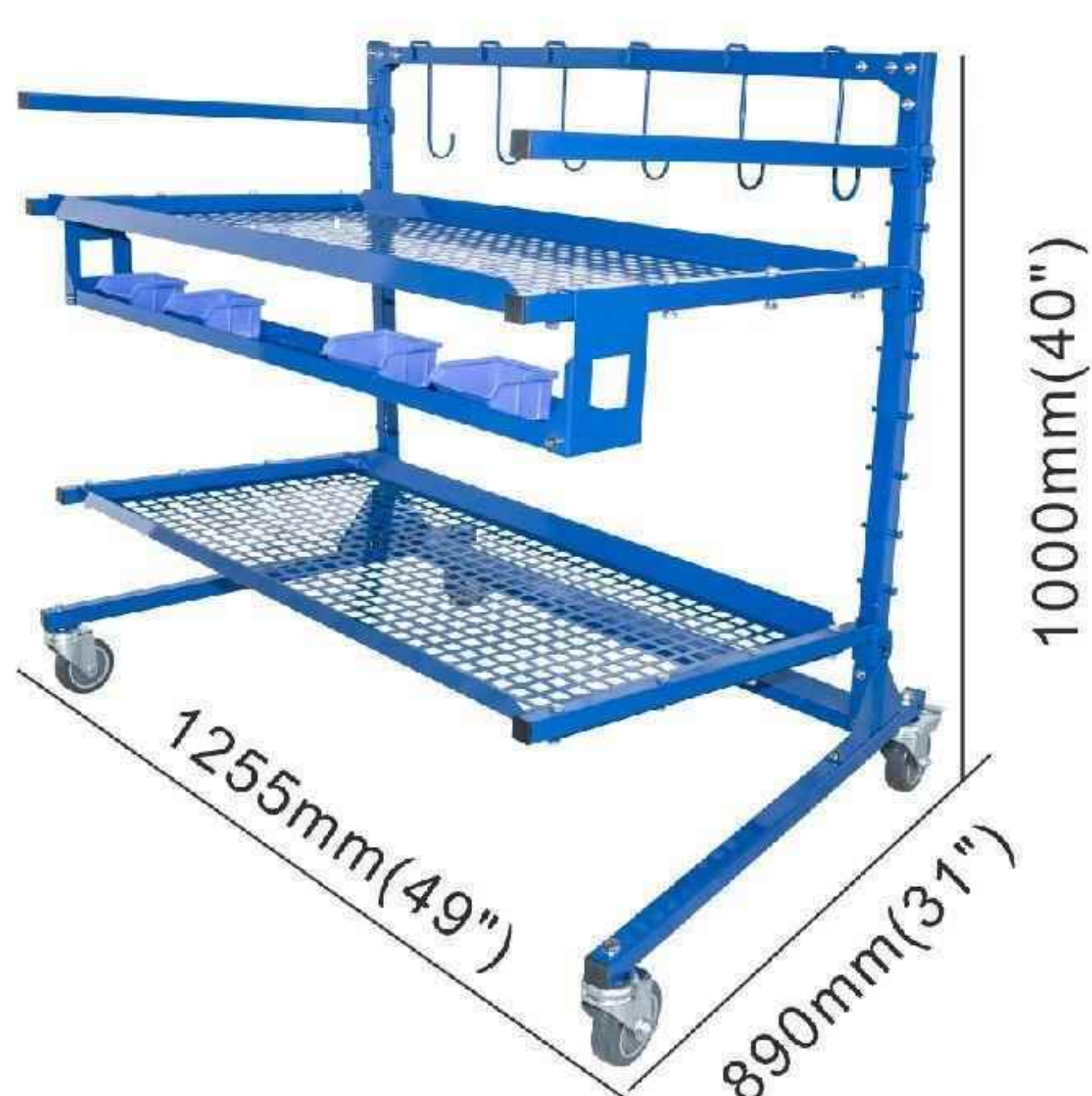
PS 302E



PS 302



Folds up



PS 302E



Folds up



# Cart & Stands

## PS 306

### Material Handing cart

Designed for temporarily storage of various parts and tools in car body shops to increase work efficiency.

#### Features

- Portable design to move freely within the car body shops
- Strong casters with brakes to make sure the carts are in good balance.
- Easy to store various parts and material in clear view.
- Compact packaging.
- Adjustable shelves position.
- Durable powder coat finish.



PS 306



With 2 metal trays for organizing & preventing loss or damage of smaller parts, bolts and nuts, suspended are flexible.



Height adjustable



Strong between two parts connection



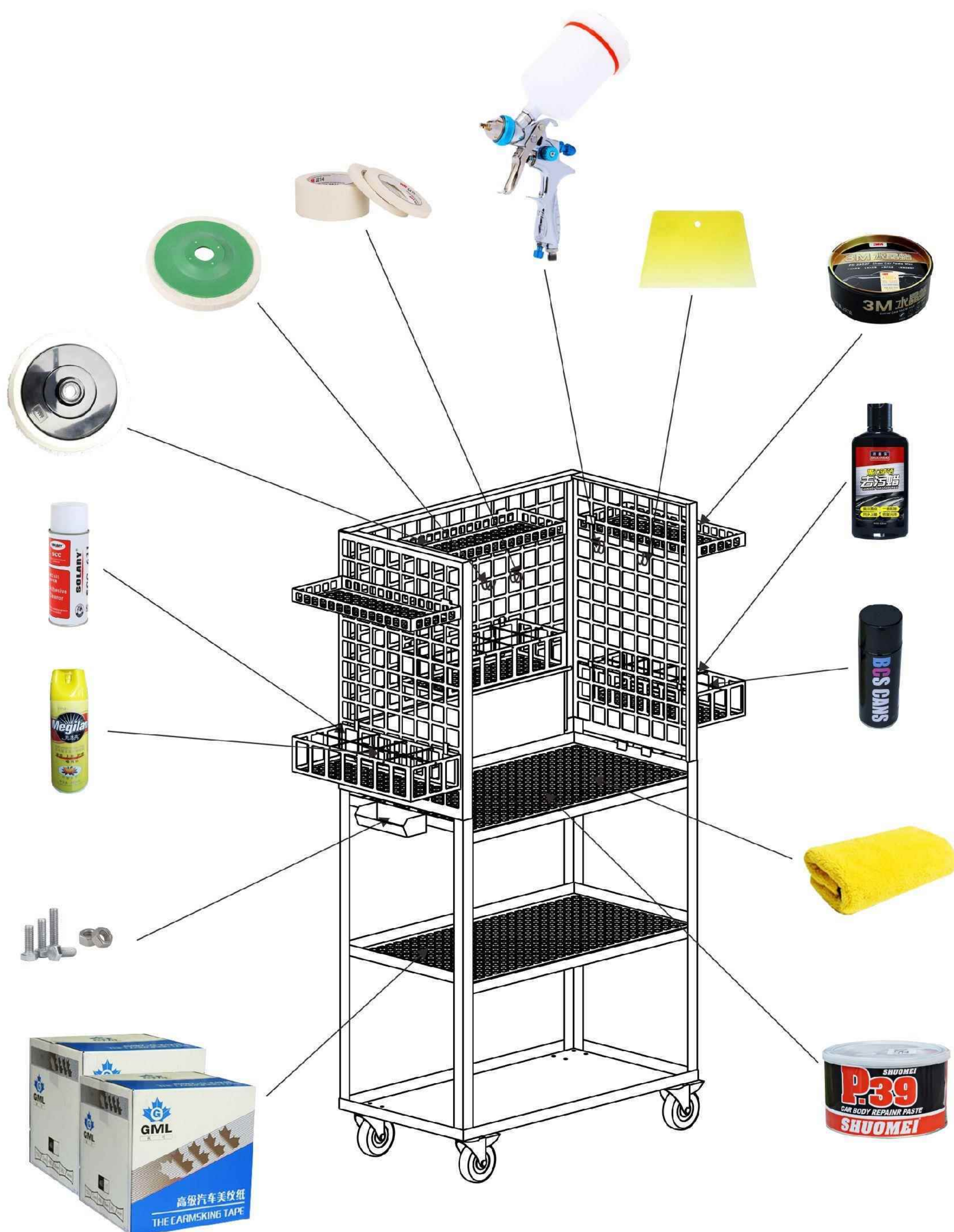
The flat pans supply good protection for parts.



4" caster with brake



Bearing capacity & size  
Net weight: 28KG



# Cart & Stands

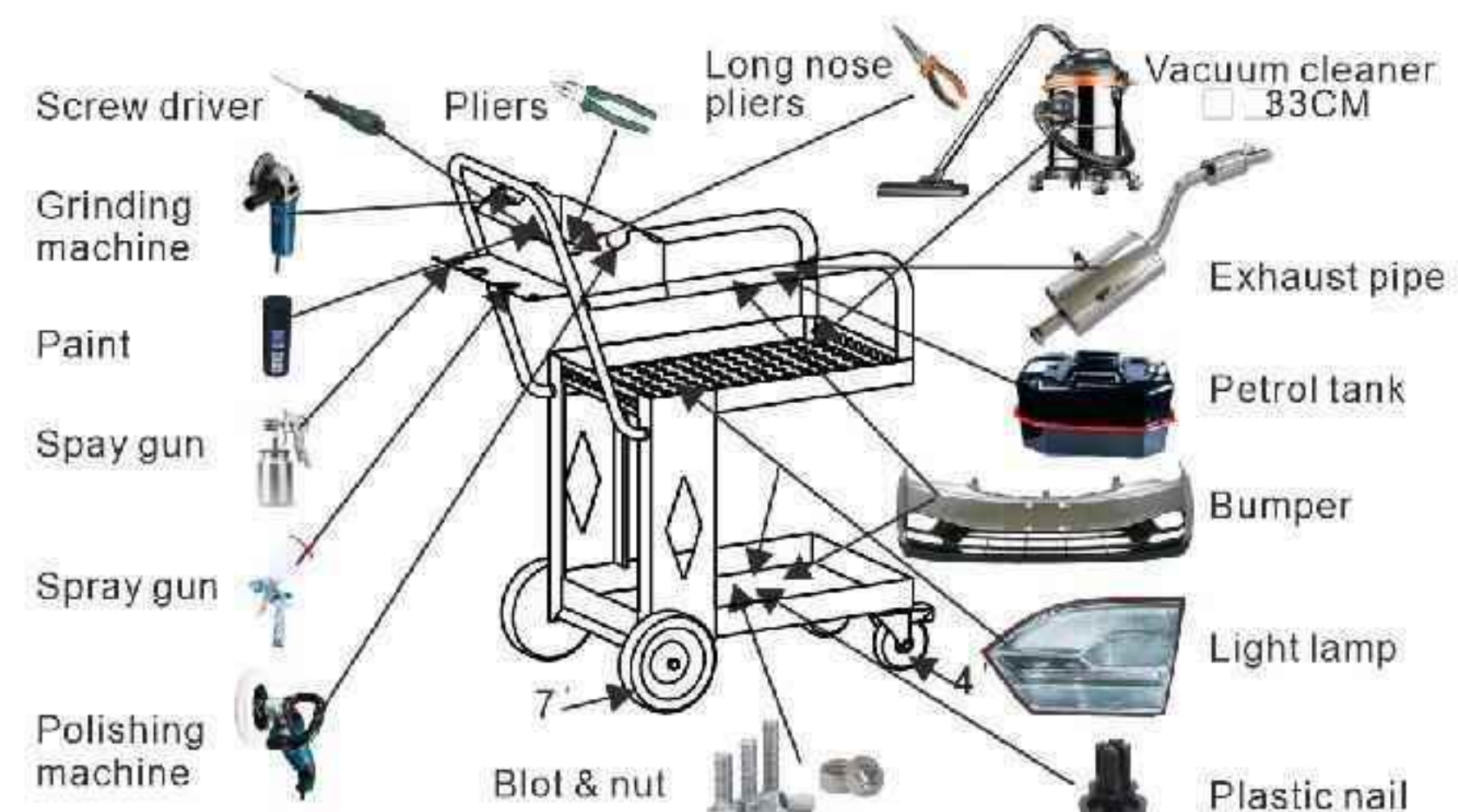
## PS 308

### Detailing Trolley

Designed for temporarily storage of various parts and tools in car body shops to increase work efficiency.

#### Features

- Durable power-coat finish.
- Compact package.
- With 4' casters and 7' industrial wheels.
- Bottom shelf is designed with no holes for storage of small parts and screws.
- Suspension upper shelf to place or take out parts from bottom shelf easily.
- The punching hole design on upper shelf provides users a clear view on parts in the bottom shelf, and can also be used to hang screw drivers.
- With a special designed tray, user can store a variety range of tools, such as: adhesive, paints, spay guns, grinders and polishers .
- With 2 pipes in the upper shelf:
  - A. User can store and move big size parts easily, such as bumpers , SUV foot plates, exhaust pipe units, front fenders, fuel tanks, etc;
  - B. The pipe is covered by another EVA pipe, together with two elastic ropes on the trolley, this provides protection and stability for items placed on the shelf.



With a special designed tray, can store the tools. With 2 pipes in the upper shelf. Can store and move the big size parts easily.



Suspension upper shelf design helps to place or take out items from bottom shelf easily.



With 2 pipes in the upper shelf. Which cover by EVA pipe, the trolley with two elastic ropes, providing the parts strong protection and fixing.



Bearing capacity & size  
Net weight: 21KG

# Cart & Stands

## PS 312

### Workshop Trolley

- Double wheels for the ease of mobility in spray booth.
- Provide good protection for parts with foam.
- Clear categorization system.
- Extra room for big parts.
- Compact packaging.
- Sturdy structure.

- Dimension:W850 x L600 x H1900mm
- Gross weight: 50KG



## PS 312

# Cart & Stands

## PS 218

### Rotatable Painting Stand

For premium painting result, easy operation & to reduce the impact on the other sections during the car body repair, parts need to be taken off from main body for spray or repair jobs to be done.

- 360 degree rotatable
- Can be disassembled for cleaning
- Special designed double-roll casters with brakes for portability.
- Adjustable table height from 870mm to 1240mm.
- Wire and clip to lock and stabilize the stand in spray booth.
- 4 free adjustable holders (150mm height).
- Ideal for small item painting.
- Dimension(mm): L960 x W550
- Net weight: 14kg



PS 218

## Coating Thickness Gauge

### Coating Thickness Gauge



TG820



### Usage.....



Model	Probe type	Principle	Range	Accuracy	Resolution	Readings memory	Length of power cord	mm	
								mm	kg
TG820	Fe	Magnetic	0~2000um	± (2.5%+1um)	0.1um(<100um)	320	3m	53x24 x113	0.08
	Nfe	Eddy currents			1um(others)				

# Digital Dent Puller

## 3250

Functions: washer welding, stub welding, carbon rod heating, partial heating, upsetting and for car body.

- Microprocessor controlled; Multi-function control panel to automatically set the spot welding parameters with manual adjustment allowed.
- Automatic detection welding (with manual allowed).
- Thermal protection.

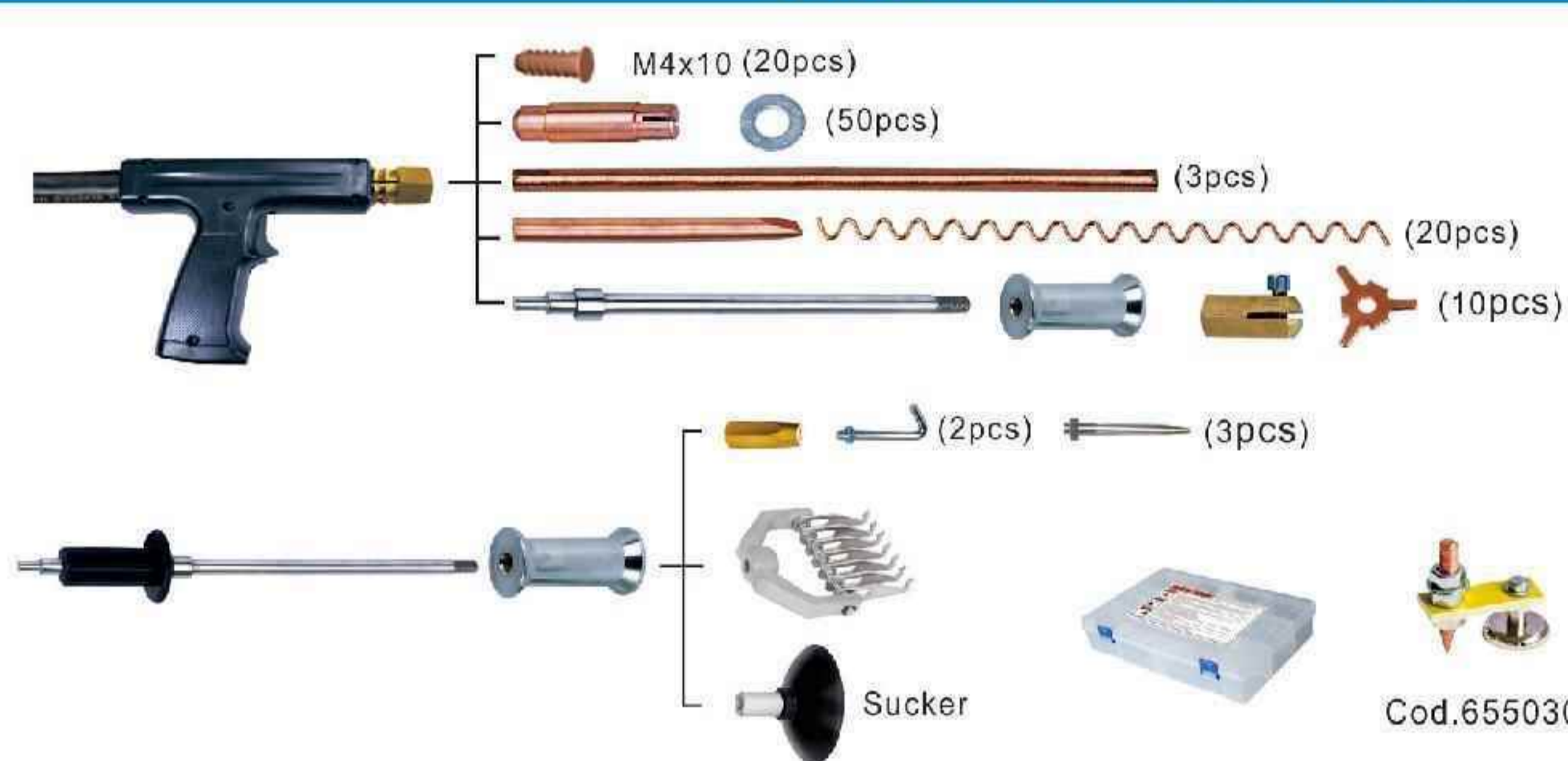


**3250D**

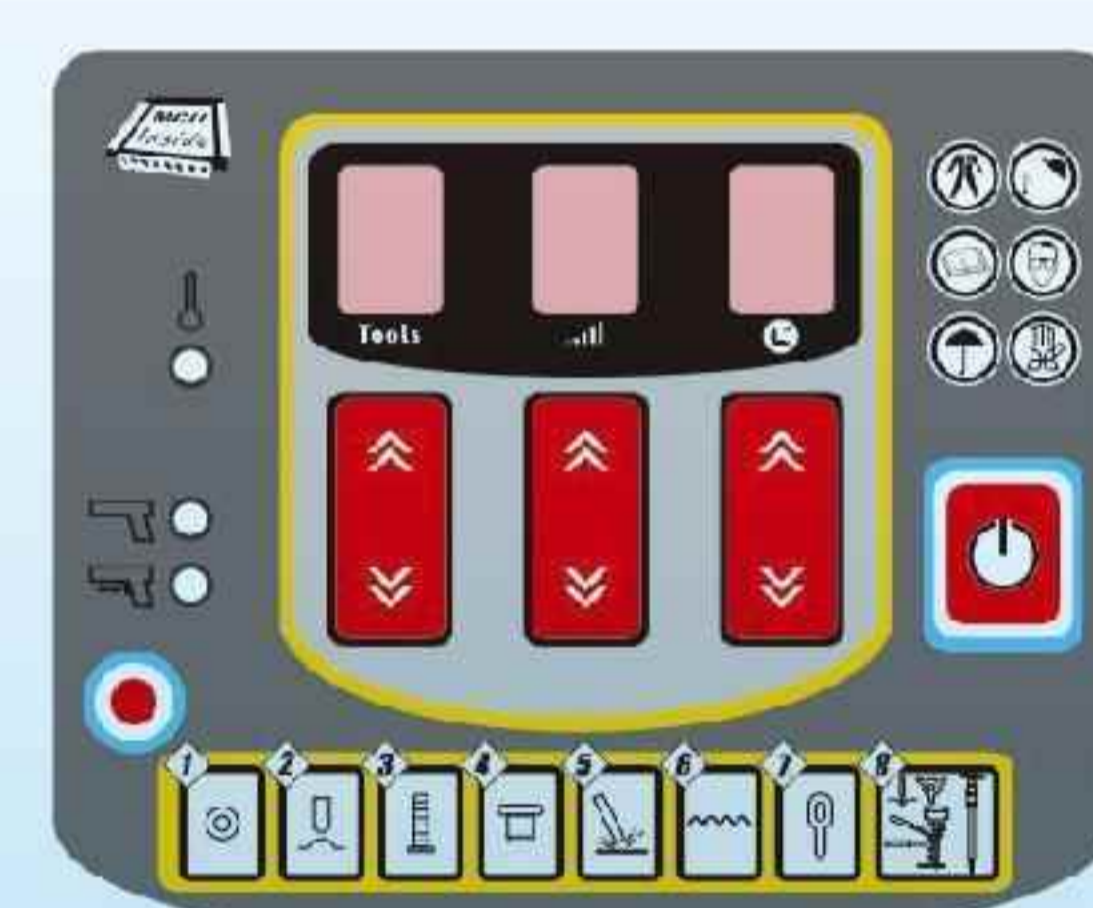
### Technical Data

Model	3250D
Input voltage(50/60Hz)	AC 110V/ 230V,50/60Hz
Charge voltage(V)	8.8V-9.2V
Max spot welding current(A)	1000A-2800A
Dimensions(mm)	L400 x W240 x H240
Net weight(kg)	20
Input voltage can be customized	20

### Standard Accessories



### Optional



**3250D**

## Dent Puller

### DR30 / DR38

The dent repair technology of automobile injury free paint is an international advanced technology for repairing the dent of automobile body. Compared with the traditional dent repair method, it can save more time and have good repair effect; It has unique advantages in repairing the car body of many parts such as door, machine cover and rear box cover (the machine can not guarantee the repair if the depression is too deep, there are obvious creases or the depression has been hit into sharp angles, etc.).

- the machine body is light, easy to move and place, and has complete protection functions. The liquid crystal display can intuitively display the working time and power of the current machine, and the operation is simple
- compared with the repair method of welding, the power is small, the power requirements are low, and there are no safety problems caused by spark splash.
- no welding, puttying, painting and other processes are required, which is energy-saving and efficient.
- quickly heat the sheet metal to facilitate the repair of small-area sheet metal with injury free paint.
- LCD color display: with powerful control software.
- no damage to the original paint, more convenient repair.moved through special joints. Equipment for recovering walnut sand and carbon deposition mixture to dust collection bucket.



**DR30**



**DR38**

### Standard Accessories



Before



After

### Technical Data

Model	DR30(iron body)	DR38(Aluminum body)
Input power	230V, 50HZ	230V, 50HZ
Rated power	1100W	1500W
Rated input current	5A	6.8A
Efficiency	≥90%	≥90%
Power factor	≥0.95	≥0.95
Insulation grade	F	F
Dimensions(mm)	226x170x117	226x170x117
Net weight(kg)	2	2

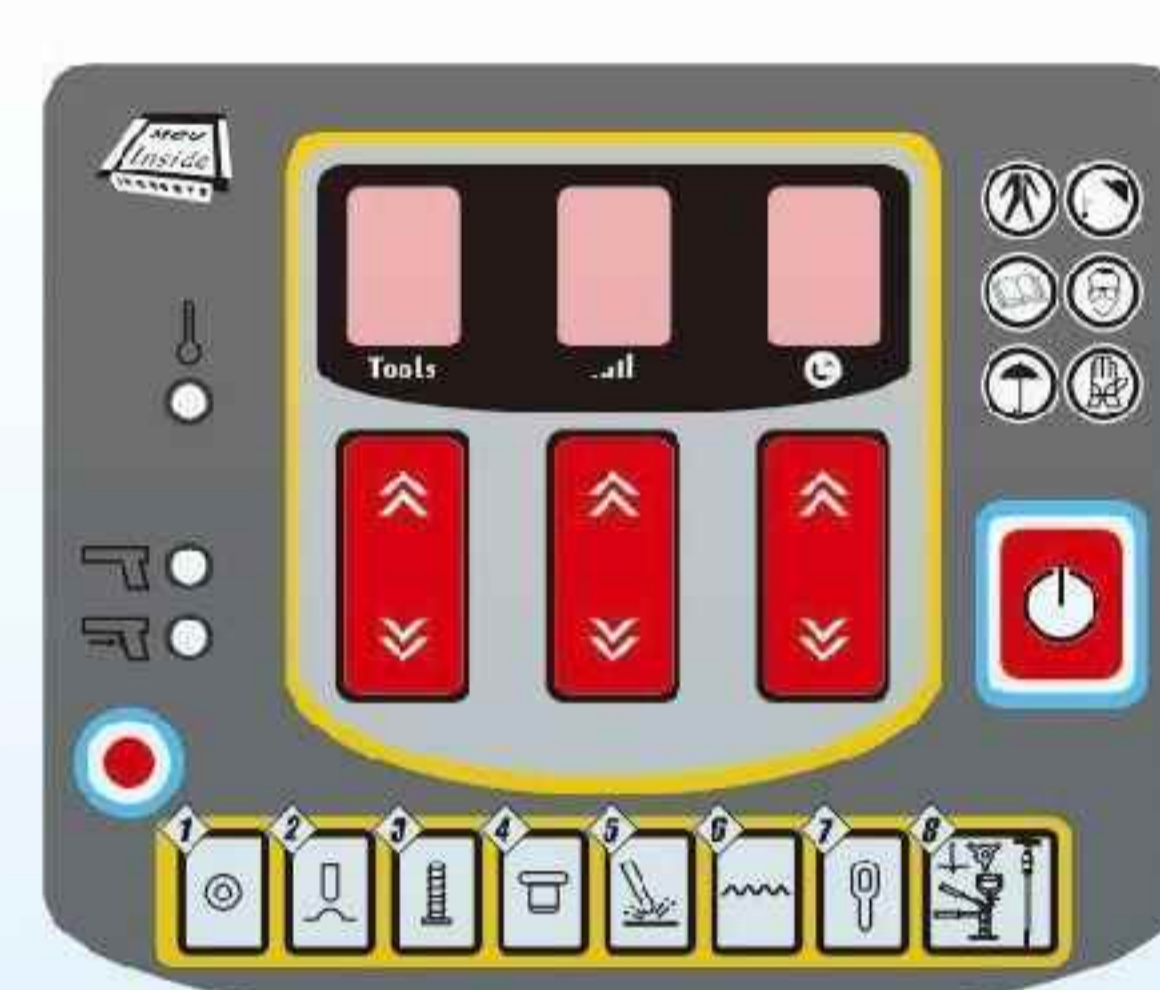
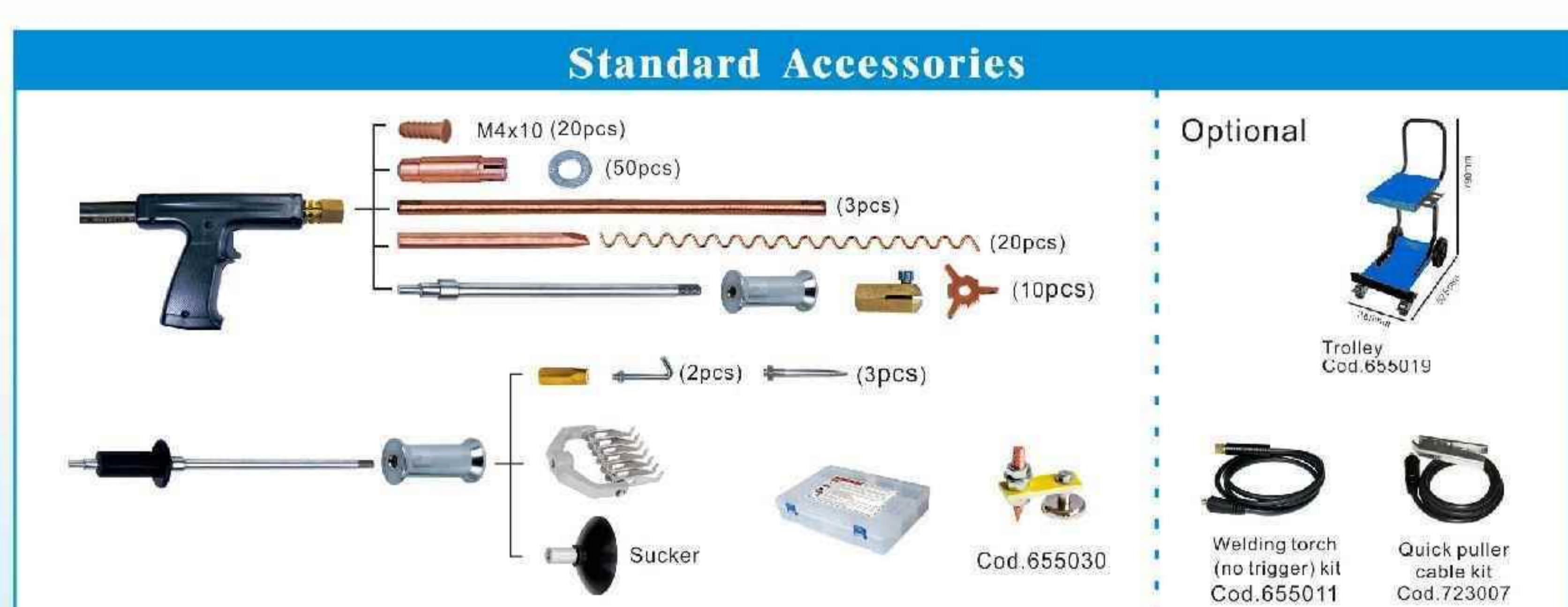
# Digital Dent Puller

## EC28

- Functions: washer welding, stub welding, carbon rod heating, partial heating, upsetting and for car body.
- Microprocessor controlled; Multi-function control panel to automatically set the spot welding parameters with manual adjustment allowed.
  - Automatic detection welding (with manual allowed).
  - Thermal protection.



EC28



EC28

### Technical Data

Model	EC28
Input voltage(50/60Hz)	AC 110V/ 230V,50/60Hz
Charge voltage(V)	8.8V-9.2V
Max spot welding current(A)	1000A-2800A
Dimensions(mm)	L400 x W240 x H240
Net weight(kg)	18.2
Input voltage can be customized	

# Dent Puller

## 3230D / 3230S

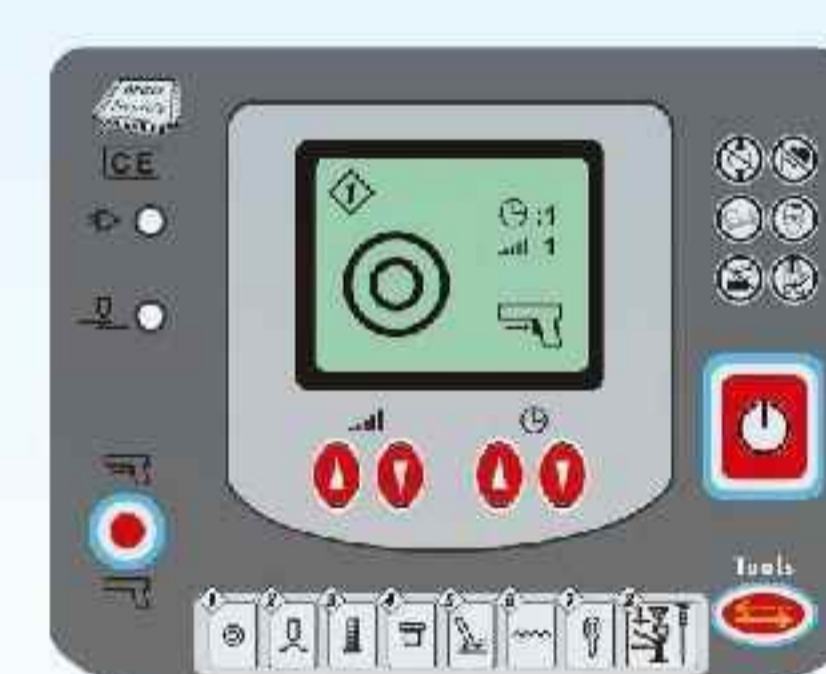
- Functions: washer welding, stub welding, carbon rod heating, partial heating, upsetting and for car body.
- Microprocessor controlled; Multi-function control panel to automatically set the spot welding parameters with manual adjustment allowed.
  - Automatic detection welding (with manual allowed).
  - Thermal protection.



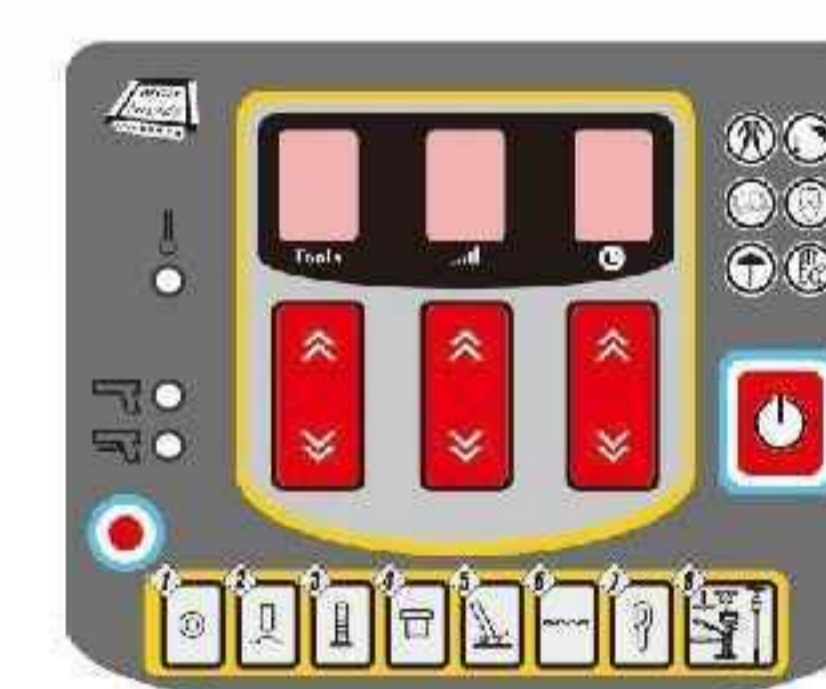
3230D



3230S

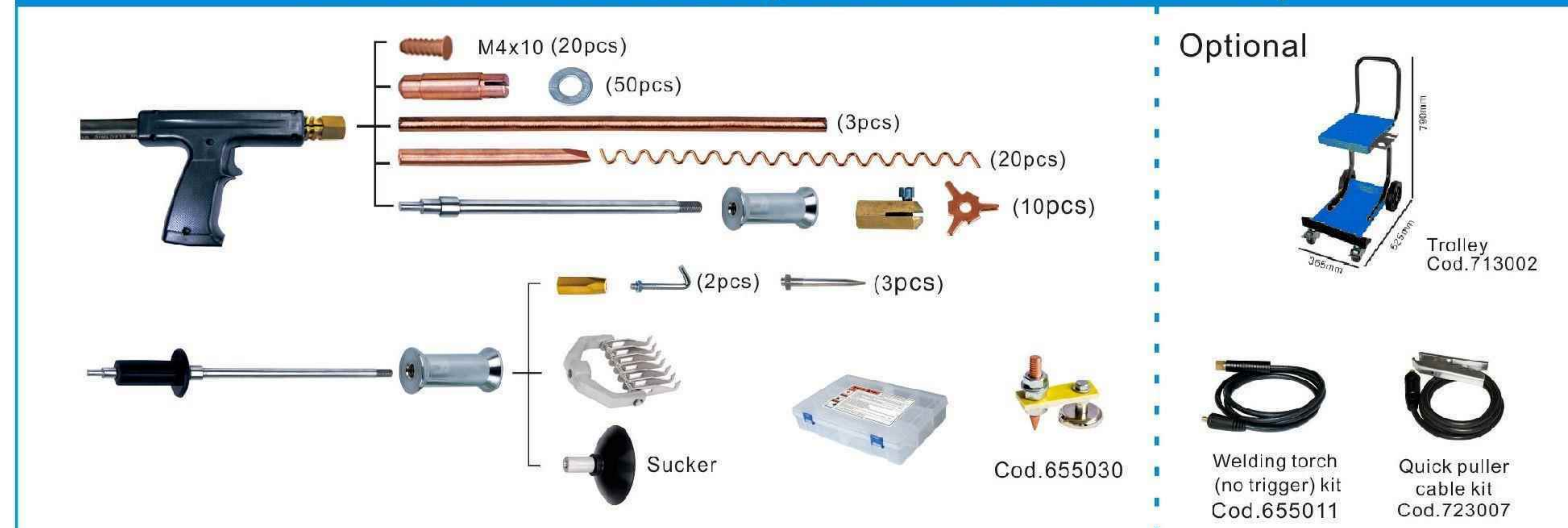


3230S



3230D

### Standard Accessories (3230D 3230S are same)



### Technical Data

Model	3230D	3230S
Input voltage(50/60Hz)	AC 110V/ 230V,50/60Hz	AC 110V/ 230V,50/60Hz
Charge voltage(V)	8.8V-9.2V	8.8V-9.2V
Max spot welding current(A)	1000A-2800A	1000A-2800A
Dimensions(mm)	L310 x W210 x H220	L310 x W210 x H220
Net weight(kg)	17.5	17.5

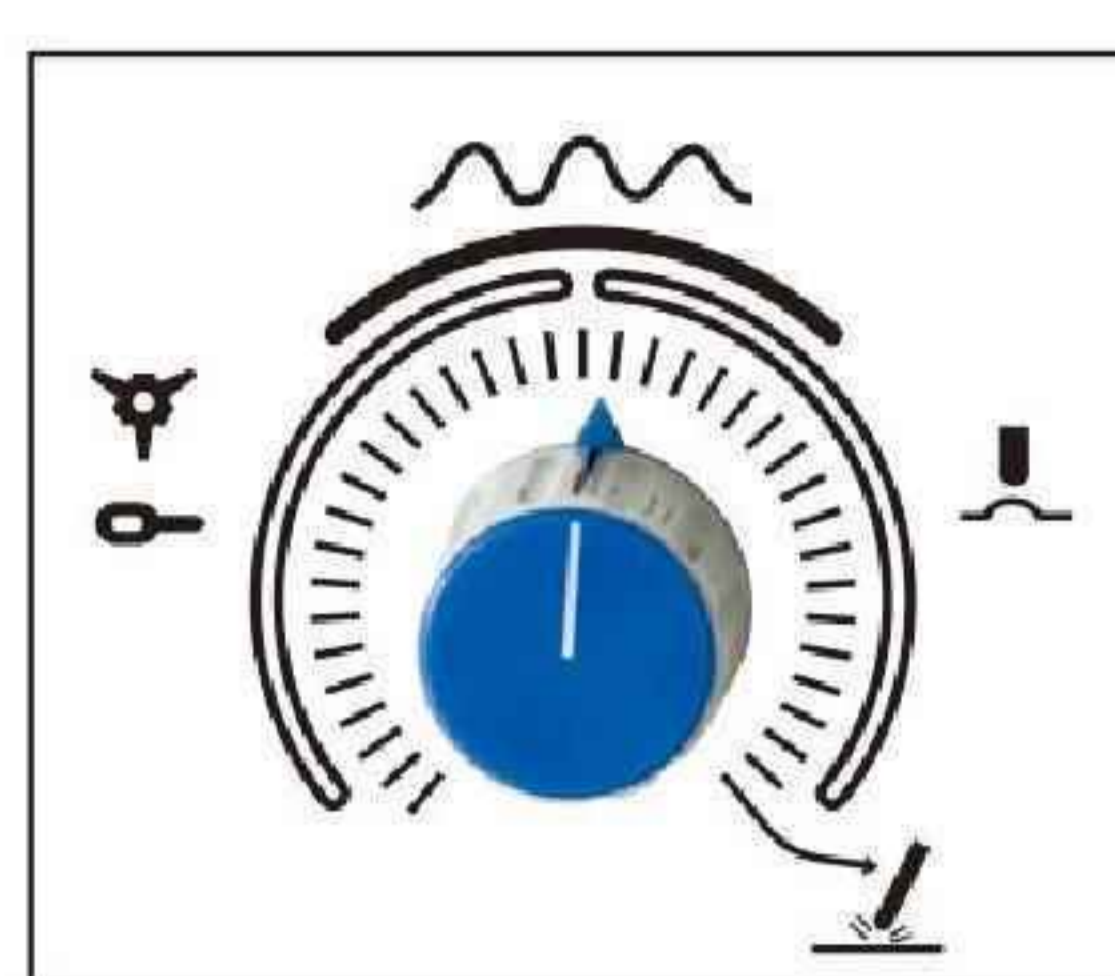
# Paint less Dent Repair iron

## SP 5110

Functions: washer welding, stub welding, carbon rod heating, partial heating, upsetting for car body.  
\*Thermal protection.

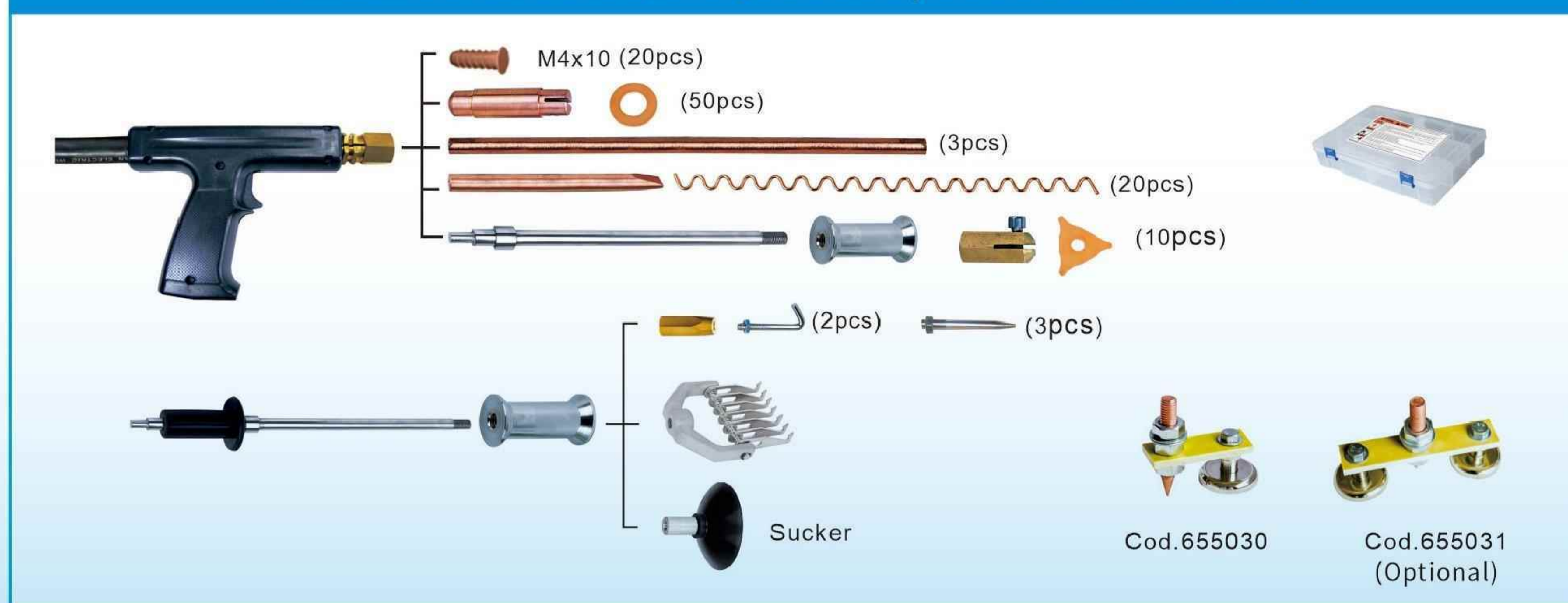


**SP 5110**



Technical Data		
Model	SP5110	SP6110
Input voltage(50/60Hz)	AC 110V/ 230V,50/60Hz	AC 110V/ 230V,50/60Hz
Charge voltage(V)	7.2V-9V	7.2V-9V
Max spot welding current(A)	3500A	3500A
Dimensions(mm)	L310 x W210 x H220	L400 x W240 x H240
Net weight(kg)	17.2	17.5
Input voltage can be customized		

### Standard Accessories (SP5110, SP6110 are same)



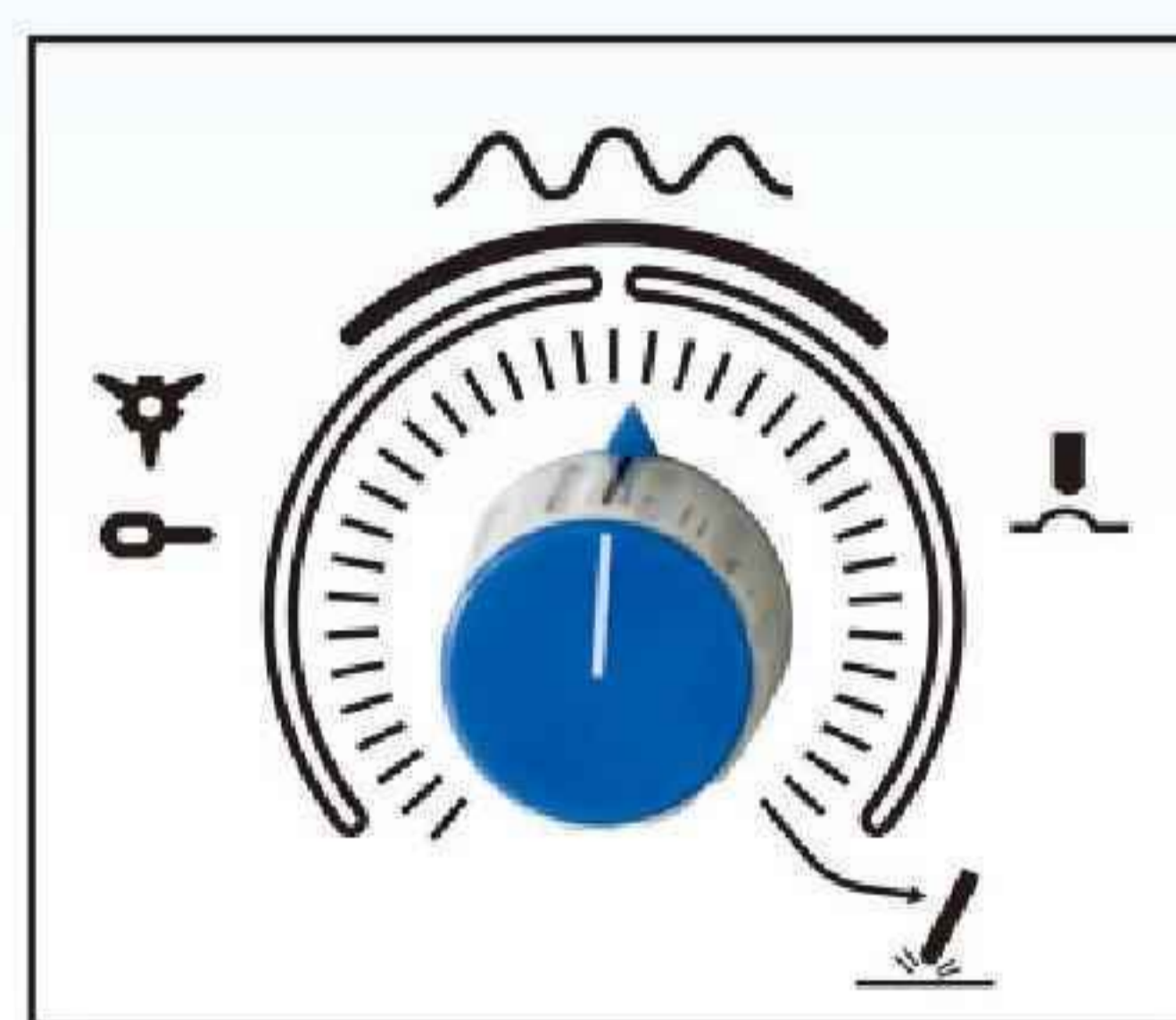
## Dent Puller

## SP 5110M

Functions: washer welding, stub welding, carbon rod heating, partial heating, upsetting for car body.  
\*Thermal protection.

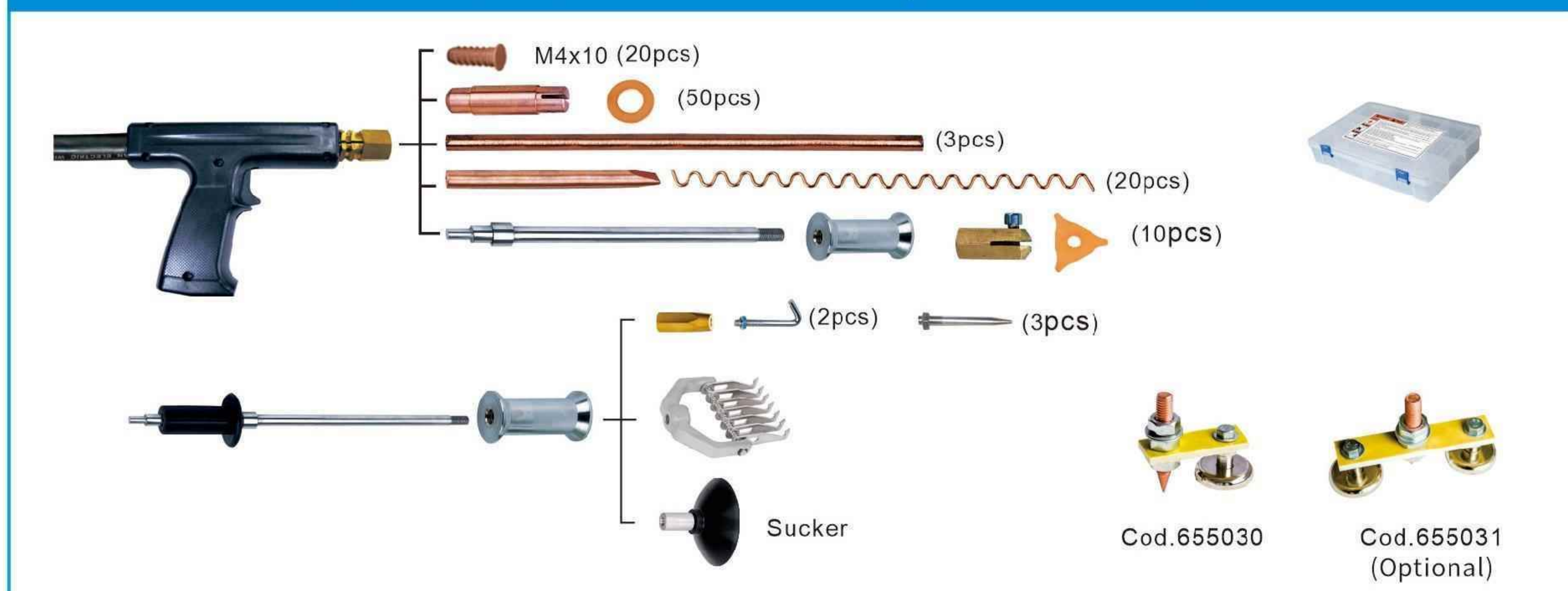


**SP5110M**



Technical Data		
Model	SP5110	SP6110
Input voltage(50/60Hz)	AC 110V/ 230V,50/60Hz	AC 110V/ 230V,50/60Hz
Charge voltage(V)	7.2V-9V	7.2V-9V
Max spot welding current(A)	3500A	3500A
Dimensions(mm)	L310 x W210 x H220	L400 x W240 x H240
Net weight(kg)	17.2	17.5
Input voltage can be customized		

### Standard Accessories (SP5110, SP6110 are same)



# Dent Puller

## Information

In the car collision repair, the car plate renovated repair occupy more than 50%, a suitable dent puller or Spot Welder play a decisive role for the effectiveness and efficiency.

SOLARY continues on researching, and developing vary car body plate renovated electric equipment. From portable dent puller to the aluminum spotter, and the inverter spotter, it has everything that you expected.

After repeated testing and researching in the spot welding transformer field, shows that the same diameter of copper wire and Aluminium wire, the output current of copper wire is higher 30% than Aluminium wire, and the spot point strength is higher 28% than the Aluminium wire's. Copper is particularly suitable for high-current supply, therefore, the best material for spot welding is copper. SOLARY persists in using copper wire to spot welding transformer to ensure the welding quality and high duty cycle.

## Car body spot welder operation demonstrate figure



# Dent Puller

## A3

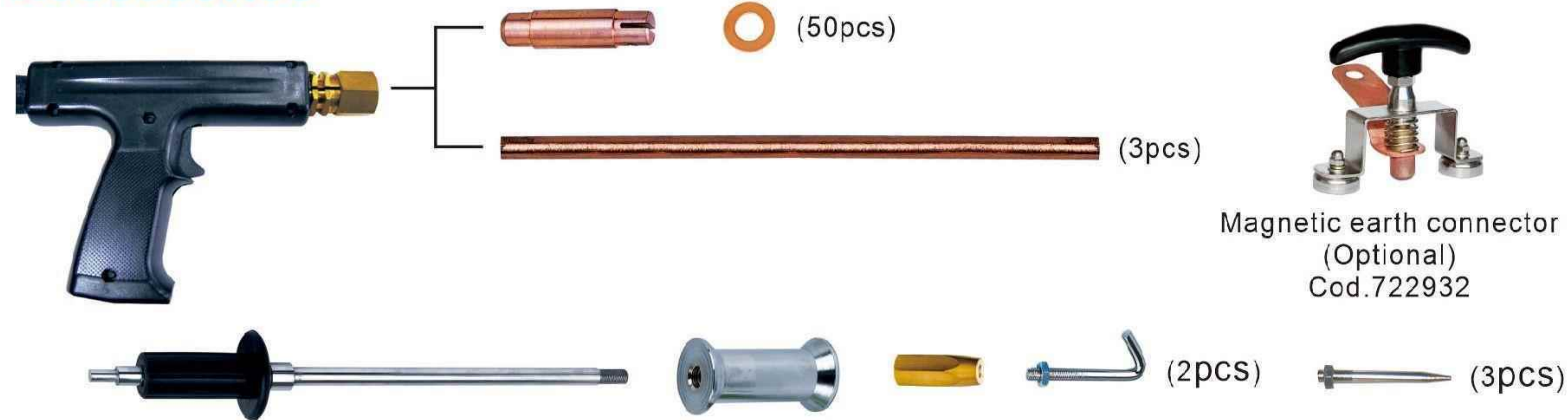
Suitable for washer welding, carbon rod heating, partial heating and tempering for car body dent.

- Superior, long life change over switch.
- Inner fan for heat dissipation.
- Automatic timing setting.
- Two-function welding tip.
- Handy welding gun.
- Copper transformer.
- Thermal protection.
- Compact, portable.



A3

### Accessories



### Technical Data

Model	A3	A4	A6
Input voltage(50/60Hz)	230V 1ph	230V 1ph	230V 1ph
Charge voltage(V)	8-9.5	7.8-9	7.8-9
Max spot welding current(A)	1300	1300	2000
Dimensions(mm)	400 x 280 x 280	L475xW340xH830	L475xW340xH830
Net weight(kg)	28.5	32	38
Input voltage can be customized			

## A6

Suitable for washer welding, direct spot-welding, carbon rod heating, partial heating and tempering for car body dent.

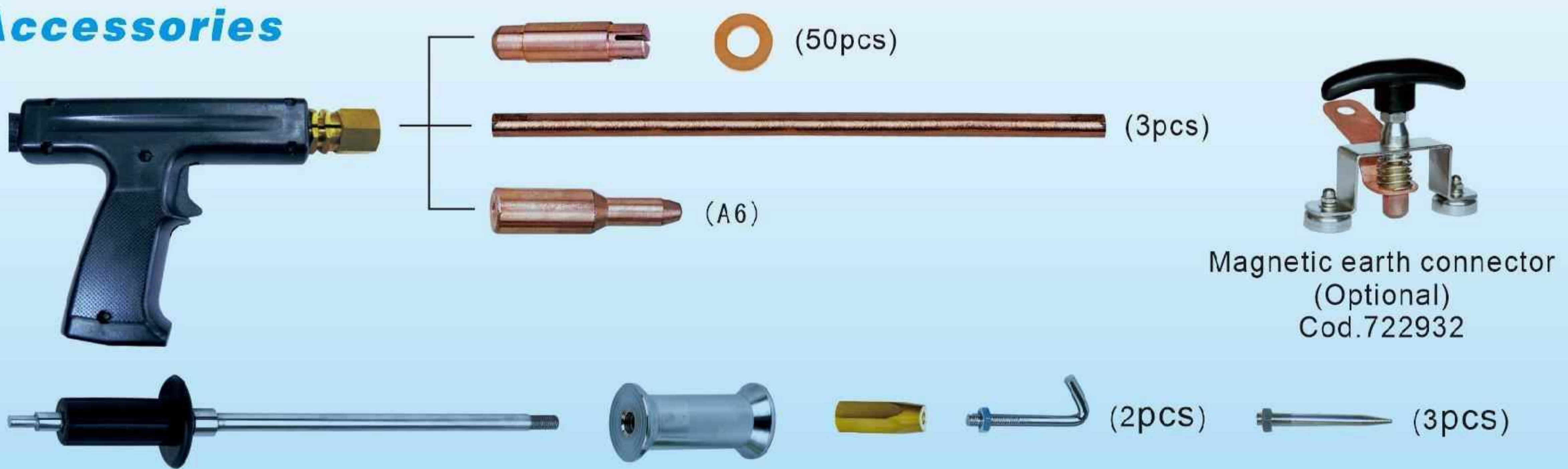
- • •
- A6: Equipped with sheet patching function, thickness capacity: 0.8mm.
- Superior, long life change over switch.
- Automatic timing setting.
- Handy welding gun.
- Two-function welding tip.
- Copper transformer.
- Thermal protection.



A6

The technical data at page 3.

## Accessories



## Dent Puller

## A3T

Functions: washer welding, carbon rod heating, partial heating and tempering for car body.

- • •
- When work on car top and narrow interior space, the main unit can be separated from the trolley.
- Automatic timing setting.
- Inner fan for heat dissipation.
- Copper transformer.
- Thermal protection.
- Compact, portable.

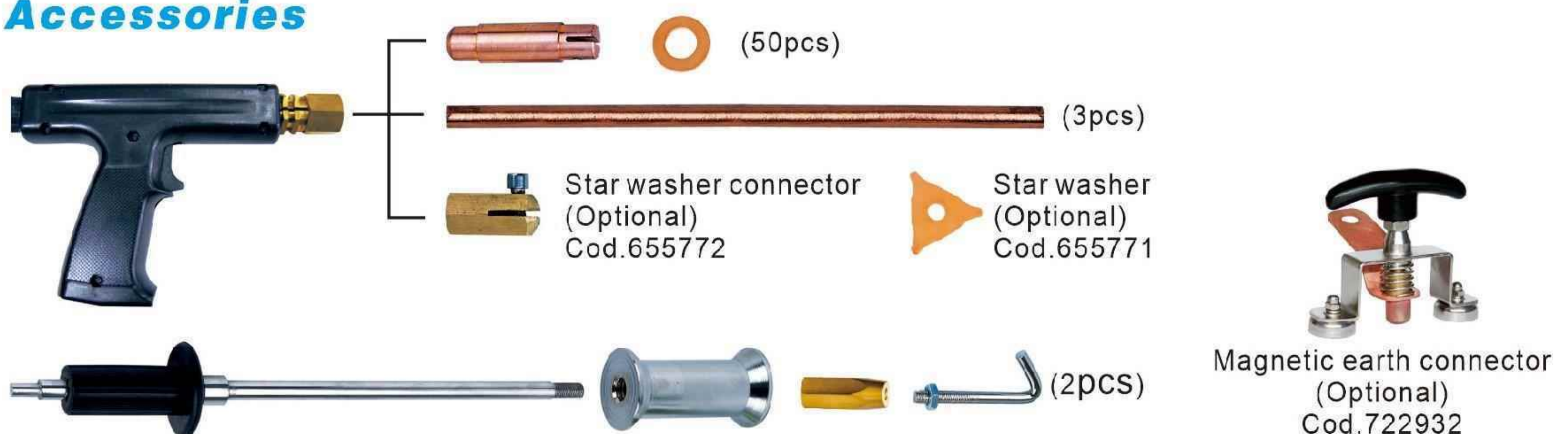


A3T



Model	A3T
Input voltage(50/60Hz)	230V 1ph
Charge voltage(V)	8-9.5
Max spot welding current(A)	1300
Dimensions(mm)	L580 x W360 x H810
Net weight(kg)	39
Input voltage can be customized	

## Accessories










# Spot Welder

## 4200

Suitable for welding washers, special washers, wriggle wire, rivets, sheet patching, carbon rod heating and shrinking.

-  Equipped with sucker to extract big dented area without damaging paint surface.
-  Copper transformer for high current output and heavy duty cycle.
-  View input voltage on the display meter.
-  Equipped with star washer for direct welding and pulling.
-  Automatic timing setting.



**4200**

### 4200 Standard Accessories








### Technical Data

Model	4200
Input(50/60Hz, 1ph)	230V 1ph; 400V 2ph
Output(V)	7.8-9
Max spot current(A)	4200
Max patch thickness(mm)	0.6
Dimensions(mm)	L560xW400xH950
Net weight(kg)	44
Input voltage can be customized	

# Spot Welder

## 9200

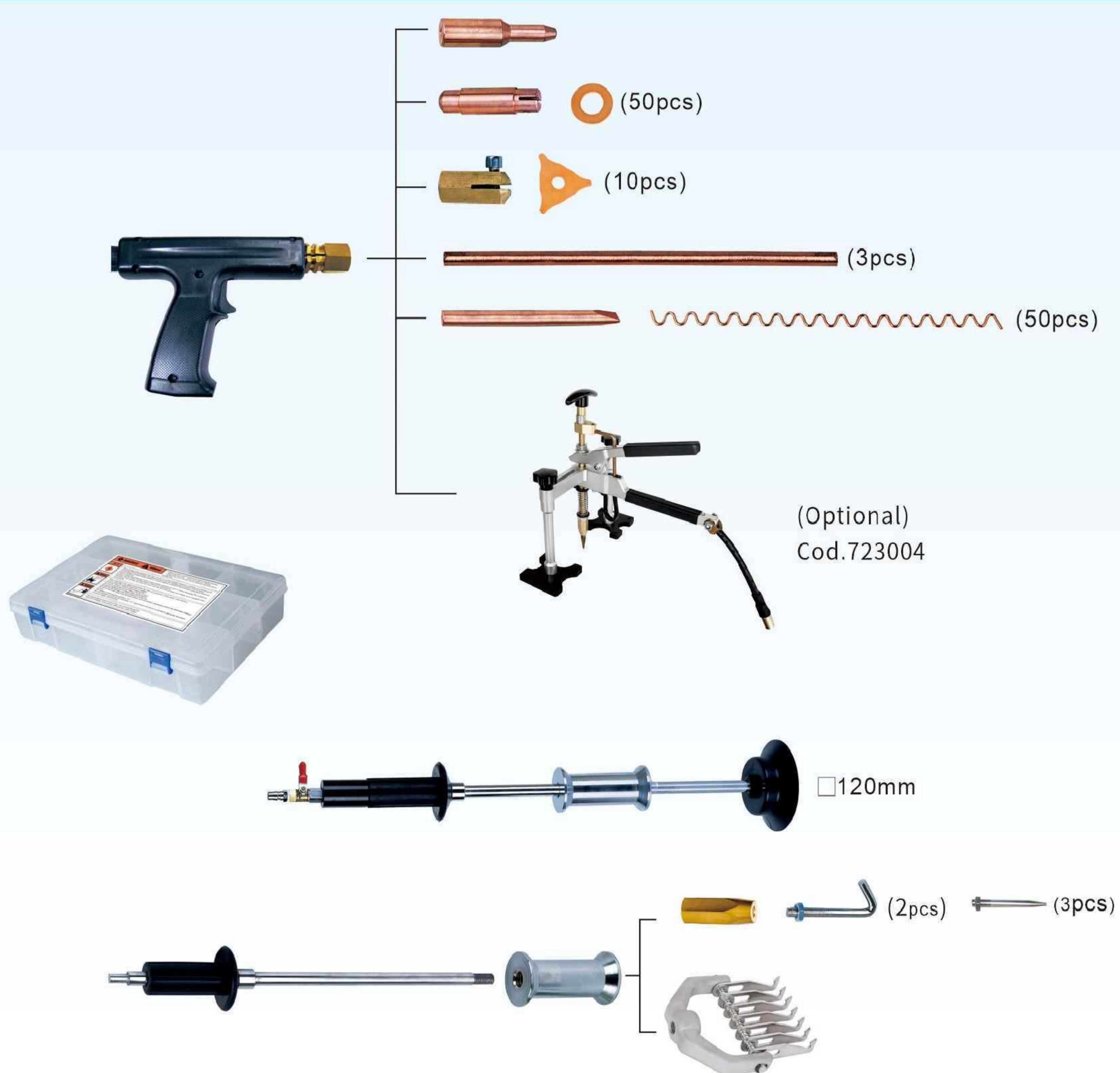
Suitable for welding washers, special washers, wriggle wire, rivets, sheet patching, carbon rod heating and shrinking.

-  • Equipped with sucker to extract big dented area without damaging paint surface.
-  • Copper transformer for high current output and high duty cycle.
-  • Equipped with input voltage meter for adjustment reference.
-  • Equipped with star washer for direct welding and pulling.
-  • Automatic timing setting.



**9200**

### 9200 Standard Accessories



### Technical Data

Model	9200
Input(50/60Hz)	400V 2ph
Output(V)	7.8-9
Max spot current(A)	4800
Max patch thickness(mm)	1.0
Dimensions(mm)	L440xW580xH1000
Net weight(kg)	67
Input voltage can be customized	